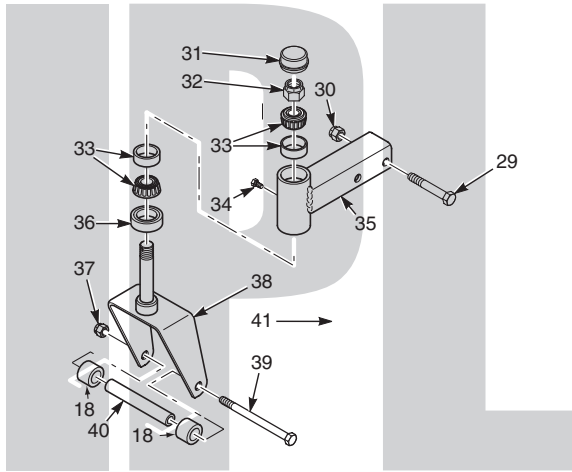


SCAG[®]

POWER EQUIPMENT



ILLUSTRATED PARTS MANUAL



Model SWZ Walk-Behind

THIS MANUAL CONTAINS THE ILLUSTRATED PARTS LIST FOR MODELS:

SWZ36A-481FS
SWZ48V-541FS
SWZ52V-600FS
SWZ-600FS
SWZ-651FSE

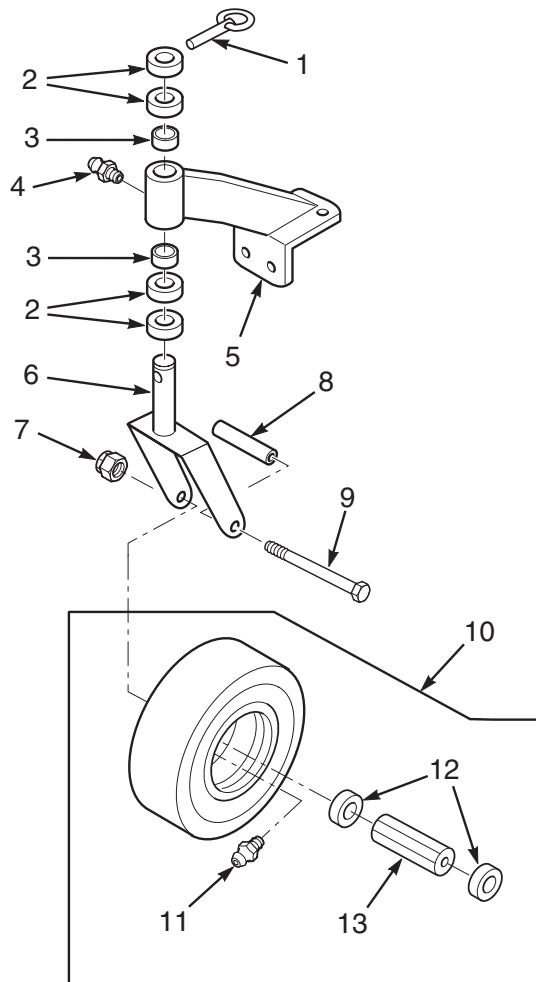
with a serial number of H2700001 to H2799999
with a serial number of H2800001 to H2899999
with a serial number of H2900001 to H2999999
with a serial number of H3300001 to H3399999
with a serial number of H3400001 to H3499999

Table of Contents

NOTES.....	2
CASTER ASSEMBLY.....	3
36A CUTTER DECK.....	4
48V & 52V CUTTER DECKS	6
61V CUTTER DECK.....	8
ENGINE DECK - MANUAL START	10
ENGINE DECK - ELECTRIC START	12
DRIVE AND BRAKE COMPONENTS.....	14
HANDLE ASSEMBLY - 16" SMALL FRAME	16
HANDLE ASSEMBLY - 20" LARGE FRAME	18
SWZ FUEL SYSTEM.....	20
HYDRAULIC ASSEMBLY.....	22
HYDRAULIC PUMP ASSEMBLY	24
WIRE HARNESSSES	26
REPLACEMENT DECALS AND INFORMATION PLATES	28

NOTES

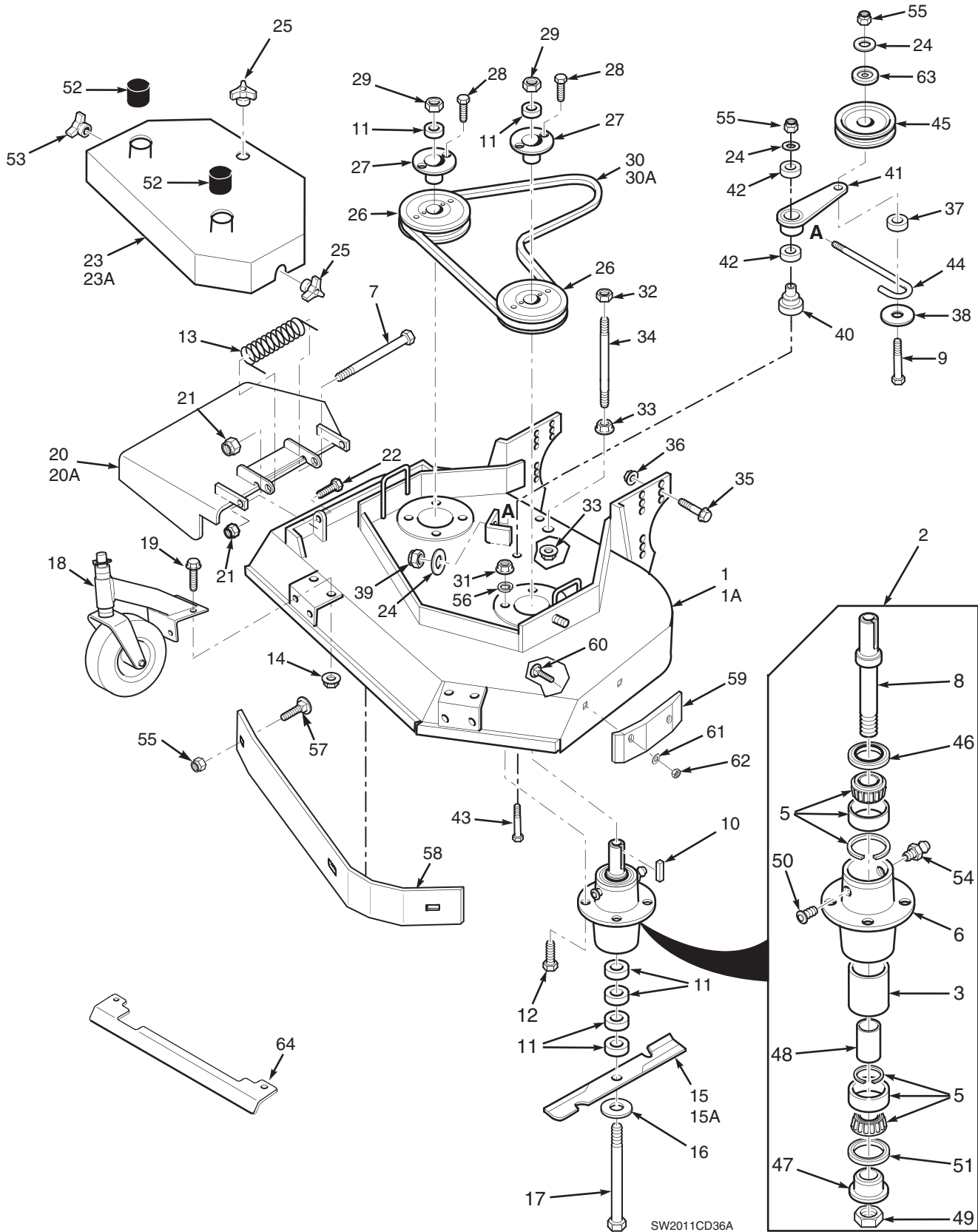
CASTER ASSEMBLY



SW-SWZ2006CSTR

Ref. No.	Part No.	Description
1	04066-01	Quick Pin
2	43037-01	Spacer, Spacer Yoke, 1/2" Long
3	48100-01	Bronze Bearing
4	48114-04	Greasing Fitting
5	46082	Support Assembly (Incl. #3 & #4)
6	45006	Caster Yoke
7	04021-07	Nut, Elastic Stop 1/2-13
8	43022	Sleeve, Caster Wheel Bearing
9	04001-37	Bolt, Hex Head 1/2-13 x 5-1/2"
10	9275	Flat-Free Tire Assy. (Incl. #11, #12, #13)
11	48114-03	Grease Fitting, 45 Degree 1/4-28
12	481770	Retainer, Caster Wheel Bearing
13	481769	Roller Bearing, Caster Wheel

36A CUTTER DECK



36A CUTTER DECK

Ref. No.	Part No.	Description	36	Ref. No.	Part No.	Description	36
1	461848	Cutter Deck w/Decals	x	36	04117-04	Nut, 1/2-13 Flange Elastic Stop	x
2	461663	Cutter Spindle Assembly	x	37	43277	Spacer, J-Hook	x
3	43312	Spacer, Outside	x	38	04041-12	Flatwasher, 3/8 x 1-1/2 x 16 GA	x
5	481022	Bearing, Tapered	x	39	04021-09	Elastic Stop Nut, 3/8-16	x
6	43644	Spindle Housing	x	40	43681	Idler Pivot	x
7	04001-154	Bolt, 5/16-18 x 4-3/4"	x	41	461841	Idler Arm Assy. (Inc. 42)	x
8	43589	Spindle Shaft	x	42	48224	Bearing	x
9	04001-51	Bolt, 3/8-16 x 3-3/4" Hex Head	x	43	04001-62	Cpscrw, 3/8-16 x 3-1/4" Hex Head	x
10	04063-08	Key, 1/4 x 1/4 x 2"		44	44078	J-Hook	x
11	43592	Spacer, Cutter Blade - Small	x	45	483215	Idler Pulley, Belt Clutch	x
12	04001-175	Bolt, 5/16-18 x 1-1/2" Hex Head Grade 8	x	46	481024	Seal, Cutter Spindle	x
13	482245	Spring, Chute Return	x	47	43297	Spindle Bushing	x
14	04019-03	Nut 5/16-18 Serrated Flange	x	48	43296	Spacer, Inside	x
15	481707	Cutter Blade, 18"	x	49	481035	Nut, 1.06-18	x
15A	481711	Cutter Blade, 18 Hi-Lift	x	50	48677	Relief Fitting, Cutter Spindle	x
16	04043-06	Flatwasher, 5/8 W	x	51	481025	Seal, Cutter Spindle	x
17	04001-41	Hex Hd. Bolt, 5/8-11 x 9-1/2"	x	52	484368	Cap, Spindle	x
18	461023	Caster Assembly	x	53	04029-04	Wing Nut, 3/8-16 (Small) RH side	x
19	04017-16	Cpscrw, 5/16-18 x 3/4" Ser.Flg. Hex Head	x	54	48114-04	Grease Fitting	x
20	461356	Discharge Chute	x	55	04021-09	Nut, Hex Elastic Stop 3/8-16	x
20A	*462469	CA Discharge Chute	x	56	04030-03	Lock Washer, 5/16"	x
	*425872	Turbo Baffle	x	57	04003-23	Bolt, Carriage 3/8-16 x 1"	x
21	04021-10	Hex Nut, 5/16-18 Elastic Stop	x	58	423783	Baffle Weldment	x
22	04001-09	Hex Hd Bolt, 5/16-18 x 1"	x	59	483174	Pad, Deck Wear	x
23	461709	Belt Cover Assy (Incl. Decal)	x	60	04003-12	Bolt, Carriage 5/16-18 x 3/4"	x
23A	461413	Belt Cover Assy (Incl. Decal)	x	61	04040-04	Flatwasher, 5/16"	x
24	04043-04	Flat Washer, 3/8" Special	x	62	04021-04	Hex Nut, 5/16-18 Center Locknut	x
25	04029-03	Wing Nut, 3/8-16	x	63	424367	Dust Shield	x
26	482744	Pulley	x	64	424661	Heatshield	x
27	48926	Tapered Hub	x				
28	04001-172	Hex Hd. Bolt, 1/4-20 x 1"	x				
29	04020-09	Hex Nut, 5/8-11	x				
30	48204	Belt, Blade Drive	x				
31	04021-22	Elastic Stop Nut, 5/16-18 Grade 8	x				
32	04021-05	Hex Nut, 3/8-16 Center Locknut	x				
33	04019-04	Nut, 3/8-16 Serrated Flange	x				
34	04004-02	Support, Belt Cover	x				
35	04017-36	Cpscrw, 1/2-13 x 1" Ser.Flg. HH	x				

* = California Models Only (not shown)

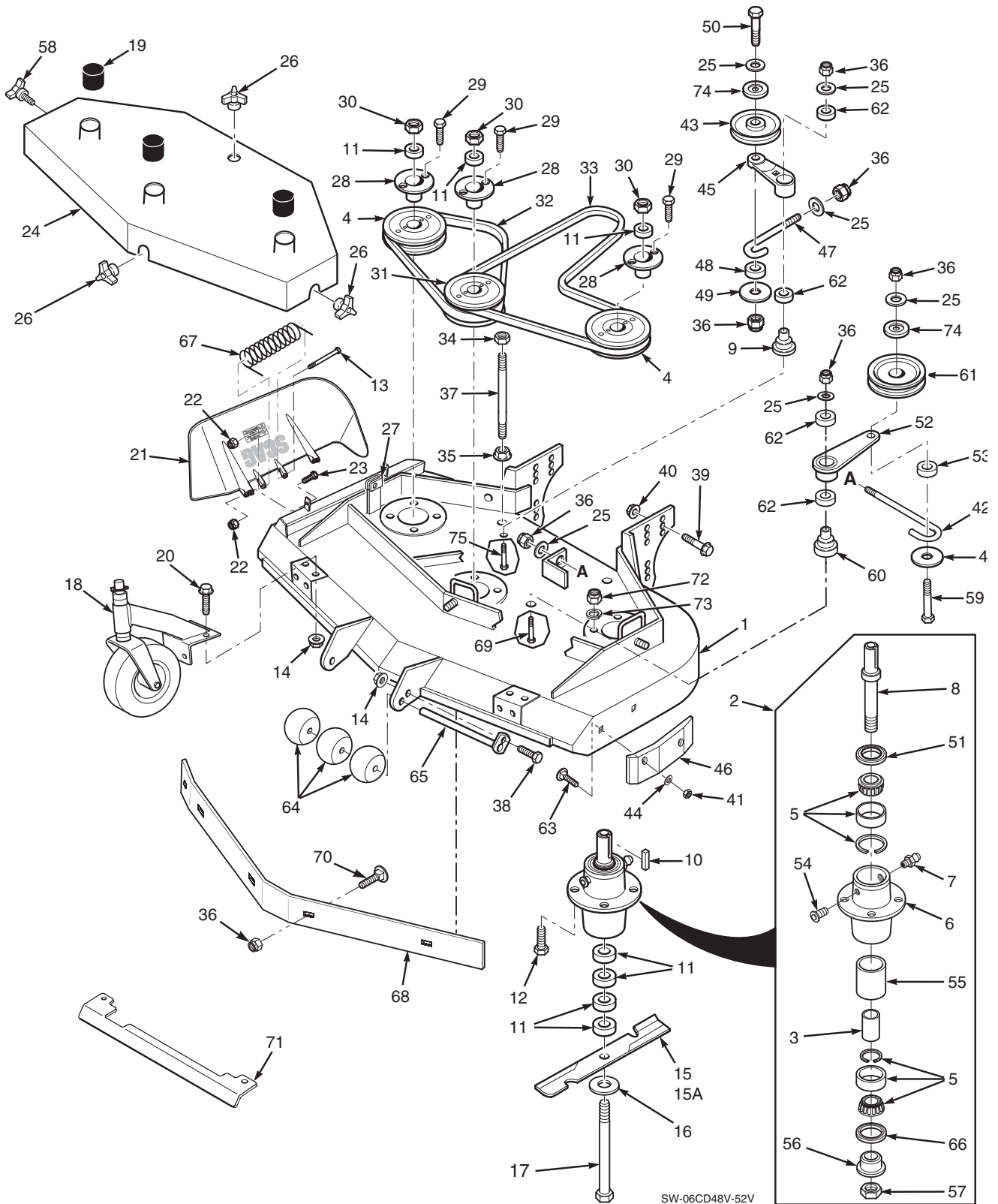
48V & 52V CUTTER DECKS

Ref. No.	Part No.	Description	48	52
1	461852	Cutter Deck w/Decals	x	
	461855	Cutter Deck w/Decals		x
2	461663	Spindle Assembly	x	x
3	43296	Spacer, Inside	x	x
4	482744	Pulley	x	x
5	481022	Tapered Bearing	x	x
6	43644	Spindle Housing	x	x
7	48114-04	Grease Fitting Str. 5/16"	x	x
8	43589	Spindle Shaft	x	x
9	43682	Idler Pivot	x	x
10	04063-08	Key, 1/4 x 1/4 x 2"	x	x
11	43592	Spacer, Cutter Blade - Small	x	x
12	04001-175	Bolt, 5/16-18 x 1-1/2" Hex Head Gr. 8	x	x
13	04001-154	Bolt, 5/16-18 x 4-3/4" Hex Head	x	x
14	04019-03	Serr. Flange Nut, 5/16-18	x	x
15	481706	Cutter Blade 16-1/2"	x	
	481707	Cutter Blade 18"		x
15A	481710	Cutter Blade 16-1/2 Hi-Lift	x	
	481711	Cutter Blade 18 Hi-Lift		x
16	04043-06	Flatwasher, 5/8" (.688 x 1.75 x .134)	x	x
17	04001-41	Hex Head Bolt, 5/8-11 x 9-1/2"	x	x
18	461023	Caster Assembly	x	x
19	484368	Cap, Spindle	x	x
20	04017-16	Capscrew, 5/16-18 x 3/4"	x	x
21	461844	Discharge Chute 48V	x	
	*462473	CA Discharge Chute, 48V	x	
	*425619	Turbo Baffle, 48V	x	
	461845	Discharge Chute 52V		x
	*462475	CA Discharge Chute, 52V	x	x
	*424211	Turbo Baffle, 52V		x
22	04021-10	Nut, 5/16-18 Elastic Elastic Stop	x	x
23	04001-11	Bolt, 5/16-18 x 1-1/2" Hex Head	x	x
24	462394	Belt Cover (Incl. decals)	x	
	462395	Belt Cover (Incl. decals)	x	x
25	04043-04	Flat Washer, 3/8" Special	x	x
26	04029-03	Wing Nut, 3/8-16 (Large)	x	x
27	04110-03	U-Nut, 3/8-16	x	x
28	48926	Tapered Hub		x
29	04001-172	Bolt, 1/4-20 x 1" Hex Head Grade 8	x	x
30	04020-09	Nut, 5/8-11 Hex	x	x
31	482748	Pulley, Double		x
32	48087	Belt, RH Blade Drive	x	
	48285	Belt, RH Blade Drive		x
33	48089	Belt, Blade Drive	x	
	483518	Belt, Blade Drive	x	x
34	04021-05	Nut, 3/8-16, Nut Centerlock	x	x
35	04019-04	Nut, 3/8-16, Serrated Flange	x	x
36	04021-09	Nut, 3/8-16 Elastic Stop	x	x
37	04004-02	Bolt, 5/16-18 x 1" Hex Head	x	x
38	04001-09	Bolt, 5/16-18 x 1" Hex Head		x
39	04017-36	Cpscrw, 1/2-13 x 1" Ser. Flg. HH	x	x
40	04117-04	Nut, 1/2-13 Flange El. Stop		x
41	04021-04	Hex Nut, 5/16-18 Center Locknut	x	x

Ref. No.	Part No.	Description	48	52
42	44078	J-Hook, 48V	x	
	43028	J-Hook, 52V		
43	48181	Idler Pulley, "V" Groove	x	x
44	04040-04	Flatwasher, 5/16"	x	x
45	461091	Idler Arm Assy. (Incl. 62)	x	x
46	483176	Pad, Deck Wear	x	x
47	43028	J-Rod, Idler Pulley	x	x
48	43077	Spacer, J-Rod	x	x
49	04041-12	Washer, 3/8 x 1-1/2 x 16 ga.	x	x
50	04001-31	Bolt, 3/8-16 x 2-1/2" Hex Head	x	x
51	481024	Seal, Cutter Spindle	x	x
52	461841	Idler Arm Assy (Includes 62)	x	x
53	43277	Spacer, J-Rod	x	x
54	48677	Reief Fitting, Cutter Spindle	x	x
55	43312	Spacer, Outside, Cutter Spindle	x	x
56	43297	Spindle Bushing	x	x
57	481035	Nut, Cutter Spindle	x	x
58	481625-01	Knob, w/stud	x	x
59	04001-51	Bolt, 3/8-16 x 3-3/4" Hex Head	x	x
60	43681	Idler Pivot	x	x
61	483215	Idler Pulley, Belt Clutch	x	x
62	48224	Bearing	x	x
63	04003-12	Bolt, Carriage 5/16-18 x 3/4"	x	x
64	482295	Guide Roller	x	x
65	45944	Roller Shaft	x	x
66	481025	Seal, Cutter Spindle	x	x
67	483378	Spring, Chute Return	x	x
68	424839	Baffle Weldment 48V	x	
	424840	Baffle Weldment 52V		x
69	04001-62	Bolt, 3/8-16 x 3-1/4" Hex Head	x	x
70	04003-23	Bolt, Carriage 3/8-16 x 1"	x	x
71	424661	Heatshield	x	x
72	04021-22	Nut, Hex Lock 5/16-18	x	x
73	04030-03	Lock Washer 5/16"	x	x
74	424367	Dust Shield	x	x
75	04001-22	Bolt, 3/8-16 x 2-3/4" Hex Head	x	x

* = California Models Only (not shown)

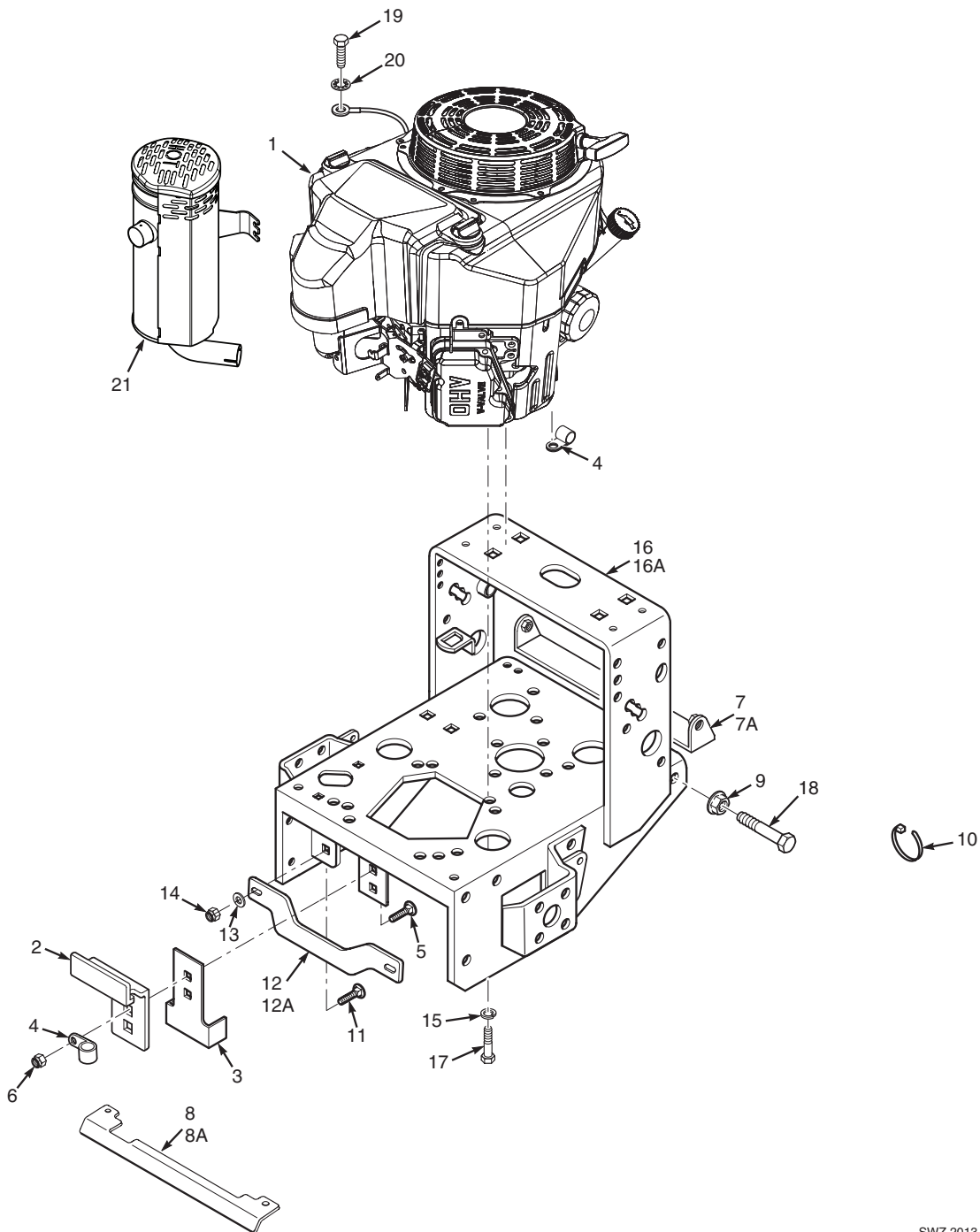
61V CUTTER DECK



61V CUTTER DECK

Ref. No.	Part No.	Description	Ref. No.	Part No.	Description
1	461860	Cutter Deck w/Decals	45	461091	Idler Arm Assy. (Incl. 62)
2	461663	Spindle Assembly	46	483176	Pad, Deck Wear
3	43296	Spacer, Inside	47	43028	J-Rod, Idler Pulley
4	482745	Pulley	48	43077	Spacer, J-Rod
5	481022	Tapered Bearing	49	04041-12	Washer, 3/8 x 1-1/2 x 16 ga.
6	43644	Spindle Housing	50	04001-31	Bolt, 3/8-16 x 2-1/2" Hex Head
7	48114-04	Grease Fitting Str. 5/16"	51	481024	Seal, Cutter Spindle
8	43589	Spindle Shaft	52	461841	Idler Arm Assy (Includes 62)
9	43682	Idler Pivot	53	43277	Spacer, J-Rod
10	04063-08	Key, 1/4 x 1/4 x 2"	54	48677	Reief Fitting, Cutter Spindle
11	43592	Spacer, Cutter Blade - Small	55	43312	Spacer, Outside, Cutter Spindle
12	04001-175	Bolt, 5/16-18 x 1-1/2" Hex Head Gr. 8	56	43297	Spindle Bushing
13	04001-154	Bolt, 5/16-18 x 4-3/4" Hex Head	57	481035	Nut, Cutter Spindle
14	04019-03	Serr. Flange Nut, 5/16-18	58	481625-01	Knob, w/stud
15	481708	Cutter Blade 21"	59	04001-51	Bolt, 3/8-16 x 3-3/4" Hex Head
15A	481712	Cutter Blade 21" Hi-Lift	60	43681	Idler Pivot
16	04043-06	Flatwasher, 5/8" (.688 x 1.75 x .134)	61	483215	Idler Pulley, Belt Clutch
17	04001-41	Hex Head Bolt, 5/8-11 x 9-1/2"	62	48224	Bearing
18	461023	Caster Assembly	63	04003-12	Bolt, Carriage 5/16-18 x 3/4"
19	484368	Cap, Spindle	64	482295	Guide Roller
20	04017-16	Capscrew, 5/16-18 x 3/4"	65	45944	Roller Shaft
21	461846	Discharge Chute 61V	66	481025	Seal, Cutter Spindle
22	04021-10	Nut, 5/16-18 Elastic Elastic Stop	67	483378	Spring, Chute Return
23	04001-11	Bolt, 5/16-18 x 1-1/2" Hex Head	68	424841	Baffle Weldment 61V
24	461868	Belt Cover (Incl. decals)	69	04001-62	Bolt, 3/8-16 x 3-1/4" Hex Head
25	04043-04	Flat Washer, 3/8" Special	70	04003-23	Bolt, Carriage 3/8-16 x 1"
26	04029-03	Wing Nut, 3/8-16 (Large)	71	424730	Heatshield
27	04110-03	U-Nut, 3/8-16	72	04021-22	Nut, Hex Lock 5/16-18
28	48926	Tapered Hub	73	04030-03	Lock Washer 5/16"
29	04001-172	Bolt, 1/4-20 x 1" Hex Head Grade 8	74	424367	Dust Shield
30	04020-09	Nut, 5/8-11 Hex	75	04001-22	Bolt, 3/8-16 x 2-3/4" Hex Head
31	48940	Pulley, Double			
32	48265	Belt, RH Blade Drive			
33	48088	Belt, Blade Drive			
34	04021-05	Nut, 3/8-16, Nut Centerlock			
35	04019-04	Nut, 3/8-16, Serrated Flange			
36	04021-09	Nut, 3/8-16 Elastic Stop			
37	04004-02	Bolt, 5/16-18 x 1" Hex Head			
38	04001-09	Bolt, 5/16-18 x 1" Hex Head			
39	04017-36	Cpscrw, 1/2-13 x 1" Ser.Flg. HH			
40	04117-04	Nut, 1/2-13 Flange Elastic Stop			
41	04021-04	Hex Nut, 5/16-18 Center Locknut			
42	44078	J-Hook, 61V			
43	48181	Idler Pulley, "V" Groove			
44	04040-04	Flatwasher, 5/16"			

ENGINE DECK - MANUAL START

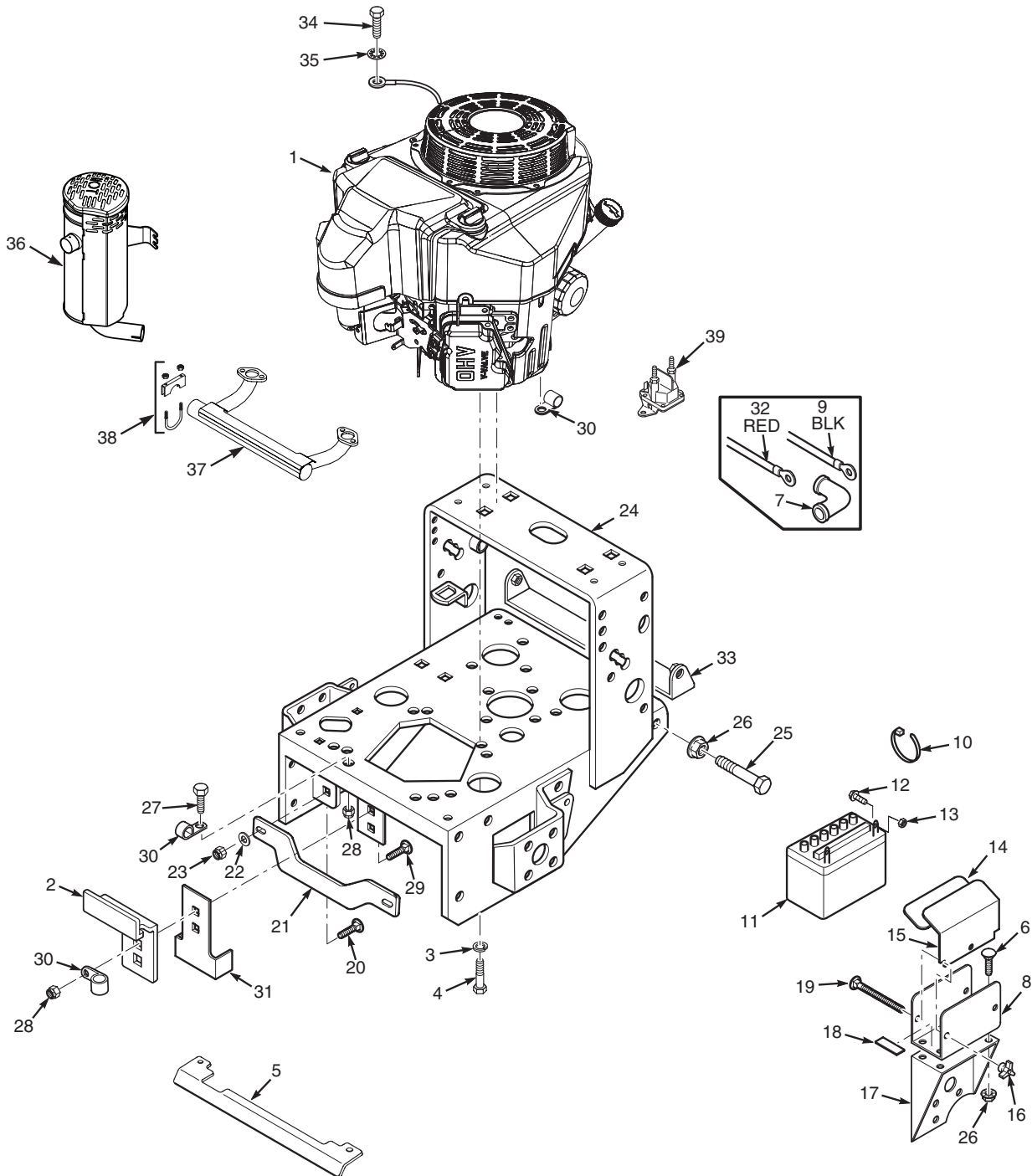


SWZ 2013 EDMAN

ENGINE DECK - MANUAL START

Ref. No.	Part No.	Description
1	484408	Engine, Kawasaki FS481V
	484409	Engine, Kawasaki FS541V
	484410	Engine, Kawasaki FS600V
2	424620	Plate, Clutch Bracket
3	421370	Clutch Bracket
4	48030-09	Clamp
5	04003-04	Bolt, Carriage 5/16-18 x 1"
6	04021-10	Nut, 5/16-18 Elastic Stop
7	45418	Pulley Guard, 16" Small Frame
7A	45419	Pulley Guard, 20" Large Frame
8	424661	Heatshield, 16" Small Frame
8A	424730	Heatshield, 20" Large Frame
9	04019-03	Nut, 5/16-18 Serr. Flange
10	48028-05	Cable Tie
11	04003-11	Bolt, Carriage 3/8-16 x 1-1/4"
12	424002	Brace, 16" Small Frame
12A	424009	Brace, 20" Large Frame
13	04043-04	Flatwasher, .391 x .938 x .105
14	04021-09	Nut, 3/8-16 Elastic Stop
15	04030-04	Lockwasher, 3/8"
16	462287	Engine Deck, 16" Wide w/Decals
16A	462288	Engine Deck, 20" Wide w/Decals
17	04001-32	Bolt, Hex Head 3/8-16 x 1-1/4"
18	0400-17	Bolt, 5/16-18 x 2" Hex Head
19	04002-06	Bolt, Hex Head M8-1.25 x 16
20	04031-03	Lockwasher, 5/16" Ext. Tooth
21	484620	Muffler, Kawasaki FS/FX

ENGINE DECK - ELECTRIC START

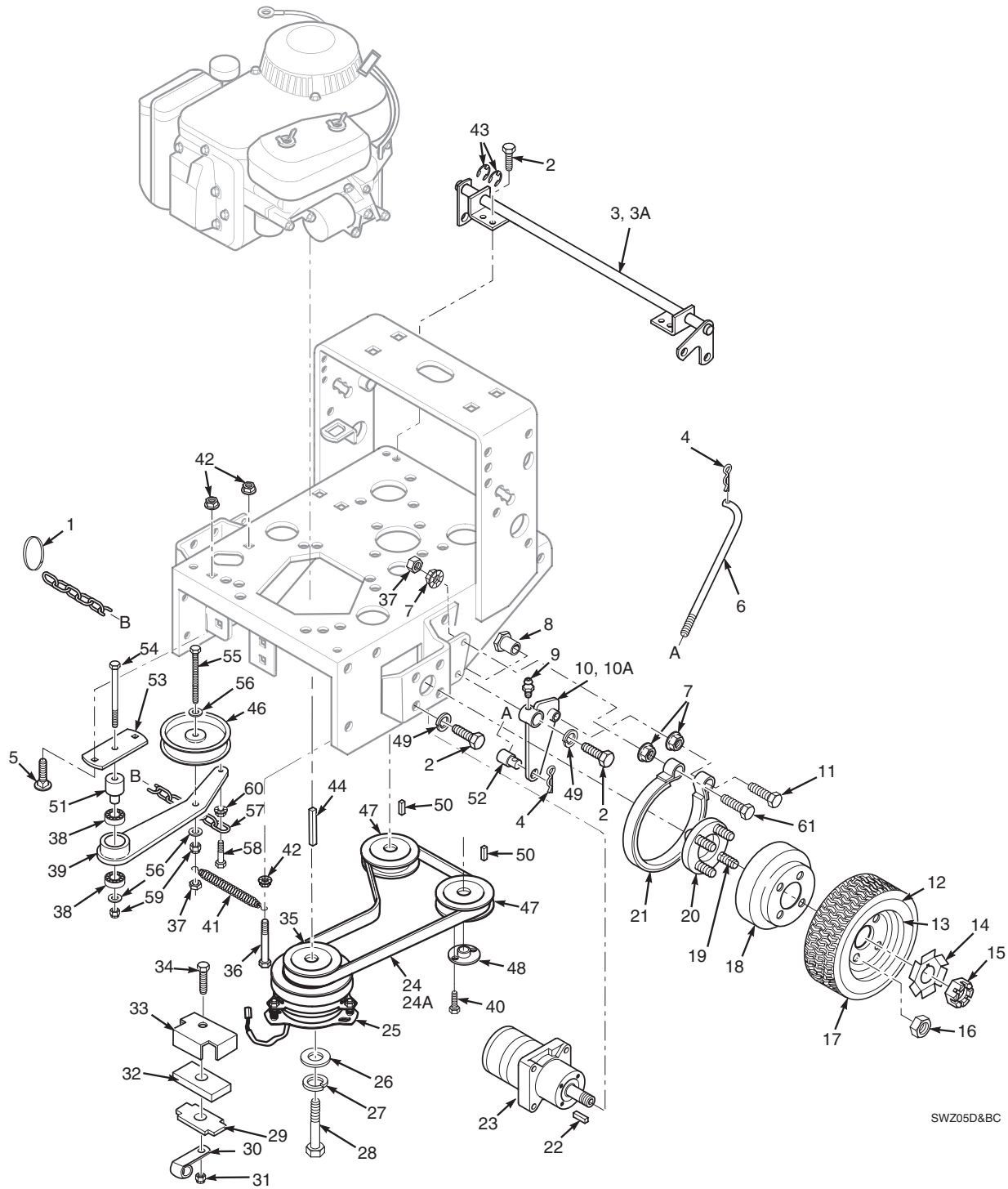


SWZ 2013 EDELCT

ENGINE DECK - ELECTRIC START

Ref. No.	Part No.	Description
1	484411	Engine, Kawasaki FS651V
2	424620	Plate, Clutch Bracket
3	04030-04	Lock Washer 3/8"
4	04001-32	Bolt, Hex Head 3/8-16 x 1-1/4"
5	424730	Heatshield, 20" Large Frame
6	04003-12	Carriage Bolt, 5/16-18 x .75"
7	48126	Rubber Boot
8	423308	Battery Box
9	48029-14	Battery Cable, 31.5" Black
10	48028-05	Cable Tie
11	**	Battery (Not Available Through Scag)
12	04001-44	Bolt, 1/4-20 x 1/2"
13	04020-02	Nut, 1/4-20
14	48099	Pad
15	42392	Battery Cover
16	04029-01	Wing Nut, 1/4-20
17	423746	Battery Support
18	48661	Pad, Rubber
19	04003-01	Bolt, 1/4-20 x 6" Carriage
20	04003-11	Carriage Bolt, 3/8-16 X 1-1/4"
21	424009	Brace, 20" Large Frame
22	04043-04	Flat Washer .391 x .938 x .105
23	04021-09	Nut, 3/8-16 Elastic Stop
24	462288	Engine Deck, 20" Wide, w/decals
25	04001-17	Bolt, 5/16-18 x 2" Hex Head
26	04019-03	Nut, 5/16-18 Serr. Flange
27	04001-08	Hex Head Bolt, 5/16-18 x .75"
28	04021-10	Nut, 5/16-18 Elastic Stop
29	04003-04	Carriage Bolt, 5/16-18 x 1"
30	48030-09	Clamp
31	421370	Clutch Bracket
32	48029-13	Battery Cable, 25" Red
	48029-06	Battery Cable, 18" Red
33	45419	Pulley Guard, 20" Frame
34	04002-06	Bolt, Hex Head M8-1.25 x 16
35	04031-03	Lockwasher, 5/16" Ext. Tooth
36	484326	Muffler
37	484327	Exhaust Manifold
38	481259	Clamp, Muffler 1-1/4" Dia.
39	483278	Solenoid

DRIVE AND BRAKE COMPONENTS



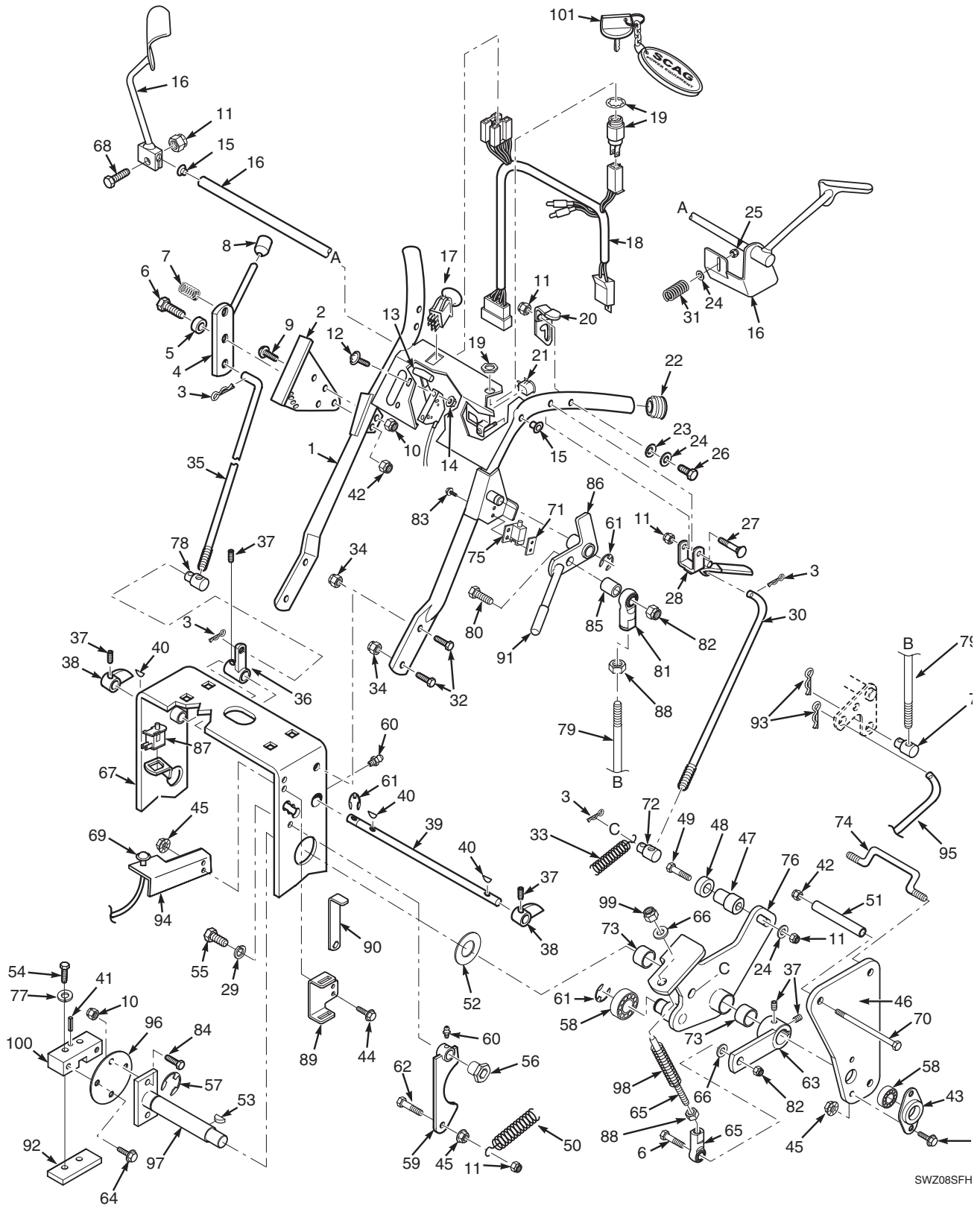
SWZ05D&BC

Section 8

DRIVE AND BRAKE COMPONENTS

Ref. No.	Part No.	Description
1	481876	Ring, Split
2	04001-19	Bolt, 3/8-16 x 1" Hex Head
3	45842	Brake Shaft Assembly Weldment, 16" Small Frame
3A	45854	Brake Shaft Assembly Weldment, 20" Large Frame
4	04062-01	Hair Pin Cotter, .094 x 1.62
5	04003-12	Carrage Bolt, 5/16-18 x .75"
6	44126	Rod, Brake Lower
7	04019-04	Nut, 3/8-16 Serr. Flange
8	43415	Bushing, Brake
9	48114-05	Grease Fitting
10	45860	Brake Actuator Weldment-LH
10A	45861	Brake Actuator Weldment-RH
11	04001-46	Bolt, 3/8-16 x 2-1/4"
12	481618	Tire, 16 x 6.50, 4 ply
13	481890	Rim Assy
14	422214	Lock Washer, Wheel Motor
15	48679	Hex Castle Nut, 3/4-28 UNEF
16	04028-02	Nut, Lug
17	481502	Wheel Assy., (incl. 12,13)
18	422215	Brake Drum
19	04008-01	1/2-20 Serrated Bolt
20	46928	Hub, Wheel
21	481470	Brake Band, 7.5"
22	04063-07	Key, 3/16 X .75 Woodruff
23	481416	Wheel Motor
24	48553	Belt, Pump Drive, 16" Small Frame
24A	48587	Belt, Pump Drive, 20" Large Frame
25	461397	Electric Clutch
26	04041-28	Flat Washer .469 x 1.75 x .25
27	04030-05	Lock Washer, 7/16"
28	04102-05	Hex Head Bolt, 7/16-20 x 2-3/4"
29	422534	Plate, Backing
30	48030-09	Clamp
31	04021-10	Nut, 5/16-18 Elastic Stop
32	481716	Rubber Pad, Clutch Stop
33	422533	Retainer, Clutch Stop
34	04001-12	Hex Head Bolt, 5/16-18 x 1.75"
35	482755	Pulley, Pump Drive Engine
36	04001-13	Hex Head Bolt, 5/16-18 x 2.75"
37	04021-05	Nut, 3/8-16 Center Lock
38	48224	Ball Bearings
39	461783	Idler Arm Weldment, Pump (incl. 38)
40	04001-172	Bolt, Hex Head 1/4-20 x 1" Grd 8
41	481835	Spring, Pump Belt Idler
42	04019-03	Nut, 5/16-18 Serr. Flange
43	04050-02	Retaining Ring, 3/4" Ext. "E"
44	04063-29	Key, 1/4x1/4 x 3.75"
45	04041-07	Flat Washer, 3/8"
46	483213	Pulley, Idler 4.5"
47	482649	Pulley, Pump Shaft
48	482085	Tapered Hub
49	04030-04	Lockwasher, 3/8"
50	04063-14	Key, 5.0 x 5.0 x 25mm
51	43504	Pivot, Idler (Long)
52	43032	Swivel Joint
53	422713	Base, Idler Pivot
54	04001-54	Bolt, Hex Head 3/8-16 x 3"
55	04001-161	Bolt, Hex Head 3/8-16 x 2.75"
56	04043-04	Flatwasher 3/8"
57	481873	Chain
58	04001-59	Bolt, Hex Head 1/4-20 x 1.25"
59	04021-09	Nut, Hex Elastic Stop 3/8-16
60	04019-02	Nut, Serrated Flange 1/4-20
61	04001-151	Bolt, Hex Head 3/8-16 x 2.63"

HANDLE ASSEMBLY - 16" SMALL FRAME

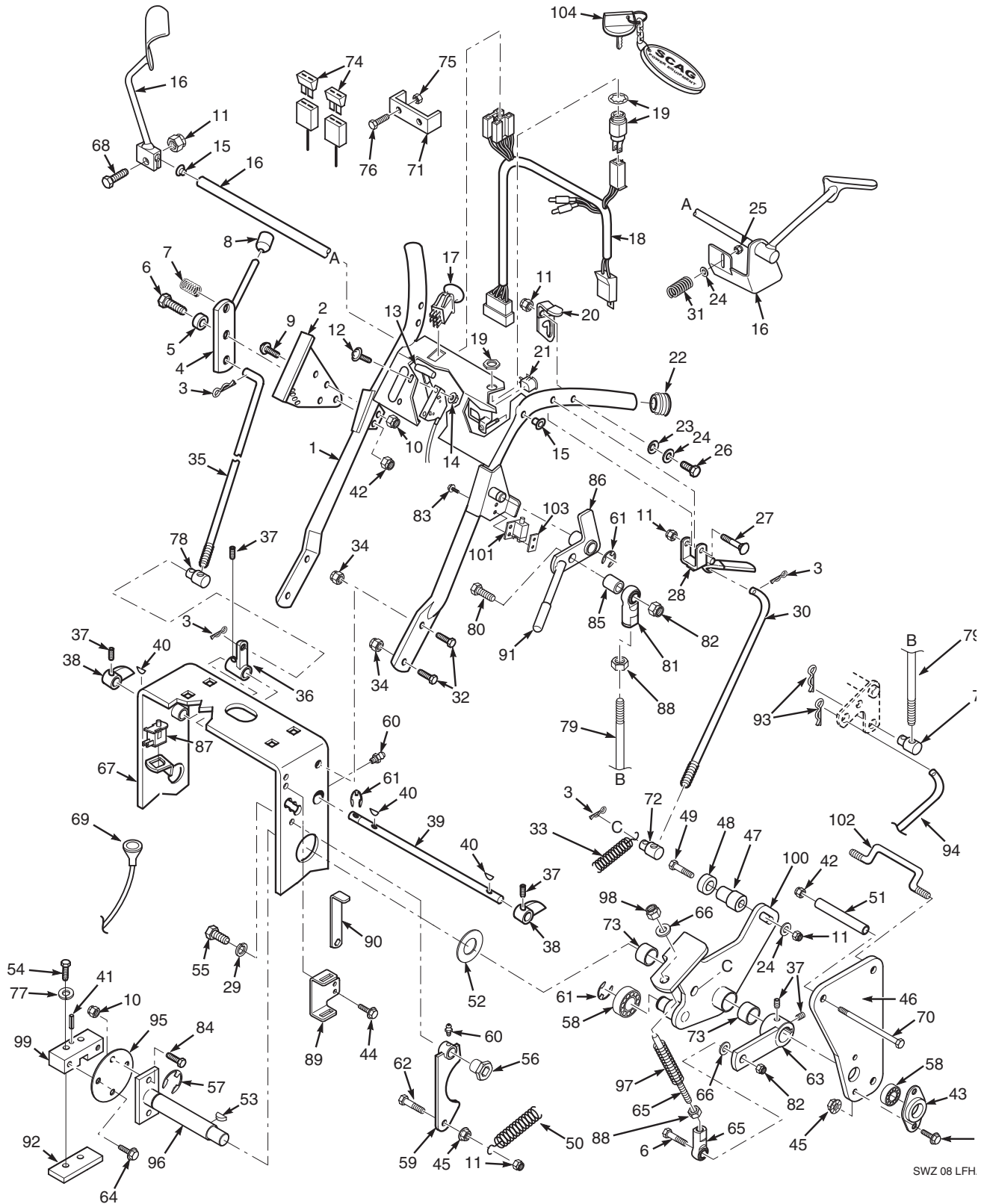


SWZ08SFH

HANDLE ASSEMBLY - 16" SMALL FRAME

Ref. No.	Part No.	Description	Ref. No.	Part No.	Description
1	461976	Upper Handle W/mt. W/Decals	53	04063-07	Key, Woodruff, 3/16 x .75
2	42675	Quadrant, Speed Control	54	04001-59	Bolt, Hex Head, 1/4-20 x 1.25"
3	04062-02	Hairpin, .094 x 1.19	55	04001-19	Bolt, Hex Head, 3/8-16 x 1"
4	45282	Lever, Speed Adjustment	56	43415	Bushing, Brake
5	43086	Bushing, Speed Adjustment Lever	57	04050-02	Clip, Retaining .750 diameter
6	04001-20	Hex Head Bolt, 3/8-16 x 1.5"	58	48224	Bearing, Ball Neutral Return
7	48493-01	Ball Plunger	59	46747	Cam, Neutral (incl. grease ftng.)
8	48092	Knob, Speed Adjustment	60	48114-05	Grease Fitting, 1/4-28 UNF
9	04014-01	Capscrew, 1/4-20 x 3/4" FHHS	61	04050-01	Retaining Ring, 5/8"
10	04021-08	Nut, 1/4-20 Elastic Stop	62	04001-09	Hex Head Bolt, 5/16-18 x 1"
11	04021-10	Nut, 5/16-18 Elastic Stop	63	483414	Lever, Speed Control
12	04010-01	Screw, #10-32 x 1/2" PW HD	64	04017-05	Bolt, Hex Head 1/4-20 x .75"
13	48946	Throttle Control	65	482431	Linkage Assembly
14	04019-01	Nut, #10-32 Serr. Flange	66	04041-07	Flat Wshr., 15/16 x .3906 x 12 ga
15	483142	Bushing	67	462287	Deck, Engine 16" Wide
16	451917	Handle, Oper. Presence-RH	68	04001-10	Hex Head Bolt, 5/16-18 x 1.25"
	451915	Handle, Oper. Presence-LH	69	482314	Choke Control
17	483957	Switch, Electric Clutch Engage	70	04001-152	Bolt, Hex Head 3/8-16 x 4.25"
18	482686	Wire Harness, Manual Start	71	422373	Plate, Threaded
19	48609	Key Switch, Manual Srt. (inc. Hdw)	72	43520	Swivel Joint, Steering Rod
20	461242	Neutral Latch-RH	73	48100-06	Bushing
	461241	Neutral Latch-LH	74	44144	Rod, Offset
21	48717	Switch, Neutral Interlock	75	481545	Switch, Parking Brake
22	483161	Plug, Handlebar	76	461964	Control, LH (inc. bush. & decal)
23	04032-01	Washer, Curved Spring		461965	Control, RH (inc. bush. & decal)
24	04040-15	Flat Washer	77	04030-02	Lockwasher, 1/4"
25	04021-10	Nut, 5/16-18 Elastic Stop	78	43032	Swivel Joint
26	04001-17	Hex Head Bolt, 5/16-18 x 2"	79	44143	Rod, Brake Lever
27	04001-53	Hex Hd. Bolt, 5/16-18 x 2.5"	80	04001-45	Hex Hd. Bolt, 3/8-16 x 2"
28	483160	Lever, Steering Control	81	48464	Ball Joint, RH Thread
29	04030-04	Lockwasher, 3/8 Spring	82	04021-09	Nut, 3/8-16 Elastic Stop
30	44141	Rod, Steering Control	83	04010-12	Screw #10-32 Slt'd Hex Wshr Hd
31	483040	Spring, Operator Presence	84	04001-01	Bolt, 1/4-20 x .75"
32	04017-27	Capscrew, 3/8-16 x 1" Ser. Flange	85	43286	Spacer
33	483470	Spring	86	461605	Parking Brake Lever with Grip
34	04019-04	Nut, 3/8-16 Serr. Flange	87	48717	Switch, Safety
35	44142	Rod Speed Control	88	04020-14	Nut, 3/8-24
36	451562	Bellcrank, Speed Control	89	423876	Mounting Bracket, Wrench
37	04012-02	Setscrew, 1/4-28 x .25"	90	423875	Wrench
38	46335	Cam, Speed Control (incl. 37)	91	48342	Grip, Parking Brake
39	43166	Jackshaft, Speed Control	92	421203	Plate, Threaded
40	04063-13	Key, 1/8 x 1/2" Woodruff	93	04062-01	Hairpin, .094 x 1.62"
41	04060-06	Roll Pin, 3/16-.75	94	424113	Bracket, Choke Mtg.
42	04021-10	Nut, Elastic Stop 3/8-16	95	44126	Rod, Lower Brake
43	48223	Flange, Bearing	96	422273	Plate, Coupler
44	04017-17	Capscrew, 5/16-18 x 1" Serr. Flg.	97	451113	Shaft, Pump Control
45	04019-03	Nut, 5/16-18 Serrated Flange	98	481879	Spring
46	422795	Plate, Side	99	04021-09	Nut, 3/8-16 Elastic Stop
47	43536	Spacer, Neutral Bearing	100	48829	Block, Pump Control
48	48409	Bearing, Speed Ctrl. Bellcrank	101	462069	Key Chain with Keys
49	04001-69	Hex Head Bolt, 5/16-18 x 1-3/4"		483609	Key with Shroud
50	48494-02	Spring, Return			
51	43522	Spacer, Side Plate			
52	04041-08	Flatwasher, .766 x 1.25 x .035			

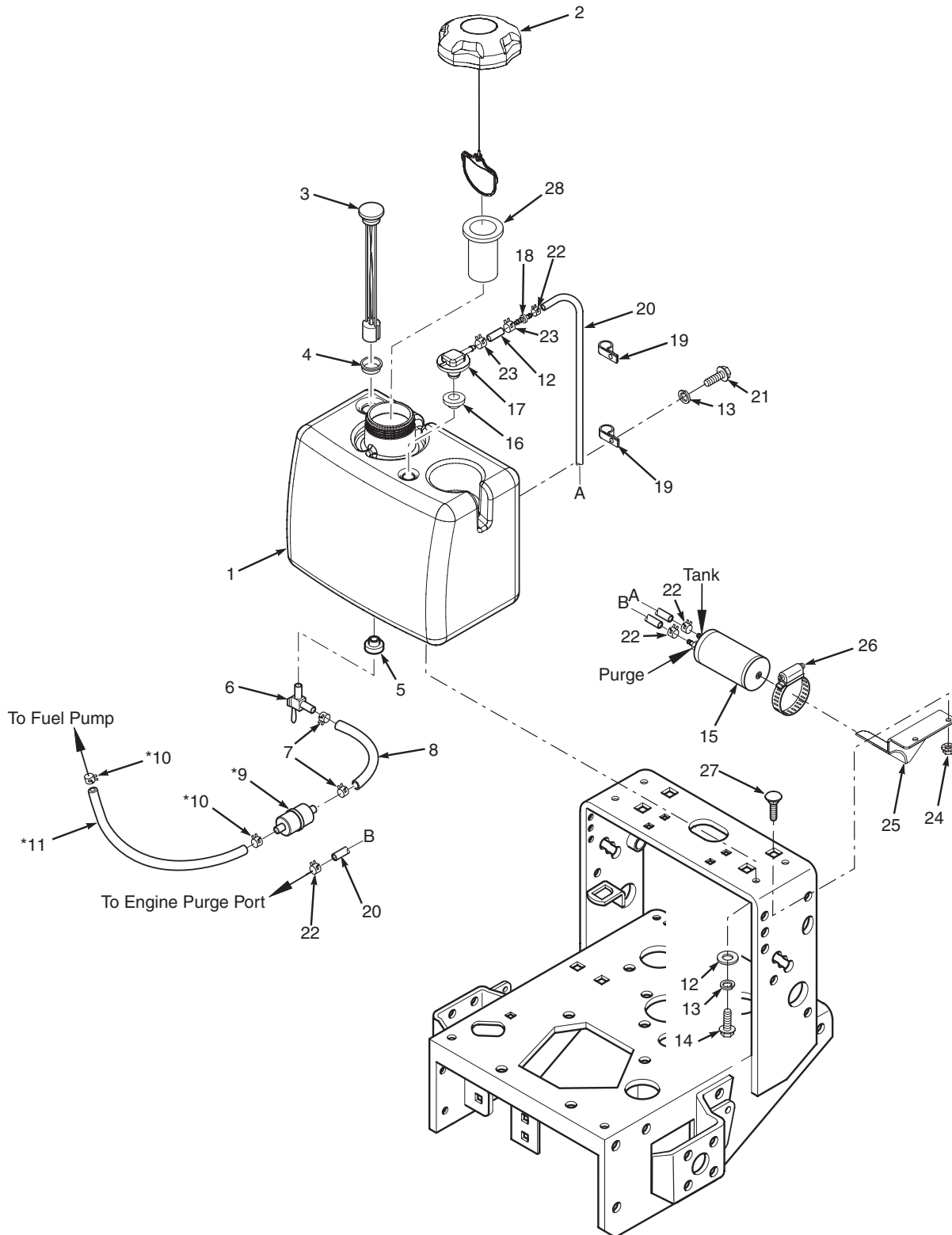
HANDLE ASSEMBLY - 20" LARGE FRAME



HANDLE ASSEMBLY - 20" LARGE FRAME

Ref. No.	Part No.	Description	Ref. No.	Part No.	Description
1	461977	Upper Handle W/mt. W/Decals	53	04063-07	Key, Woodruff, 3/16 x .75
2	42675	Quadrant, Speed Control	54	04001-59	Bolt, Hex Head, 1/4-20 x 1.25"
3	04062-02	Hairpin, .094 x 1.19	55	04001-19	Bolt, Hex Head, 3/8-16 x 1"
4	45282	Lever, Speed Adjustment	56	43415	Bushing, Brake
5	43086	Bushing, Speed Adjustment Lever	57	04050-02	Clip, Retaining .750 diameter
6	04001-20	Hex Head Bolt, 3/8-16 x 1.5"	58	48224	Bearing, Ball Neutral Return
7	48493-01	Ball Plunger	59	46747	Cam, Neutral (incl. grease ftng.)
8	48092	Knob, Speed Adjustment	60	48114-05	Grease Fitting, 1/4-28 UNF
9	04014-01	Capscrew, 1/4-20 x 3/4" FHHS	61	04050-01	Retaining Ring, 5/8"
10	04021-08	Nut, 1/4-20 Elastic Stop	62	04001-09	Hex Head Bolt, 5/16-18 x 1"
11	04021-10	Nut, 5/16-18 Elastic Stop	63	483414	Lever, Speed Control
12	04010-01	Screw, #10-32 x 1/2" PW HD	64	04017-05	Bolt, Hex Head 1/4-20 x .75"
13	48946	Throttle Control	65	482431	Linkage Assembly
14	04019-01	Nut, #10-32 Serr. Flange	66	04041-07	Flat Wshr., 15/16 x .3906 x 12 ga
15	483142	Bushing	67	462288	Deck, Engine 20" Wide
16	451917	Handle, Oper. Presence-RH	68	04001-10	Hex Head Bolt, 5/16-18 x 1.25"
	451916	Handle, Oper. Presence-LH	69	482314	Choke Control
17	483957	Switch, Electric Clutch Engage	70	04001-152	Bolt, Hex Head 3/8-16 x 4.25"
18	482686	Wire Harness, Manual Start	71	42413	Fuse Holder - 21KAE
	482687	Wire Harness, Electric Start	72	43520	Swivel Joint, Steering Rod
19	48609	Key Switch, Manual Srt. (inc. Hdw)	73	48100-06	Bushing
	48798	Key Switch, Electric Srt. (inc. Hdw)	74	48298	Blade Fuse, 20A - 21KAE
20	461242	Neutral Latch-RH	75	04021-01	Nut, #10-32 Elastic Stop - 21KAE
	461241	Neutral Latch-LH	76	04010-03	Screw, #10-32 x 1.5" Phillips - 21KAE
21	48717	Switch, Neutral Interlock	77	04030-02	Lockwasher, 1/4"
22	483161	Plug, Handlebar	78	43032	Swivel Joint
23	04032-01	Washer, Curved Spring	79	44143	Rod, Brake Lever
24	04040-15	Flat Washer	80	04001-45	Hex Hd. Bolt, 3/8-16 x 2"
25	04021-10	Nut, 5/16-18 Elastic Stop	81	48464	Ball Joint, RH Thread
26	04001-17	Hex Head Bolt, 5/16-18 x 2"	82	04021-09	Nut, 3/8-16 Elastic Stop
27	04001-53	Hex Hd. Bolt, 5/16-18 x 2.5"	83	04010-12	Screw #10-32 Slt'd Hex Wshr Hd
28	483160	Lever, Steering Control	84	04001-01	Bolt, 1/4-20 x .75"
29	04030-04	Lockwasher, 3/8 Spring	85	43286	Spacer
30	44141	Rod, Steering Control	86	461605	Parking Brake Lever with Grip
31	483040	Spring, Operator Presence	87	48717	Switch, Safety
32	04017-27	Capscrew, 3/8-16 x 1" Ser. Flange	88	04020-14	Nut, 3/8-24
33	483470	Spring	89	423876	Mounting Bracket, Wrench
34	04019-04	Nut, 3/8-16 Serr. Flange	90	423875	Wrench
35	44142	Rod Speed Control	91	48342	Grip, Parking Brake
36	451562	Bellcrank, Speed Control	92	421203	Plate, Threaded
37	04012-02	Setscrew, 1/4-28 x .25"	93	04062-01	Hairpin, .094 x 1.62"
38	46335	Cam, Speed Control (incl. 37)	94	44126	Rod, Lower Brake
39	43155	Jackshaft, Speed Control	95	422273	Plate, Coupler
40	04063-13	Key, 1/8 x 1/2" Woodruff	96	451113	Shaft, Pump Control
41	04060-06	Roll Pin, 3/16-.75	97	481879	Spring
42	04021-10	Nut, Elastic Stop 3/8-16	98	04021-09	Nut, 3/8-16 Elastic Stop
43	48223	Flange, Bearing	99	48829	Block, Pump Control
44	04017-17	Capscrew, 5/16-18 x 1" Serr. Flg.	100	461964	Control, LH (inc. bush. & decal)
45	04019-03	Nut, 5/16-18 Serrated Flange		461965	Control, RH (inc. bush. & decal)
46	422795	Plate, Side	101	481545	Switch, Parking Brake
47	43536	Spacer, Neutral Bearing	102	44144	Rod, Offset
48	48409	Bearing, Speed Ctrl. Bellcrank	103	422373	Plate, Threaded
49	04001-69	Hex Head Bolt, 5/16-18 x 1-3/4"	104	462069	Key Chain with Keys
50	48494-02	Spring, Return		483609	Key with Shroud
51	43522	Spacer, Side Plate			
52	04041-08	Flatwasher, .766 x 1.25 x .035			

SWZ FUEL SYSTEM

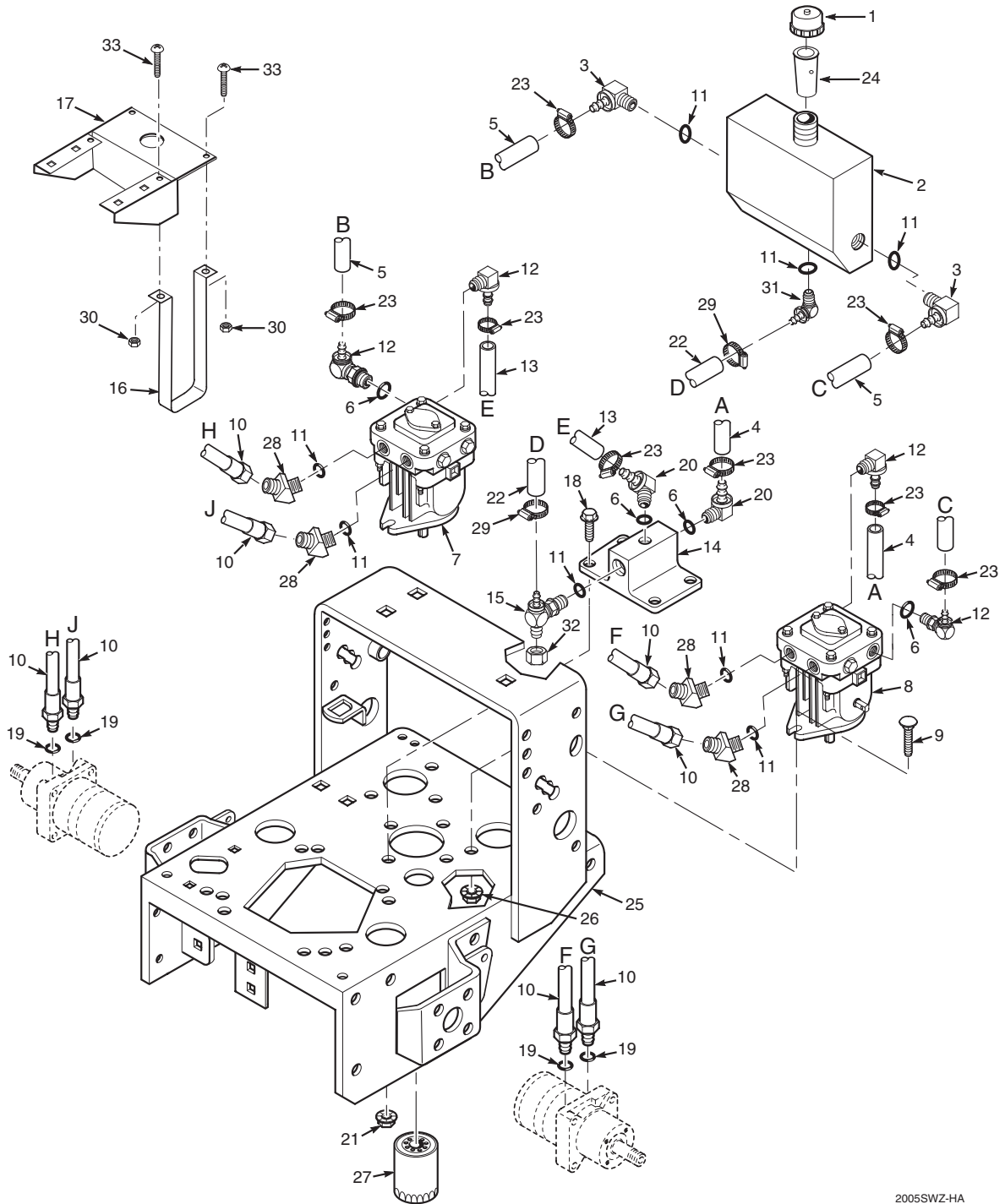


SWZ FUEL SYSTEM

Ref. No.	Part No.	Description
1	462375	Fuel Tank Assembly (incl. #3, 4, 5, 6, 16, 17)
2	484286	Fuel Cap w/ Tether
	484297	Fuel Cap w/Tethered - California Models Only (not shown)
3	484259	Fuel Gauge Assembly (incl. #4)
4	484242	Seal, Fuel Gauge
5	482571	Bushing, .56 Dia. Viton
6	483747	Ball Valve w/Screen
7	48059-01	Clamp, Fuel Hose
8	483617	Fuel Hose, 1/4" ID (order by inch)
9	*	Fuel Filter
10	*	Clamp, Fuel Hose
11	*	Fuel Hose
12	484347	Hose, Vapor Recovery 1/4" (order by inch)
13	04030-03	Lockwasher, 5/16" Spring
14	04001-09	Bolt, Hex Head 5/16-18 x 1"
15	484287	Carbon Canister
16	484285	Grommet, Viton,
17	484333	Fitting, Remote Vent
18	484343-01	Mender, 1/4 x 3/16 w/.02 Hole
19	48030-22	Clamp, 3/8"
20	484345	Hose, Vapor Recovery 3/16" (order by inch)
21	04001-08	Bolt, Hex Head 5/16-18 x 3/4"
22	48059-05	Clamp, Vapor Recovery Hose 3/16"
23	48059-02	Clamp, Fuel Hose 7/32" ID
24	04019-03	Nut, Serrated Flange 5/16-18
25	452176	Bracket, Canister Mounting
26	48136-17	Clamp
27	04003-04	Bolt, Carriage 5/16-18 X 1"
28	484279-01	Tube, Fuel Tank Insert - 4"

* = Available through engine manufacturer only.

HYDRAULIC ASSEMBLY

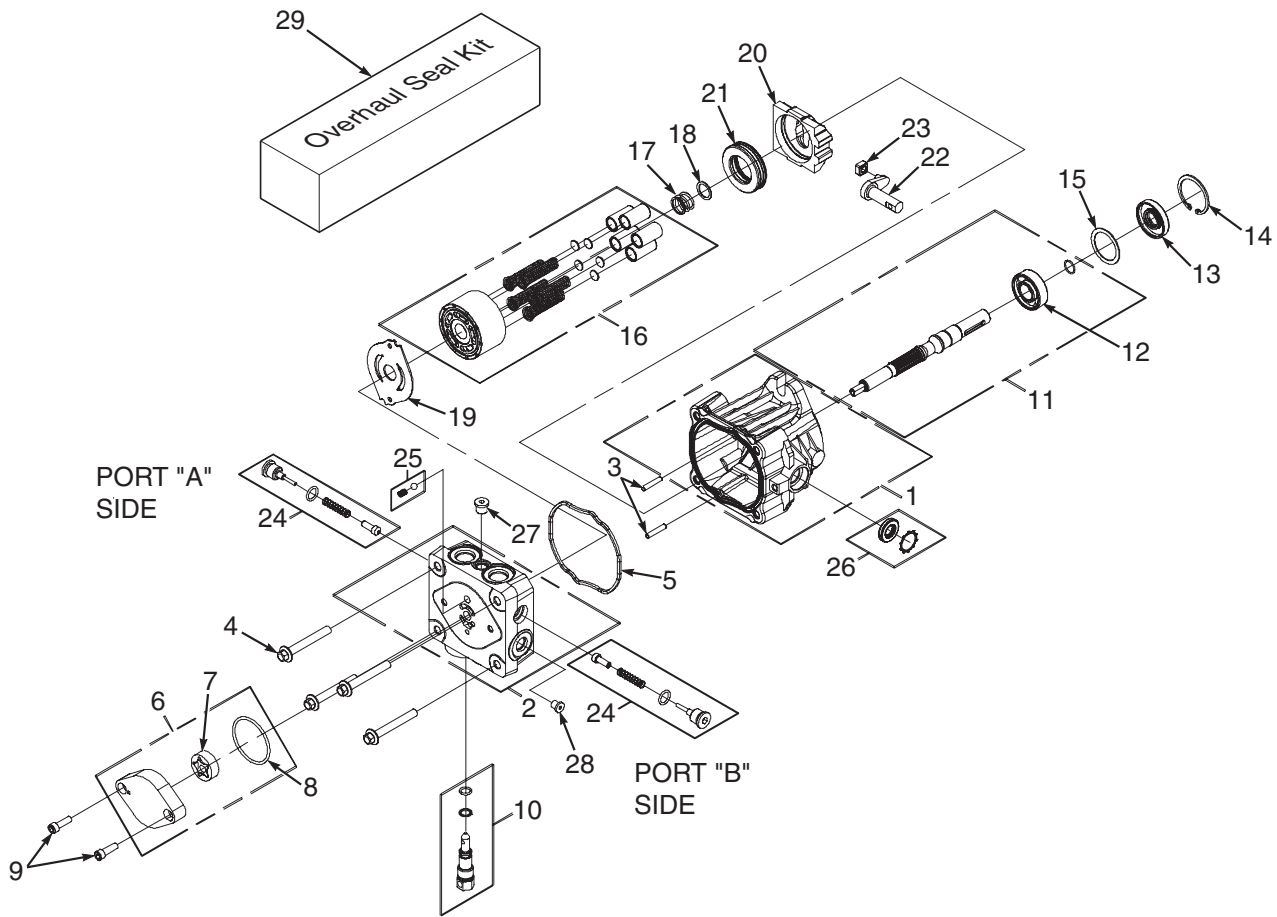


2005SWZ-HA

HYDRAULIC ASSEMBLY

Ref. No.	Part No.	Description
1	481164	Cap, Oil Reservoir
2	461428	Oil Reservoir (With Fittings)
3	482266-01	Elbow, 9/16 O-Ring x 3/8" Hose
4	48811	Hose, 3/8" ID - 10-1/4" Long (Order By The Inch)
5	48811	Hose, 3/8" ID - 7" Long (Order By The Inch)
6	48603-06	O-Ring
7	483097	Pump, PG-1JQQ-DY1X-XXXX (R.H.)
8	483098	Pump, PG-1GQQ-DY1X-XXXX (L.H.)
9	04003-11	Bolt, Carriage, 3/8-16 x 1.25"
10	481265	Hose, Pump to Wheel Motor
11	48603-02	O-Ring
12	482266-03	Elbow, 7/16-20 O-Ring x 3/8" Hose
13	48811	Hose, 3/8" ID - 11" Long (Order By The Inch)
14	482417	Oil Filter Base
15	482477	Tee, 3/8 O-Ring x JIC x 1/2" Hose
16	422794	Strap, Hydraulic Tank
17	422793	Bracket, Hydraulic Tank
18	04017-16	Capscrew, 5/16-18 x .75" Serr. Flange
19	48603-04	O-Ring
20	482266-01	Elbow, 9/16 O-Ring x 3/8" Hose
21	04019-03	Nut, 5/16-18 Serr. Flange
22	482305	Hose, Formed 1/2" ID
23	48136-13	Clamp, .69 max dia.
24	481507	Tube, Filler Neck
25	462287	Engine Deck (16" Wide) with Decals - Small Frame
	462288	Engine Deck (20" Wide) with Decals - Large Frame
26	04019-04	Nut, 3/8-16 Serr. Flange
27	48462-01	Oil Filter
28	48485-01	Elbow, 45 Deg.-3/4-16 JIC Male x Male 3/4-16 O-Ring
29	48136-05	Clamp, .87 max di.
30	04021-08	Nut, 1/4-20
31	482202	Elbow, 3/4-16 O-Ring x 1/2" Hose
32	48571-02	Cap, 3/4-16
33	04010-10	Screw, 1/4-20 x 2.0" Round Head Phillips

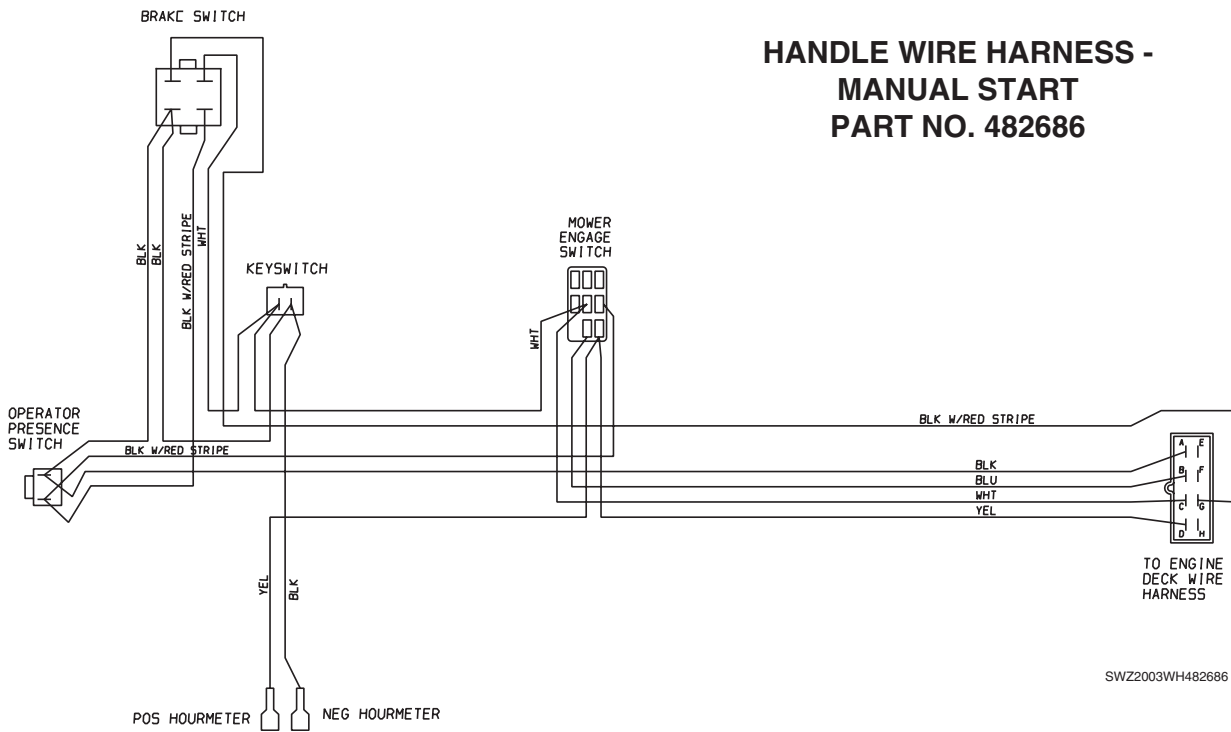
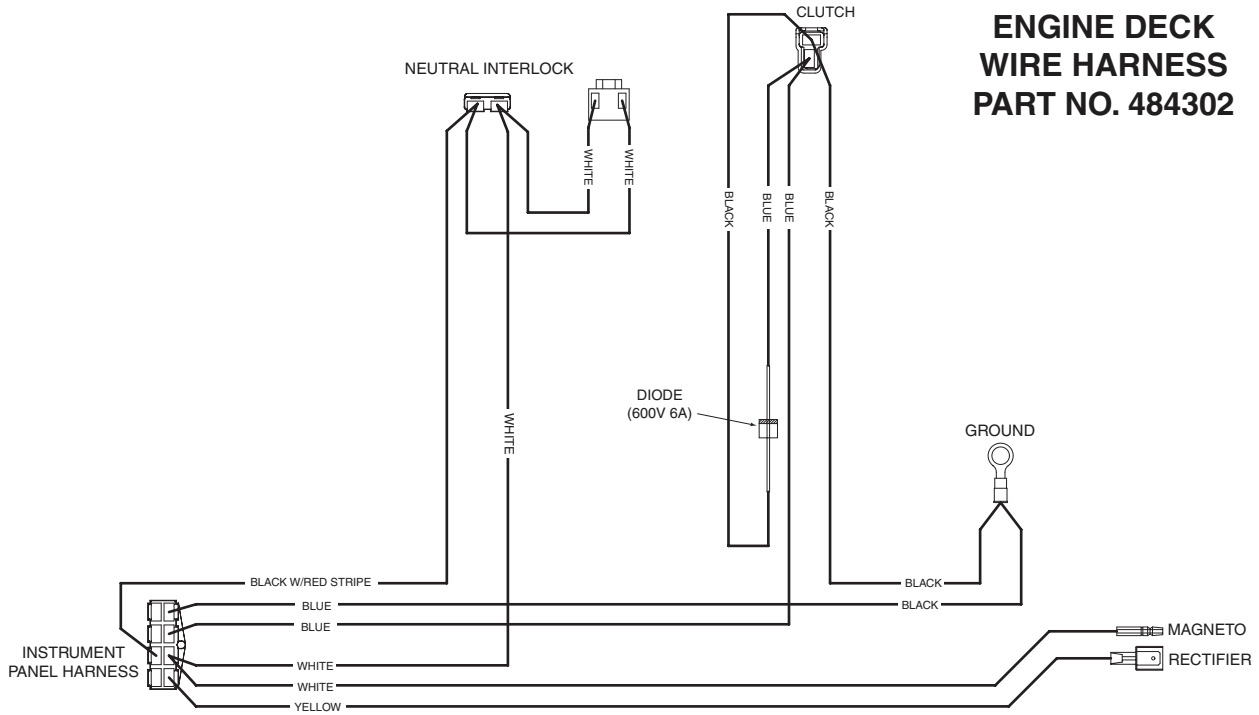
HYDRAULIC PUMP ASSEMBLY



HYDRAULIC PUMP ASSEMBLY

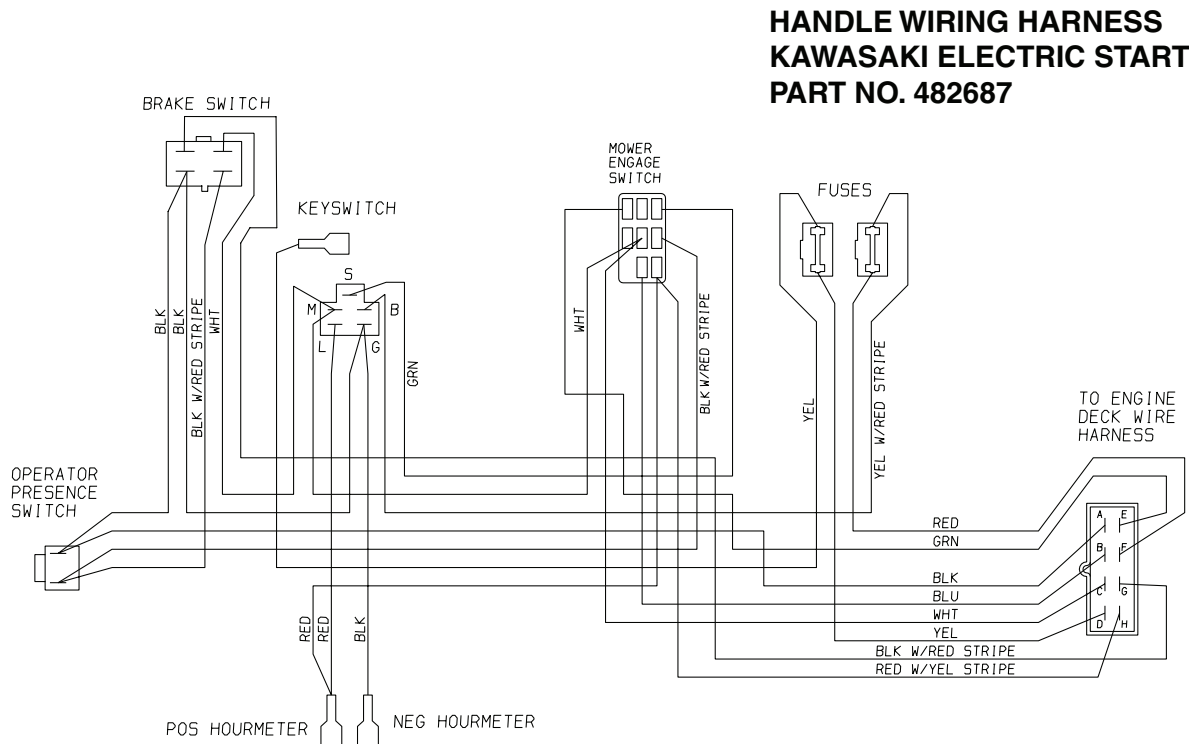
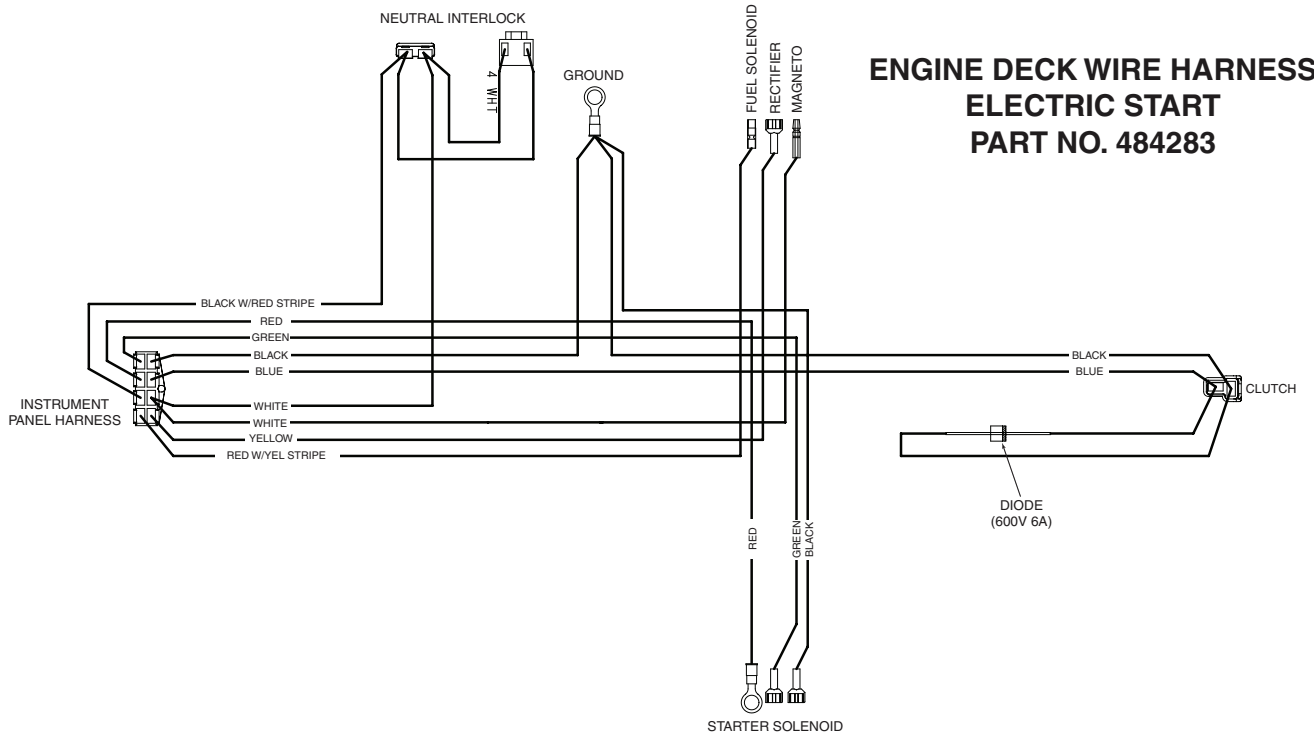
Ref. No.	Part No.	Description
1	HG 70516	Housing Kit
2	HG 70573	End Cap Kit
3	HG 50641	Straight Headless Pin
4	HG 50969	Hex Flange Bolt, M8-1.25 x 60mm
5	HG 51232	Housing O-Ring
6	HG 2513027	Charge Pump Kit
7	HG 50273	Gerotor Assembly
8	HG 9004101-1340	O-Ring
9	HG 50095	Socket Head Screw, M6 x 1.0-20mm
10	HG 2513030	Bypass Valve Kit
11	HG 70521	Pumpshaft Kit
12	HG 50315	Ball Bearing, 17 x 40 x 12
13	HG 51161	Lip Seal
14	HG 50329	Retaining Ring
15	HG 50951	Spacer
16	HG 70331	Cylinder Block Kit
17	HG 2003014	Block Spring
18	HG 2003017	Block Thrust Washer
19	HG 51444	Valve Plate
20	HG 2003087	Swash Plate
21	HG 50551	Ball Thrust Bearing
22	HG 2003005	Trunnion Arm
23	HG 2000015	Slot Guide
24	HG 2510062	Check Valve Kit (.024" Orifice) port "A" on Left Hand Pump, port "B" on Right Hand Pump
25	HG 70403	Charge Relief Kit
26	HG 2513043	Trunnion Seal with Retainer
27	HG 9005110-4400	Straight Thread Plug
28	HG 50408	Straight Headless Pin
29	HG 70525	Overhaul Seal Kit

WIRE HARNESSES



SWZ2003WH482686

WIRE HARNESSSES



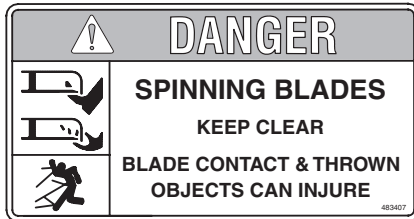
REPLACEMENT DECALS AND INFORMATION PLATES



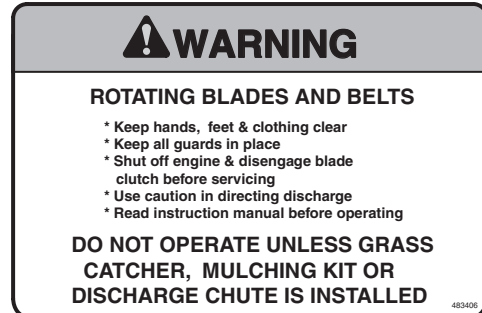
1



2



3



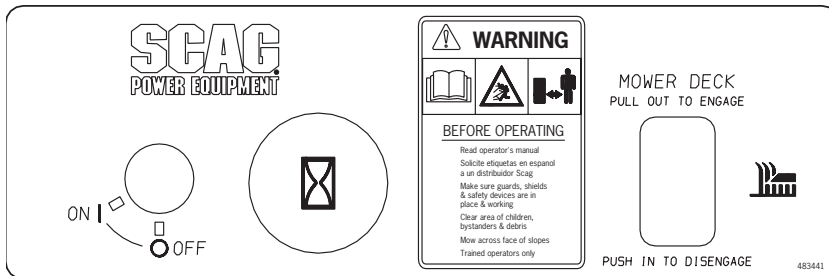
4



8



6

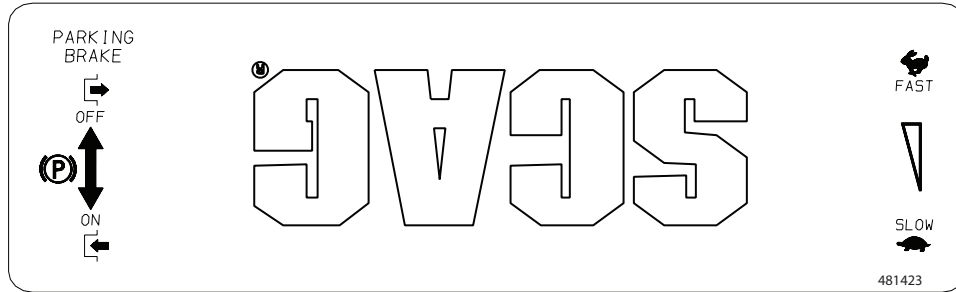


7

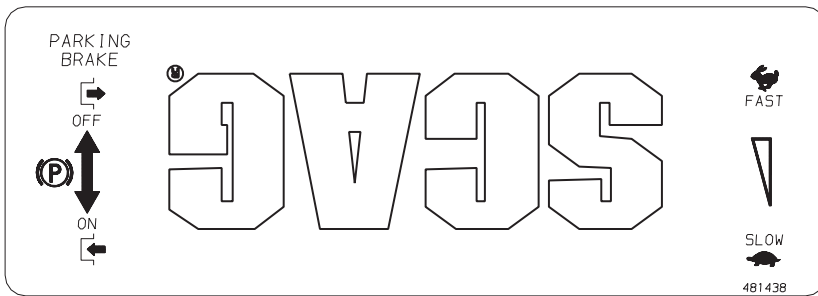


9

REPLACEMENT DECALS AND INFORMATION PLATES



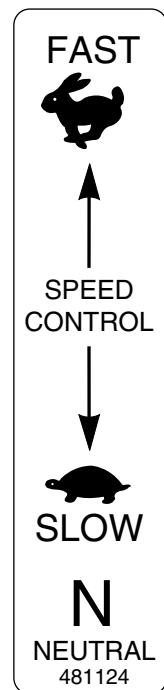
10



11



12



15



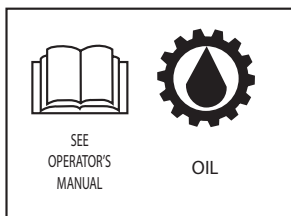
13



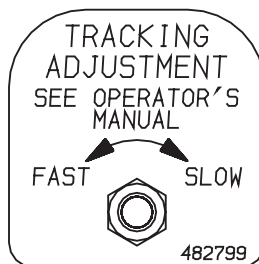
14

REPLACEMENT DECALS AND INFORMATION PLATES

Ref. No.	Part No.	Description
1	483405	Decal, Discharge Chute
2	48314	Decal, Scag Logo
3	483407	Decal, Danger-Spinning Blades
4	483406	Decal, Warning-Rotating Blades
5	482816	Decal, Height of Cut
6	48404	Decal, Metalcraft - Made in USA
7	483441	Decal, Instrument Panel - Rear
8	483404	Decal, Sulky Attachment
9	483402	Decal, Belt Cover
10	481423	Decal, Instrument Panel - Front (SWZ-19KAI & SWZ-21KAE only)
11	481483	Decal, Instrument Panel - Front
12	482297	Decal, 36 Advantage
13	483199	Decal, 48 Velocity Plus
	483200	Decal, 52 Velocity Plus
	483201	Decal, 61 Velocity Plus
14	481971	Decal, Heavy Duty Commercial
15	481124	Decal, Speed Control
16	481942	Decal, Scag Zero Turn
17	481425	Decal, Oil
18	482799	Decal, Tracking Adjustment
**	461986	Spanish Decal Kit, Walk-Behinds (Not Shown)
**	483900	Decal, Warning Spark Arrest (Not Shown) - California Models Only



17



18

482816 **CUTTING HEIGHT ADJUSTMENT**
 DECK MOUNTING HOLE POSITION
 NUMBER OF CASTER SPACERS (BELOW SUPPORT)

	NUMBER OF SPACERS ABOVE CUTTER BLADES						
	0	1	2	3	4	5	
TOP	0	-	-	2-3/8	2-1/8	1-7/8	1-5/8
MIDDLE	0	-	-	2-5/8	2-3/8	2-1/8	1-7/8
MIDDLE	1	-	-	2-3/4	2-1/2	2-1/4	2
BOTTOM	2	-	-	-	-	2-7/8	2-5/8
BOTTOM	3	-	4	3-3/4	3-1/2	3-1/4	3
BOTTOM	4	4-3/8	4-1/8	3-7/8	3-5/8	3-3/8	3-1/8

5



16

