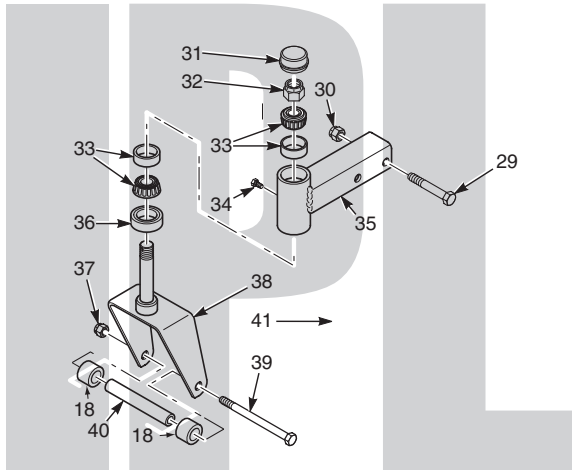


# SCAG<sup>®</sup>

## POWER EQUIPMENT



# ILLUSTRATED PARTS MANUAL



## Model SWZ Walk-Behind

THIS MANUAL CONTAINS THE ILLUSTRATED PARTS LIST FOR MODELS:

SWZ36A-16KAI  
SWZ36A-17KAI  
SWZ48V-17KAI  
SWZ52V-17KAI  
SWZ52V-19KAI  
SWZ-19KAI  
SWZ-21KAE  
SWM-52V  
SWM-61V

with a serial number of D4500001 to D4599999  
with a serial number of E6100001 to E6199999  
with a serial number of D4600001 to D4699999  
with a serial number of D4700001 to D4799999  
with a serial number of D4800001 to D4899999  
with a serial number of D5100001 to D5199999  
with a serial number of D5200001 to D5299999  
with a serial number of D5400001 to D5499999  
with a serial number of D5500001 to D5599999

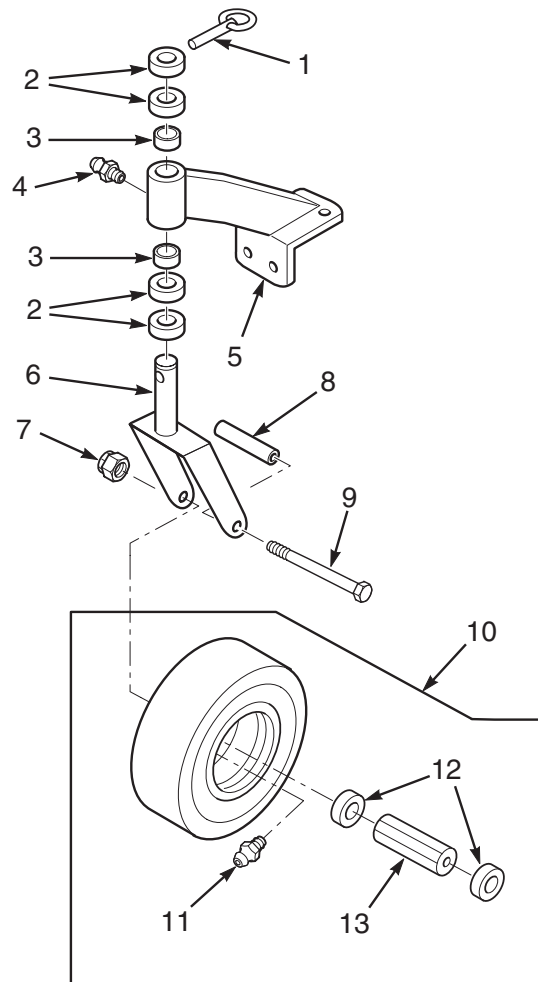


## Table of Contents

CASTER ASSEMBLY .....	3
36A CUTTER DECK.....	4
48V & 52V CUTTER DECKS .....	6
61V CUTTER DECK.....	8
ENGINE DECK - MANUAL START.....	10
ENGINE DECK - ELECTRIC START .....	12
DRIVE AND BRAKE COMPONENTS.....	14
HANDLE ASSEMBLY - 16" SMALL FRAME .....	16
HANDLE ASSEMBLY - 20" LARGE FRAME .....	18
HYDRAULIC ASSEMBLY.....	20
HYDRAULIC PUMP ASSEMBLY .....	22
WIRE HARNESSSES .....	24
WIRE HARNESSSES .....	25
WIRE HARNESSSES .....	26
REPLACEMENT DECALS AND INFORMATION PLATES .....	27

**NOTES**

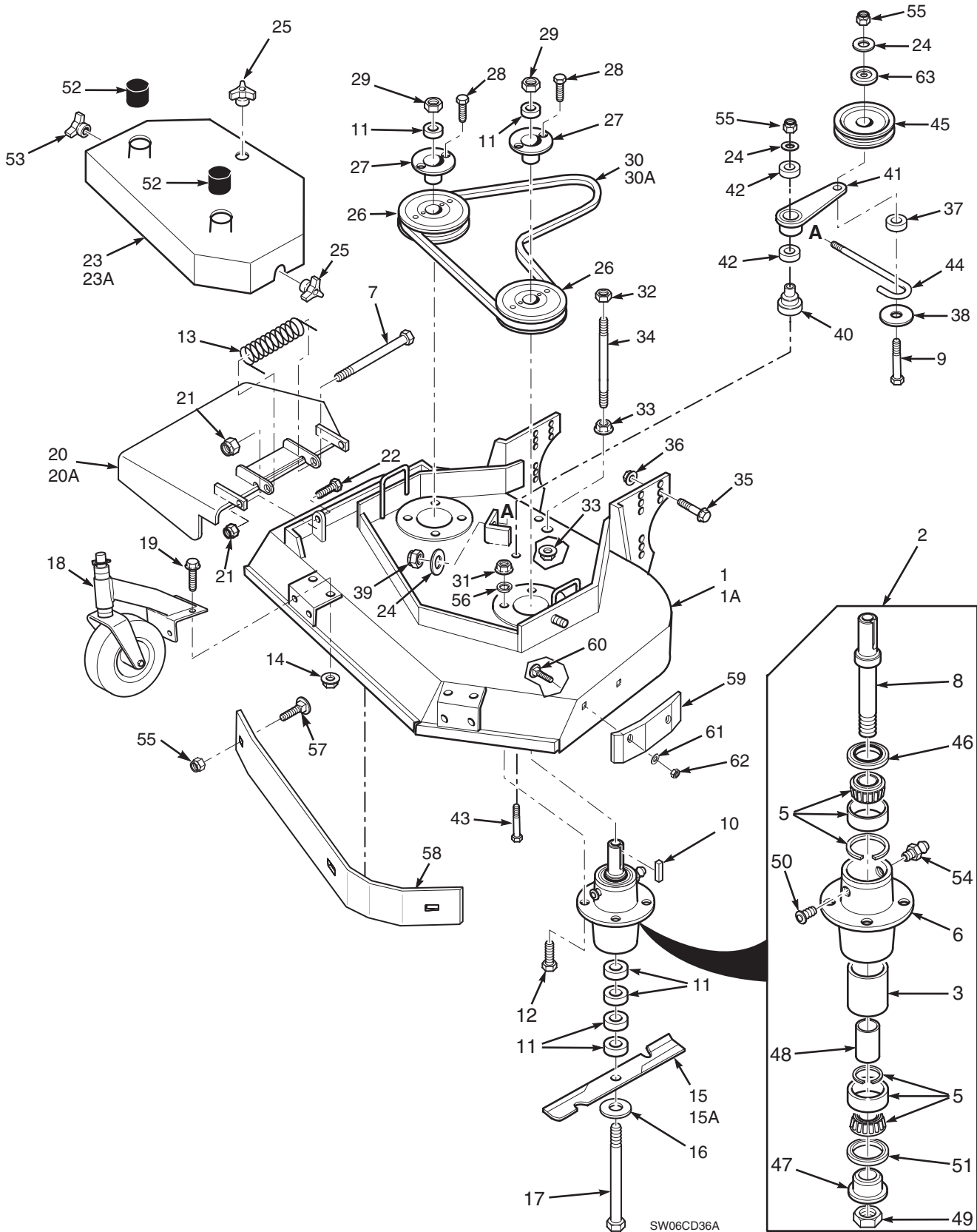
## CASTER ASSEMBLY



SW-SWZ2006CSTR

Ref. No.	Part No.	Description
1	04066-01	Quick Pin
2	43037-01	Spacer, Spacer Yoke, 1/2" Long
3	48100-01	Bronze Bearing
4	48114-04	Greasing Fitting
5	46082	Support Assembly (Incl. #3 & #4)
6	45006	Caster Yoke
7	04021-07	Nut, Elastic Stop 1/2-13
8	43022	Sleeve, Caster Wheel Bearing
9	04001-37	Bolt, Hex Head 1/2-13 x 5-1/2"
10	9275	Flat-Free Tire Assy. (Incl. #11, #12, #13)
11	48114-03	Grease Fitting, 45 Degree 1/4-28
12	481770	Retainer, Caster Wheel Bearing
13	481769	Roller Bearing, Caster Wheel

## 36A CUTTER DECK

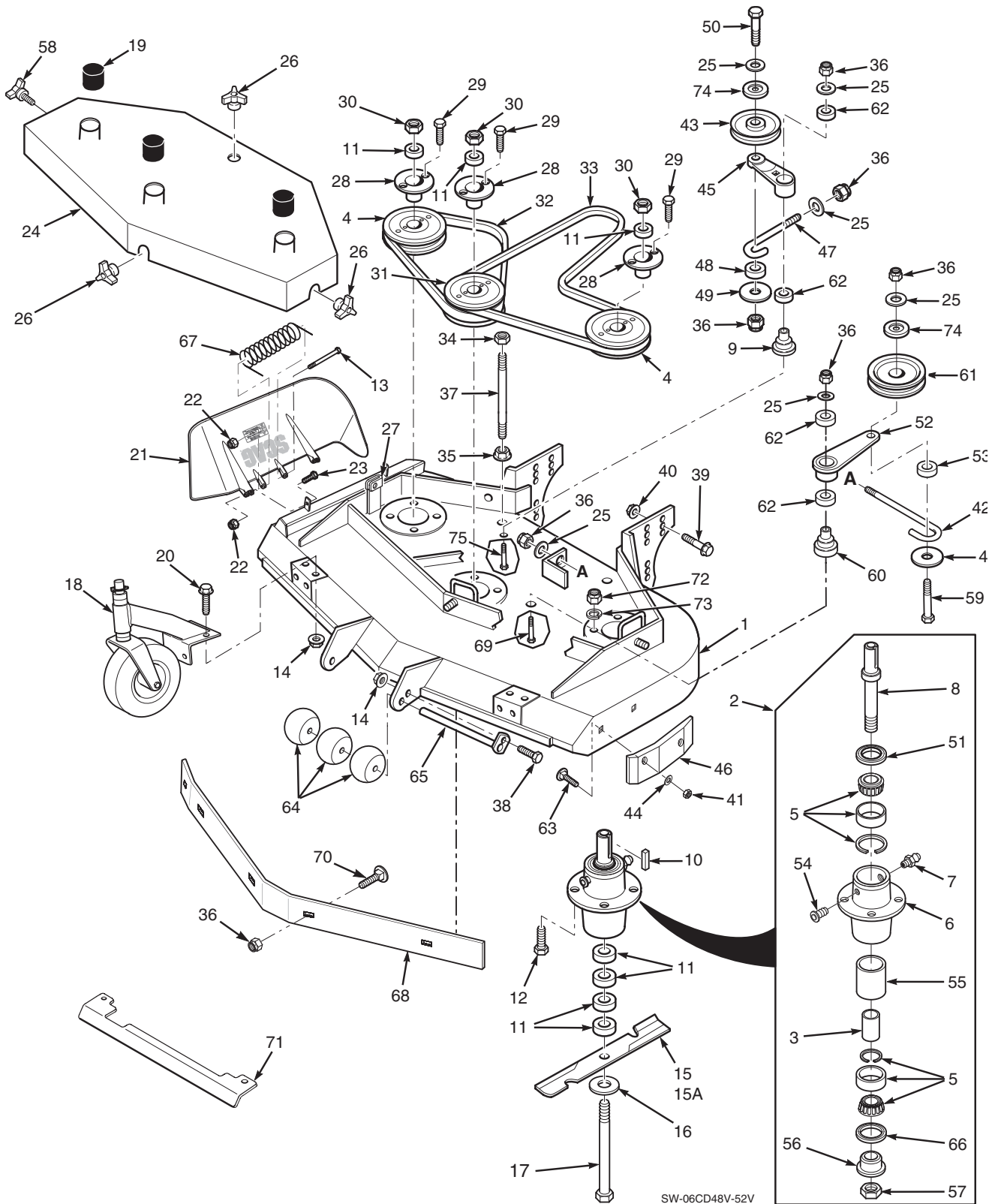


### 36A CUTTER DECK

Ref. No.	Part No.	Description
1	461848	Cutter Deck w/Decals
2	461663	Cutter Spindle Assembly
3	43312	Spacer, Outside
5	481022	Bearing, Tapered
6	43644	Spindle Housing
7	04001-154	Bolt, 5/16-18 x 4-3/4"
8	43589	Spindle Shaft
9	04001-51	Bolt, 3/8-16 x 3-3/4" Hex Head
10	04063-08	Key, 1/4 x 1/4 x 2"
11	43592	Spacer, Cutter Blade - Small
12	04001-175	Bolt, 5/16-18 x 1-1/2" Hex Head Grade 8
13	482245	Spring, Chute Return
14	04019-03	Nut 5/16-18 Serrated Flange
15	481707	Cutter Blade, 18"
15A	481711	Cutter Blade, 18 Hi-Lift
16	04043-06	Flatwasher, 5/8 W
17	04001-41	Hex Hd. Bolt, 5/8-11 x 9-1/2"
18	461023	Caster Assembly
19	04017-16	Cpscrw, 5/16-18 x 3/4" Ser.Flg. Hex Head
20	461295	Discharge Chute
21	04021-10	Hex Nut, 5/16-18 Elastic Stop
22	04001-09	Hex Hd Bolt, 5/16-18 x 1"
23	461709	Belt Cover Assy (Incl. Decal)
23A	462030	Belt Cover Assy (Incl. Decal)
24	04043-04	Flat Washer, 3/8" Special
25	04029-03	Wing Nut, 3/8-16
26	482744	Pulley
27	48926	Tapered Hub
28	04001-172	Hex Hd. Bolt, 1/4-20 x 1"
29	04020-09	Hex Nut, 5/8-11
30	48204	Belt, Blade Drive
31	04021-22	Elastic Stop Nut, 5/16-18 Grade 8
32	04021-05	Hex Nut, 3/8-16 Center Locknut
33	04019-04	Nut, 3/8-16 Serrated Flange
34	04004-02	Support, Belt Cover
35	04017-36	Cpscrw, 1/2-13 x 1" Ser.Flg. HH
36	04112-05	Nut, 1/2-13 Spiralock
37	43277	Spacer, J-Hook
38	04041-12	Flatwasher, 3/8 x 1-1/2 x 16 GA
39	04021-09	Elastic Stop Nut, 3/8-16
40	43681	Idler Pivot
41	461841	Idler Arm Assy. (Inc. 42)
42	48224	Bearing
43	04001-62	Cpscrw, 3/8-16 x 3-1/4" Hex Head
44	44078	J-Hook

Ref. No.	Part No.	Description
45	483215	Idler Pulley, Belt Clutch
46	481024	Seal, Cutter Spindle
47	43297	Spindle Bushing
48	43296	Spacer, Inside
49	481035	Nut, 1.06-18
50	48677	Relief Fitting, Cutter Spindle
51	481025	Seal, Cutter Spindle
52	48098	Spindle Shield
53	04029-04	Wing Nut, 3/8-16 (Small) RH side
54	48114-04	Grease Fitting
55	04021-09	Nut, Hex Elastic Stop 3/8-16
56	04030-03	Lock Washer, 5/16"
57	04003-23	Bolt, Carriage 3/8-16 x 1"
58	423783	Baffle Weldment
59	483174	Pad, Deck Wear
60	04003-12	Bolt, Carriage 5/16-18 x 3/4"
61	04040-04	Flatwasher, 5/16"
62	04021-04	Hex Nut, 5/16-18 Center Locknut
63	424367	Dust Shield

## 48V & 52V CUTTER DECKS



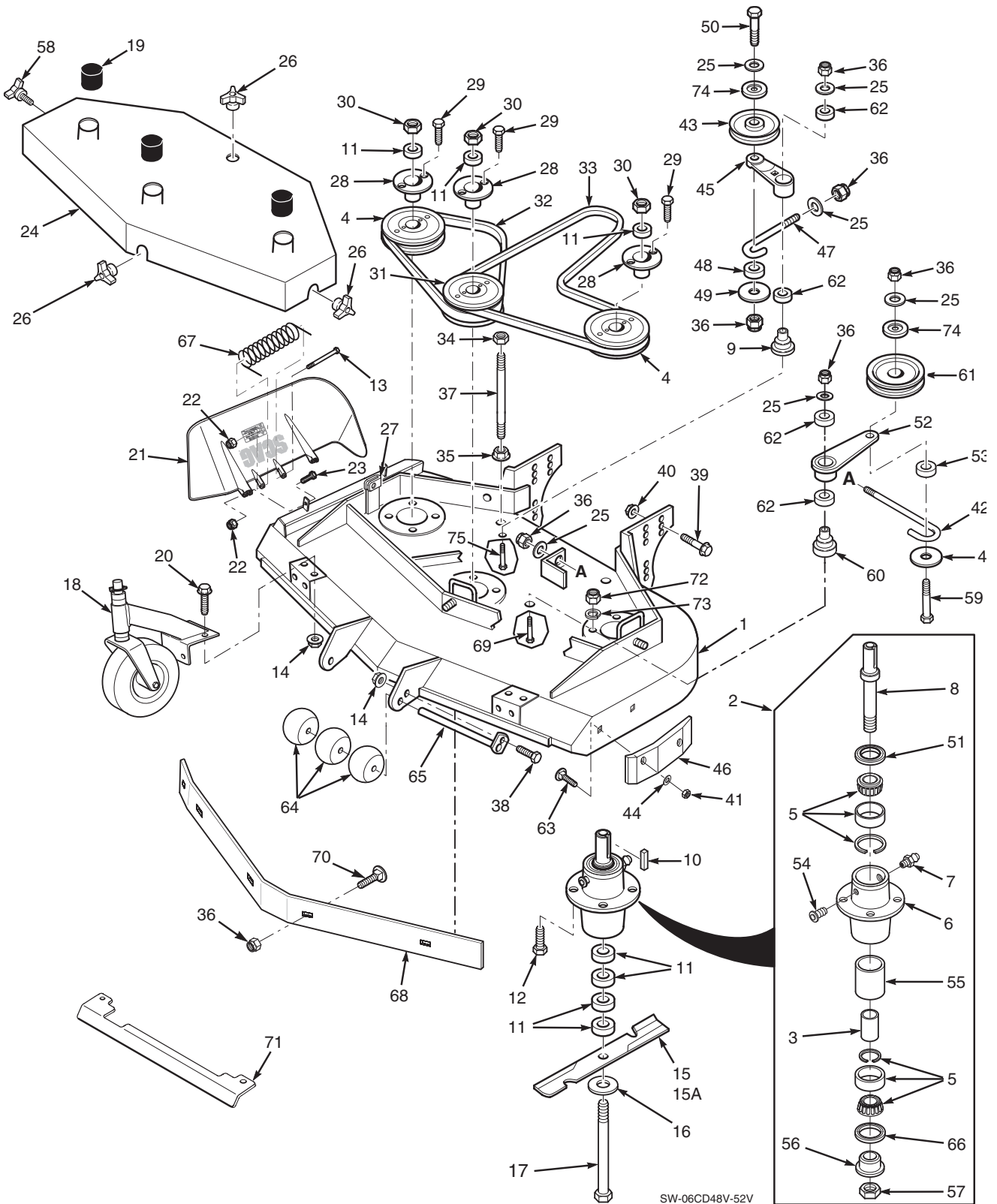
SW-06CD48V-52V

## 48V & 52V CUTTER DECKS

Ref. No.	Part No.	Description	48	52
1	461852	Cutter Deck w/Decals	x	
	461855	Cutter Deck w/Decals		x
2	461663	Spindle Assembly	x	x
3	43296	Spacer, Inside	x	x
4	482744	Pulley	x	x
5	481022	Tapered Bearing	x	x
6	43644	Spindle Housing	x	x
7	48114-04	Grease Fitting Str. 5/16"	x	x
8	43589	Spindle Shaft	x	x
9	43682	Idler Pivot	x	x
10	04063-08	Key, 1/4 x 1/4 x 2"	x	x
11	43592	Spacer, Cutter Blade - Small	x	x
12	04001-175	Bolt, 5/16-18 x 1-1/2" Hex Head Gr. 8	x	x
13	04001-154	Bolt, 5/16-18 x 4-3/4" Hex Head	x	x
14	04019-03	Serr. Flange Nut, 5/16-18	x	x
15	481706	Cutter Blade 16-1/2"	x	
	481707	Cutter Blade 18"		x
15A	481710	Cutter Blade 16-1/2 Hi-Lift	x	
	481711	Cutter Blade 18 Hi-Lift		x
16	04043-06	Flatwasher, 5/8" (.688 x 1.75 x .134)	x	x
17	04001-41	Hex Head Bolt, 5/8-11 x 9-1/2"	x	x
18	461023	Caster Assembly	x	x
19	48098	Spindle Shield	x	x
20	04017-16	Capscrew, 5/16-18 x 3/4"	x	x
21	461844	Discharge Chute 48V	x	
	461845	Discharge Chute 52V		x
22	04021-10	Nut, 5/16-18 Elastic Elastic Stop	x	x
23	04001-11	Bolt, 5/16-18 x 1-1/2" Hex Head	x	x
24	461866	Belt Cover (Incl. decals)	x	
	461867	Belt Cover (Incl. decals)		x
25	04043-04	Flat Washer, 3/8" Special	x	x
26	04029-03	Wing Nut, 3/8-16 (Large)	x	x
27	04110-03	U-Nut, 3/8-16	x	x
28	48926	Tapered Hub	x	x
29	04001-172	Bolt, 1/4-20 x 1" Hex Head Grade 8	x	x
30	04020-09	Nut, 5/8-11 Hex	x	x
31	482748	Pulley, Double	x	x
32	48087	Belt, RH Blade Drive	x	
	48285	Belt, RH Blade Drive		x
33	48089	Belt, Blade Drive	x	
	483518	Belt, Blade Drive		x
34	04021-05	Nut, 3/8-16, Nut Centerlock	x	x
35	04019-04	Nut, 3/8-16, Serrated Flange	x	x
36	04021-09	Nut, 3/8-16 Elastic Stop	x	x
37	04004-02	Bolt, 5/16-18 x 1" Hex Head	x	x
38	04001-09	Bolt, 5/16-18 x 1" Hex Head	x	x
39	04017-36	Cpscrw, 1/2-13 x 1" Ser. Fig. HH	x	x
40	04112-05	Nut, 1/2-13 Spirallock	x	x
41	04021-04	Hex Nut, 5/16-18 Center Locknut	x	x
42	44078	J-Hook, 48V	x	
	43028	J-Hook, 52V		x
43	48181	Idler Pulley, "V" Groove	x	x
44	04040-04	Flatwasher, 5/16"	x	x

Ref. No.	Part No.	Description	48	52
45	461091	Idler Arm Assy. (Incl. 62)	x	x
46	483176	Pad, Deck Wear	x	x
47	43028	J-Rod, Idler Pulley	x	x
48	43077	Spacer, J-Rod	x	x
49	04041-12	Washer, 3/8 x 1-1/2 x 16 ga.	x	x
50	04001-31	Bolt, 3/8-16 x 2-1/2" Hex Head	x	x
51	481024	Seal, Cutter Spindle	x	x
52	461841	Idler Arm Assy (Includes 62)	x	x
53	43277	Spacer, J-Rod	x	x
54	48677	Reief Fitting, Cutter Spindle	x	x
55	43312	Spacer, Outside, Cutter Spindle	x	x
56	43297	Spindle Bushing	x	x
57	481035	Nut, Cutter Spindle	x	x
58	481625-01	Knob, w/stud	x	x
59	04001-51	Bolt, 3/8-16 x 3-3/4" Hex Head	x	x
60	43681	Idler Pivot	x	x
61	483215	Idler Pulley, Belt Clutch	x	x
62	48224	Bearing	x	x
63	04003-12	Bolt, Carriage 5/16-18 x 3/4"	x	x
64	482295	Guide Roller	x	x
65	45944	Roller Shaft	x	x
66	481025	Seal, Cutter Spindle	x	x
67	483378	Spring, Chute Return	x	x
68	424839	Baffle Weldment 48V	x	
	424840	Baffle Weldment 52V		x
69	04001-62	Bolt, 3/8-16 x 3-1/4" Hex Head	x	x
70	04003-23	Bolt, Carriage 3/8-16 x 1"	x	x
71	423972	Heatshield	x	x
72	04021-22	Nut, Hex Lock 5/16-18	x	x
73	04030-03	Lock Washer 5/16"	x	x
74	424367	Dust Shield	x	x
75	04001-22	Bolt, 3/8-16 x 2-3/4" Hex Head	x	x

## 61V CUTTER DECK

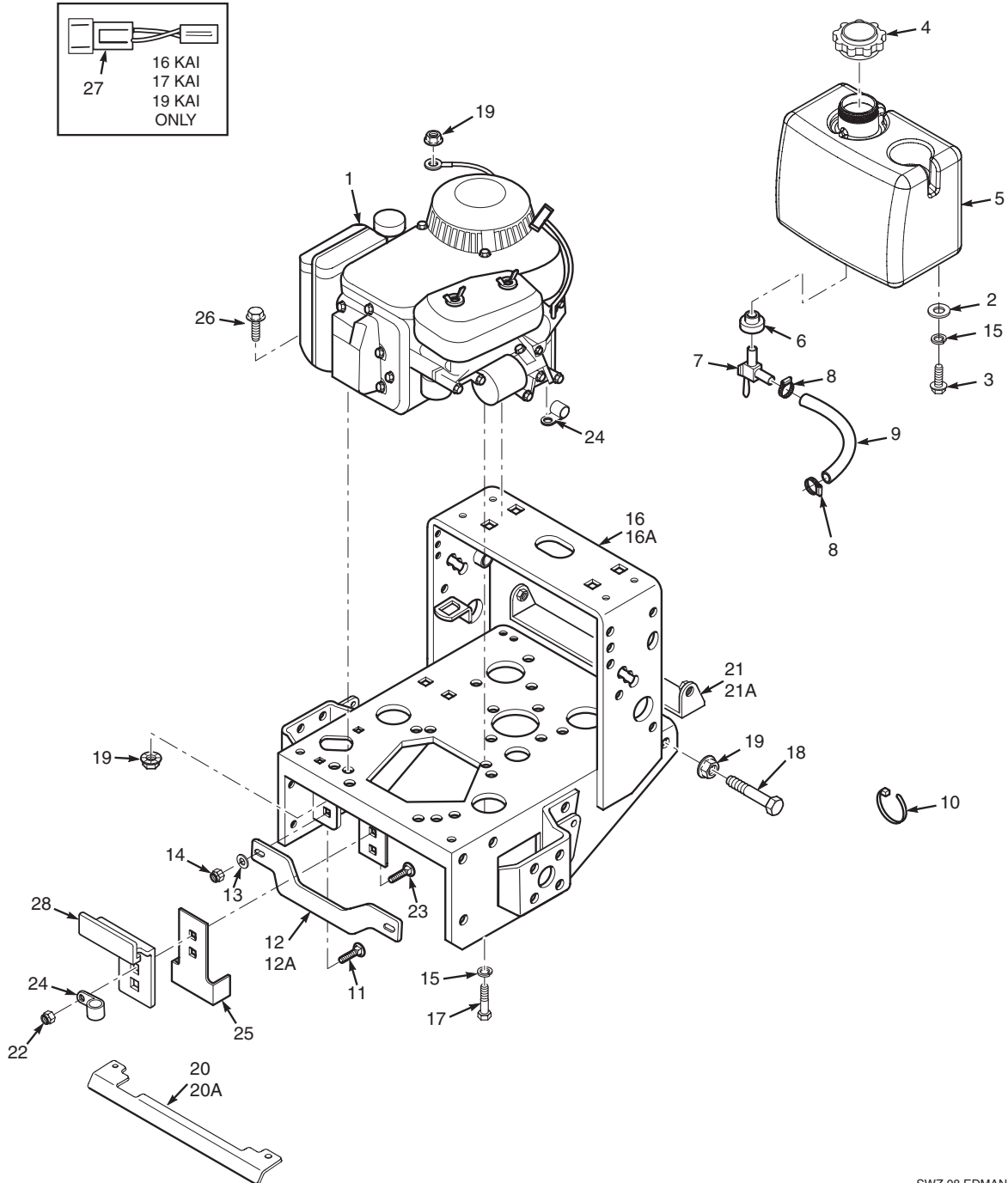


## 61V CUTTER DECK

Ref. No.	Part No.	Description
1	461860	Cutter Deck w/Decals
2	461663	Spindle Assembly
3	43296	Spacer, Inside
4	482745	Pulley
5	481022	Tapered Bearing
6	43644	Spindle Housing
7	48114-04	Grease Fitting Str. 5/16"
8	43589	Spindle Shaft
9	43682	Idler Pivot
10	04063-08	Key, 1/4 x 1/4 x 2"
11	43592	Spacer, Cutter Blade - Small
12	04001-175	Bolt, 5/16-18 x 1-1/2" Hex Head Gr. 8
13	04001-154	Bolt, 5/16-18 x 4-3/4" Hex Head
14	04019-03	Serr. Flange Nut, 5/16-18
15	481708	Cutter Blade 21"
15A	481712	Cutter Blade 21" Hi-Lift
16	04043-06	Flatwasher, 5/8" (.688 x 1.75 x .134)
17	04001-41	Hex Head Bolt, 5/8-11 x 9-1/2"
18	461023	Caster Assembly
19	48098	Spindle Shield
20	04017-16	Capscrew, 5/16-18 x 3/4"
21	461846	Discharge Chute 61V
22	04021-10	Nut, 5/16-18 Elastic Elastic Stop
23	04001-11	Bolt, 5/16-18 x 1-1/2" Hex Head
24	461868	Belt Cover (Incl. decals)
25	04043-04	Flat Washer, 3/8" Special
26	04029-03	Wing Nut, 3/8-16 (Large)
27	04110-03	U-Nut, 3/8-16
28	48926	Tapered Hub
29	04001-172	Bolt, 1/4-20 x 1" Hex Head Grade 8
30	04020-09	Nut, 5/8-11 Hex
31	48940	Pulley, Double
32	48265	Belt, RH Blade Drive
33	48088	Belt, Blade Drive
34	04021-05	Nut, 3/8-16, Nut Centerlock
35	04019-04	Nut, 3/8-16, Serrated Flange
36	04021-09	Nut, 3/8-16 Elastic Stop
37	04004-02	Bolt, 5/16-18 x 1" Hex Head
38	04001-09	Bolt, 5/16-18 x 1" Hex Head
39	04017-36	Cpscrw, 1/2-13 x 1" Ser.Flg. HH
40	04112-05	Nut, 1/2-13 Spirallock
41	04021-04	Hex Nut, 5/16-18 Center Locknut
42	44078	J-Hook, 61V
43	48181	Idler Pulley, "V" Groove
44	04040-04	Flatwasher, 5/16"

Ref. No.	Part No.	Description
45	461091	Idler Arm Assy. (Incl. 62)
46	483176	Pad, Deck Wear
47	43028	J-Rod, Idler Pulley
48	43077	Spacer, J-Rod
49	04041-12	Washer, 3/8 x 1-1/2 x 16 ga.
50	04001-31	Bolt, 3/8-16 x 2-1/2" Hex Head
51	481024	Seal, Cutter Spindle
52	461841	Idler Arm Assy (Includes 62)
53	43277	Spacer, J-Rod
54	48677	Reief Fitting, Cutter Spindle
55	43312	Spacer, Outside, Cutter Spindle
56	43297	Spindle Bushing
57	481035	Nut, Cutter Spindle
58	481625-01	Knob, w/stud
59	04001-51	Bolt, 3/8-16 x 3-3/4" Hex Head
60	43681	Idler Pivot
61	483215	Idler Pulley, Belt Clutch
62	48224	Bearing
63	04003-12	Bolt, Carriage 5/16-18 x 3/4"
64	482295	Guide Roller
65	45944	Roller Shaft
66	481025	Seal, Cutter Spindle
67	483378	Spring, Chute Return
68	424841	Baffle Weldment 61V
69	04001-62	Bolt, 3/8-16 x 3-1/4" Hex Head
70	04003-23	Bolt, Carriage 3/8-16 x 1"
71	423972	Heatshield
72	04021-22	Nut, Hex Lock 5/16-18
73	04030-03	Lock Washer 5/16"
74	424367	Dust Shield
75	04001-22	Bolt, 3/8-16 x 2-3/4" Hex Head

## ENGINE DECK - MANUAL START

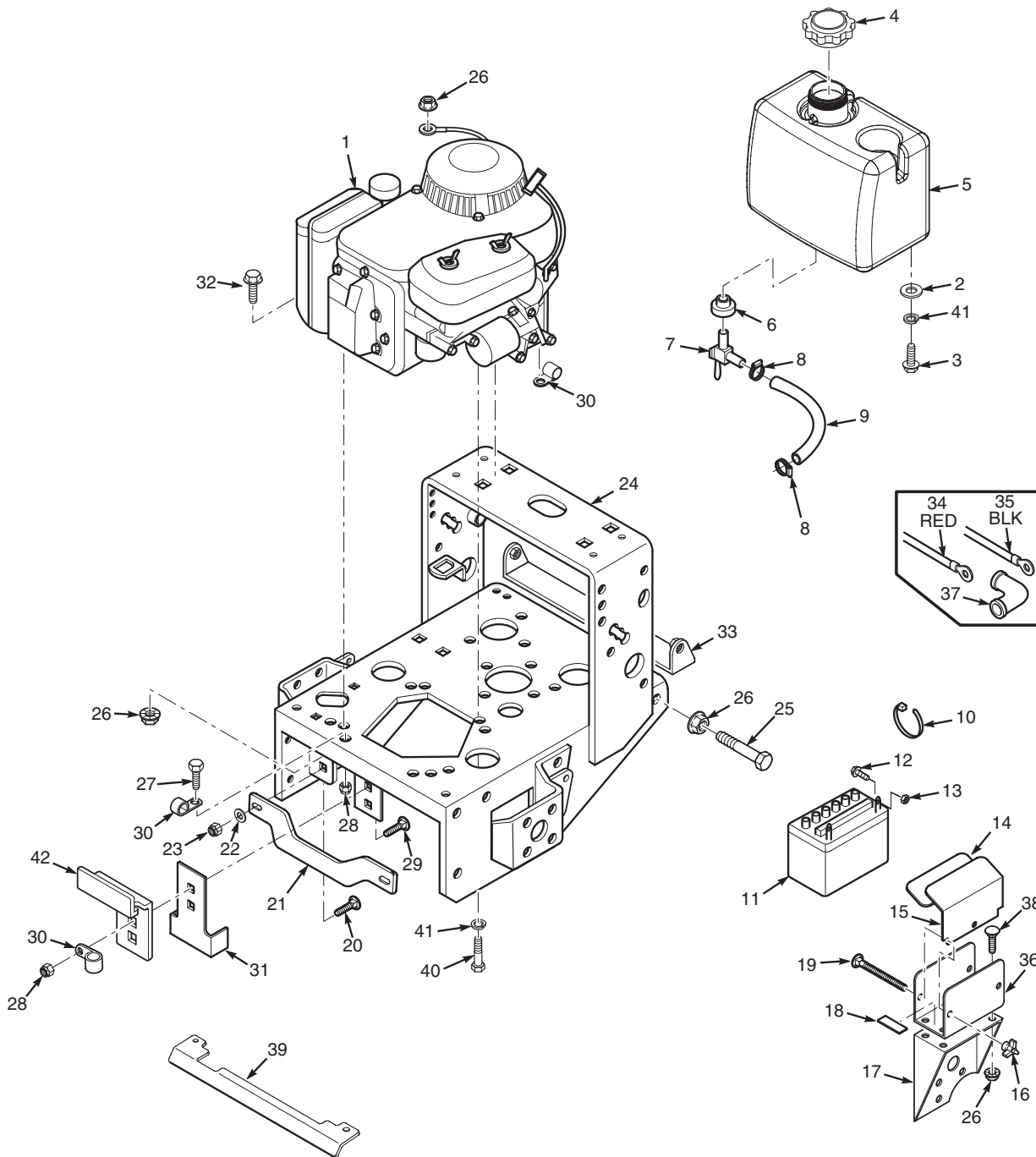


SWZ 08 EDMAN

## ENGINE DECK - MANUAL START

Ref. No.	Part No.	Description	16KAI	17KAI	19KAI
1	483263	Engine, 16HP Kawasaki (Spec FH480V-BS24-R)	X		
	482927	Engine, 17HP Kawasaki (Spec FH541V-BS38-R)		X	
	482928	Engine, 19HP Kawasaki (Spec FH580V-BS34-R)			X
2	04040-15	Flatwasher, 5/16 - .375 x .875 x .083	X	X	X
3	04001-09	Capscrew, 5/16-18 x 1" Hex Head	X	X	X
4	482547	Cap, Fuel Tank	X	X	X
5	461729	Fuel Tanks Assembly (incl. #6 & #7)	X	X	X
6	48309	Bushing	X	X	X
7	483747	Valve, Fuel Shut Off w/Screen	X	X	X
8	48059-01	Clamp, Fuel Hose	X	X	X
9	483617	Fuel Hose, 1/4" ID x 18" (order by inch)	X	X	X
10	48028-05	Cable Tie	X	X	X
11	04003-11	Bolt, Carriage 3/8-16 x 1-1/4"	X	X	X
12	424002	Brace, 16" Small Frame	X	X	X
12A	424009	Brace, 20" Large Frame		X	X
13	04043-04	Flatwasher, .391 x .938 x .105	X	X	X
14	04021-09	Nut, 3/8-16 Elastic Stop	X	X	X
15	04030-03	Lockwasher, 5/16"	X	X	X
16	461745	Engine Deck, 16" Wide w/Decals	X	X	X
16A	461748	Engine Deck, 20" Wide w/Decals		X	X
17	04017-19	Bolt, 5/16-18 x 1"Serrated Flange	X	X	X
18	0400-17	Bolt, 5/16-18 x 2" Hex Head	X	X	X
19	04019-03	Nut, 5/16-18 Serr. Flange	X	X	X
20	424661	Heatshield, 16" Small Frame		X	X
20A	424730	Heatshield, 20" Large Frame		X	X
21	45418	Pulley Guard, 16" Small Frame	X	X	X
21A	45419	Pulley Guard, 20" Large Frame		X	X
22	04021-10	Nut, 5/16-18 Elastic Stop	X	X	X
23	04003-04	Bolt, Carriage 5/16-18 x 1"	X	X	X
24	48030-09	Clamp	X	X	X
25	421370	Clutch Bracket	X	X	X
26	04017-19	Capscrew, 5/16-18 x 1-1/2" Serr. Flange	X	X	X
27	481717	Wire Harness Adapter	X	X	X
28	424620	Plate, Clutch Bracket	X	X	X

## ENGINE DECK - ELECTRIC START

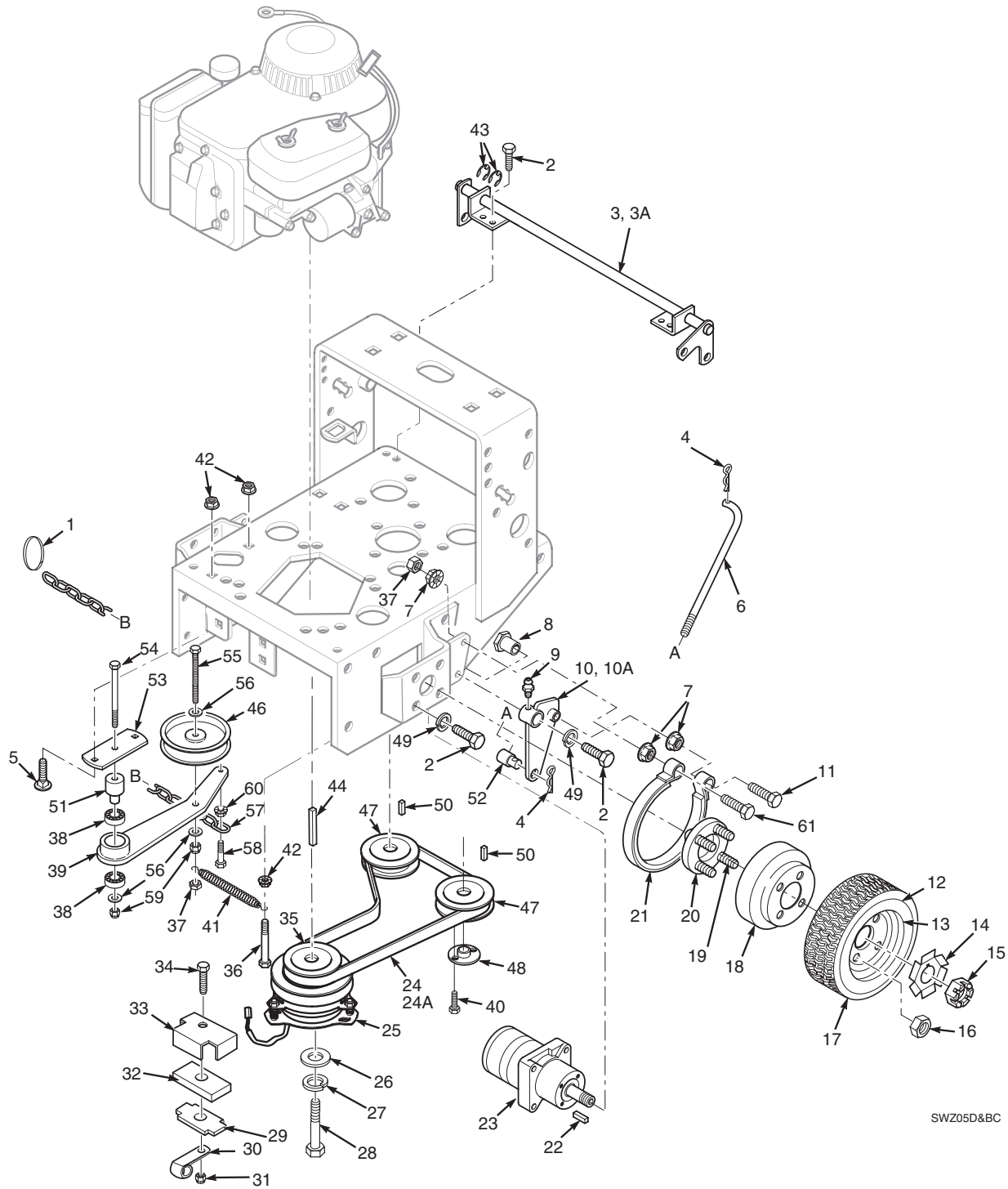


SWZ 08 EDELCT

## ENGINE DECK - ELECTRIC START

Ref. No.	Part No.	Description
1	481964	Engine, 21KAE Kawasaki (Spec FH641V-GS06-R)
2	04040-15	Flatwasher, 5/16-.375 x 875 x .083
3	04001-09	Capscrew, 5/16-18 x 1" Hex Head
4	482547	Cap, Fuel Tank
5	461729	Fuel Tank Assy. (incl. 6, 7)
6	48309	Bushing
7	483747	Valve, Fuel Shut Off w/Screen
8	48059-01	Clamp, Fuel Hose
9	483617	Fuel Hose, 1/4 ID x 20" (order by inch)
10	48028-05	Cable Tie
11	**	Battery (Not Available Through Scag)
12	04001-44	Bolt, 1/4-20 x 1/2"
13	04020-02	Nut, 1/4-20
14	48099	Pad
15	42392	Battery Cover
16	04029-01	Wing Nut, 1/4-20
17	423746	Battery Support
18	48661	Pad, Rubber
19	04003-01	Bolt, 1/4-20 x 6" Carriage
20	04003-11	Carriage Bolt, 3/8-16 X 1-1/4"
21	424009	Brace, 20" Large Frame
22	04043-04	Flat Washer .391 x .938 x .105
23	04021-09	Nut, 3/8-16 Elastic Stop
24	461748	Engine Deck, 20" Wide, w/decals
25	04001-17	Bolt, 5/16-18 x 2" Hex Head
26	04019-03	Nut, 5/16-18 Serr. Flange
27	04001-08	Hex Head Bolt, 5/16-18 x .75"
28	04021-10	Nut, 5/16-18 Elastic Stop
29	04003-04	Carriage Bolt, 5/16-18 x 1"
30	48030-09	Clamp
31	421370	Clutch Bracket
32	04017-19	CapScrw, 5/16-18 x 1.50" Serrated Flg.
33	45419	Pulley Guard, 20" Frame
34	48029-02	Battery Cable, 31.5" Red
35	48029-14	Battery Cable, 31.5" Black
36	423308	Battery Box
37	48126	Rubber Boot
38	04003-12	Carriage Bolt, 5/16-18 x .75"
39	424730	Heatshield, 20" Large Frame
40	04017-19	Bolt, 5/16-18 x 1" Serrated Flg. Hex Head
41	04030-03	Lock Washer 5/16"
42	424620	Plate, Clutch Bracket

## DRIVE AND BRAKE COMPONENTS

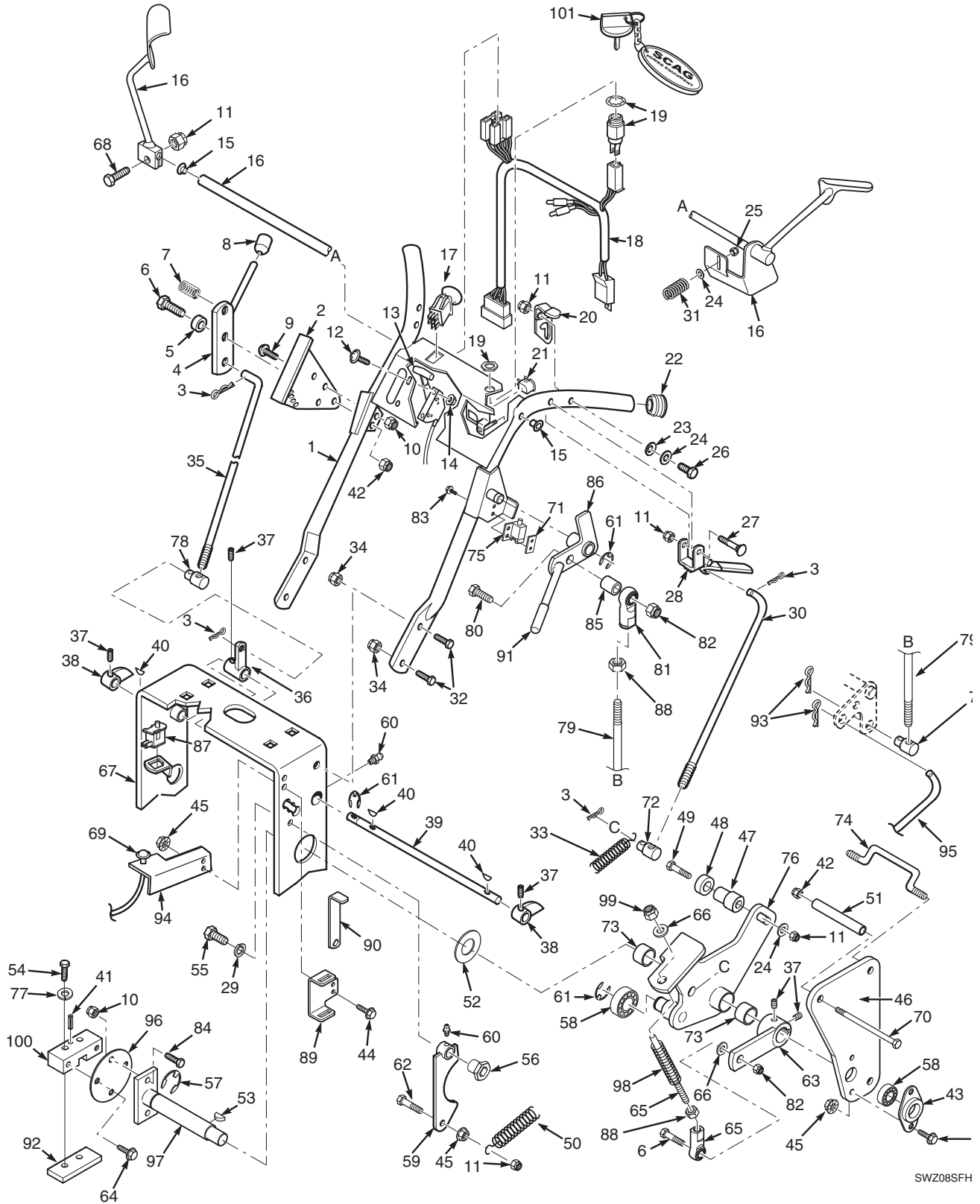


SWZ05D&BC

## DRIVE AND BRAKE COMPONENTS

Ref. No.	Part No.	Description	16KAI	17KAI	19KAI	21KAE
1	481876	Ring, Split	X	X	X	X
2	04001-19	Bolt, 3/8-16 x 1" Hex Head	X	X	X	X
3	45842	Brake Shaft Assembly Weldment, 16" Small Frame	X	X	X	
3A	45854	Brake Shaft Assembly Weldment, 20" Large Frame			X	X
4	04062-01	Hair Pin Cotter, .094 x 1.62	X	X	X	X
5	04003-12	Carrage Bolt, 5/16-18 x .75"	X	X	X	X
6	44126	Rod, Brake Lower	X	X	X	X
7	04019-04	Nut, 3/8-16 Serr. Flange	X	X	X	X
8	43415	Bushing, Brake	X	X	X	X
9	48114-05	Grease Fitting	X	X	X	X
10	45860	Brake Actuator Weldment-LH	X	X	X	X
10A	45861	Brake Actuator Weldment-RH	X	X	X	X
11	04001-46	Bolt, 3/8-16 x 2-1/4"	X	X	X	X
12	481618	Tire, 16 x 6.50, 4 ply	X	X	X	X
13	481890	Rim Assy	X	X	X	X
14	422214	Lock Washer, Wheel Motor	X	X	X	X
15	48679	Hex Castle Nut, 3/4-28 UNEF	X	X	X	X
16	04028-02	Nut, Lug	X	X	X	X
17	481502	Wheel Assy., (incl. 12,13)	X	X	X	X
18	422215	Brake Drum	X	X	X	X
19	04008-01	1/2-20 Serrated Bolt	X	X	X	X
20	46928	Hub, Wheel	X	X	X	X
21	481470	Brake Band, 7.5"	X	X	X	X
22	04063-07	Key, 3/16 X .75 Woodruff	X	X	X	X
23	481416	Wheel Motor	X	X	X	X
24	48553	Belt, Pump Drive, 16" Small Frame	X	X	X	
24A	48587	Belt, Pump Drive, 20" Large Frame			X	X
25	461397	Electric Clutch	X	X	X	X
26	04041-28	Flat Washer .469 x 1.75 x .25	X	X	X	X
27	04030-05	Lock Washer, 7/16"	X	X	X	X
28	04102-05	Hex Head Bolt, 7/16-20 x 2-3/4"	X	X	X	X
29	422534	Plate, Backing	X	X	X	X
30	48030-09	Clamp	X	X	X	X
31	04021-10	Nut, 5/16-18 Elastic Stop	X	X	X	X
32	481716	Rubber Pad, Clutch Stop	X	X	X	X
33	422533	Retainer, Clutch Stop	X	X	X	X
34	04001-12	Hex Head Bolt, 5/16-18 x 1.75"	X	X	X	X
35	482755	Pulley, Pump Drive Engine	X	X	X	X
36	04001-13	Hex Head Bolt, 5/16-18 x 2.75"	X	X	X	X
37	04021-05	Nut, 3/8-16 Center Lock	X	X	X	X
38	48224	Ball Bearings	X	X	X	X
39	461783	Idler Arm Weldment, Pump (incl. 38)	X	X	X	X
40	04001-172	Bolt, Hex Head 1/4-20 x 1" Grd 8	X	X	X	X
41	481835	Spring, Pump Belt Idler	X	X	X	X
42	04019-03	Nut, 5/16-18 Serr. Flange	X	X	X	X
43	04050-02	Retaining Ring, 3/4" Ext. "E"	X	X	X	X
44	04063-29	Key, 1/4x1/4 x 3.75"	X	X	X	X
45	04041-07	Flat Washer, 3/8"	X	X	X	X
46	483213	Pulley, Idler 4.5"	X	X	X	X
47	482649	Pulley, Pump Shaft	X	X	X	X
48	482085	Tapered Hub	X	X	X	X
49	04030-04	Lockwasher, 3/8"	X	X	X	X
50	04063-14	Key, 5.0 x 5.0 x 25mm	X	X	X	X
51	43504	Pivot, Idler (Long)	X	X	X	X
52	43032	Swivel Joint	X	X	X	X
53	422713	Base, Idler Pivot	X	X	X	X
54	04001-54	Bolt, Hex Head 3/8-16 x 3"	X	X	X	X
55	04001-161	Bolt, Hex Head 3/8-16 x 2.75"	X	X	X	X
56	04043-04	Flatwasher 3/8"	X	X	X	X
57	481873	Chain	X	X	X	X
58	04001-59	Bolt, Hex Head 1/4-20 x 1.25"	X	X	X	X
59	04021-09	Nut, Hex Elastic Stop 3/8-16	X	X	X	X
60	04019-02	Nut, Serrated Flange 1/4-20	X	X	X	X
61	04001-151	Bolt, Hex Head 3/8-16 x 2.63"	X	X	X	X

## HANDLE ASSEMBLY - 16" SMALL FRAME

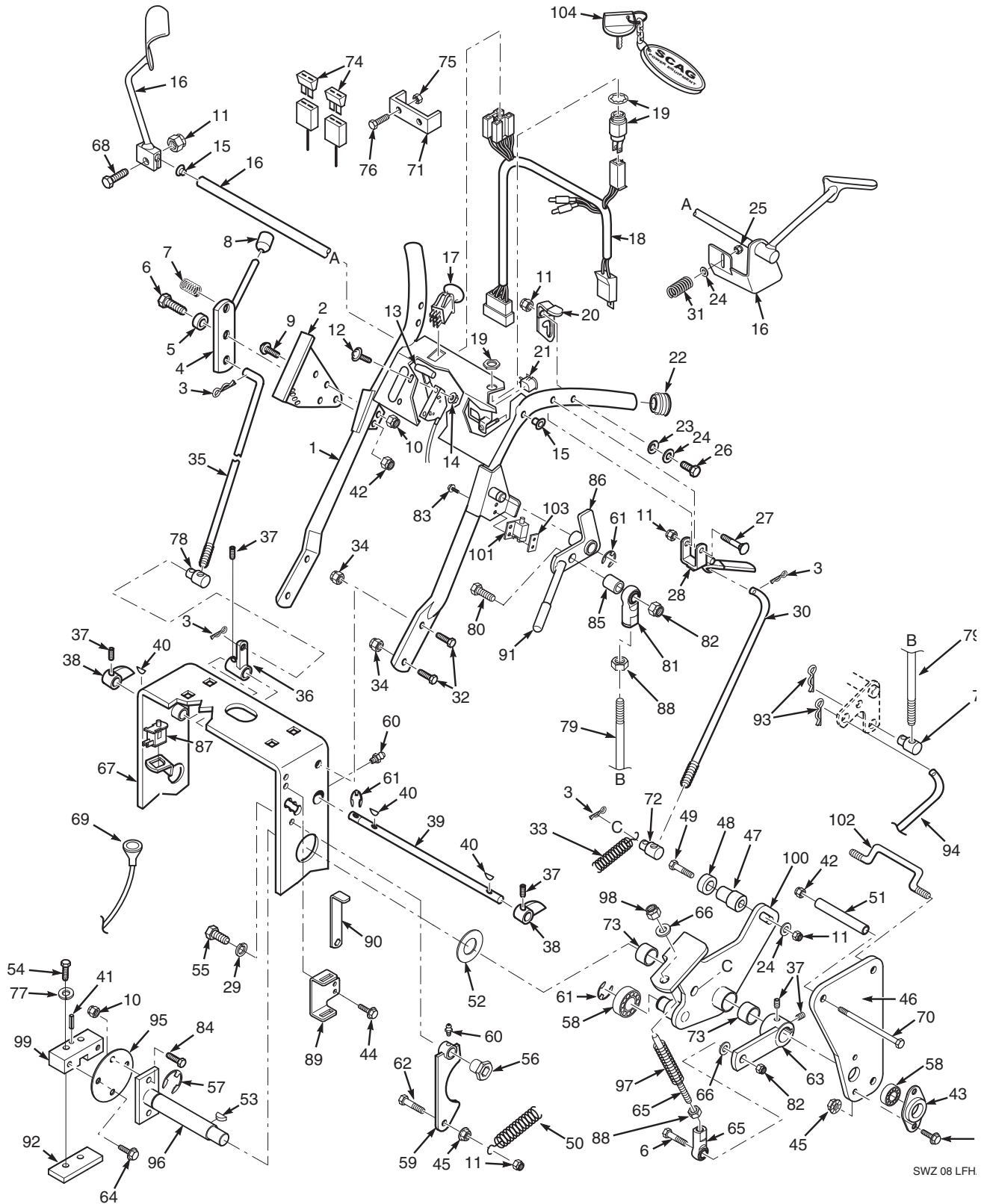


## HANDLE ASSEMBLY - 16" SMALL FRAME

Ref. No.	Part No.	Description
1	461976	Upper Handle W/mt. W/Decals
2	42675	Quadrant, Speed Control
3	04062-02	Hairpin, .094 x 1.19
4	45282	Lever, Speed Adjustment
5	43086	Bushing, Speed Adjustment Lever
6	04001-20	Hex Head Bolt, 3/8-16 x 1.5"
7	48493-01	Ball Plunger
8	48092	Knob, Speed Adjustment
9	04014-01	Capscrew, 1/4-20 x 3/4" FHHS
10	04021-08	Nut, 1/4-20 Elastic Stop
11	04021-10	Nut, 5/16-18 Elastic Stop
12	04010-01	Screw, #10-32 x 1/2" PW HD
13	48946	Throttle Control
14	04019-01	Nut, #10-32 Serr. Flange
15	483142	Bushing
16	451917	Handle, Oper. Presence-RH
	451915	Handle, Oper. Presence-LH
17	483957	Switch, Electric Clutch Engage
18	482686	Wire Harness, Manual Start
19	48609	Key Switch, Manual Srt. (inc. Hdw)
20	461242	Neutral Latch-RH
	461241	Neutral Latch-LH
21	48717	Switch, Neutral Interlock
22	483161	Plug, Handlebar
23	04032-01	Washer, Curved Spring
24	04040-15	Flat Washer
25	04021-10	Nut, 5/16-18 Elastic Stop
26	04001-17	Hex Head Bolt, 5/16-18 x 2"
27	04001-53	Hex Hd. Bolt, 5/16-18 x 2.5"
28	483160	Lever, Steering Control
29	04030-04	Lockwasher, 3/8 Spring
30	44141	Rod, Steering Control
31	483040	Spring, Operator Presence
32	04017-27	Capscr., 3/8-16 x 1" Ser. Flange
33	483470	Spring
34	04019-04	Nut, 3/8-16 Serr. Flange
35	44142	Rod Speed Control
36	451562	Bellcrank, Speed Control
37	04012-02	Setscrew, 1/4-28 x .25"
38	46335	Cam, Speed Control (incl. 37)
39	43166	Jackshaft, Speed Control
40	04063-13	Key, 1/8 x 1/2" Woodruff
41	04060-06	Roll Pin, 3/16-.75
42	04021-10	Nut, Elastic Stop 3/8-16
43	48223	Flange, Bearing
44	04017-17	Capscrew, 5/16-18 x 1" Serr. Flg.
45	04019-03	Nut, 5/16-18 Serrated Flange
46	422795	Plate, Side
47	43536	Spacer, Neutral Bearing
48	48409	Bearing, Speed Ctrl. Bellcrank
49	04001-69	Hex Head Bolt, 5/16-18 x 1-3/4"
50	48494-02	Spring, Return
51	43522	Spacer, Side Plate
52	04041-08	Flatwasher, .766 x 1.25 x .035

Ref. No.	Part No.	Description
53	04063-07	Key, Woodruff, 3/16 x .75
54	04001-59	Bolt, Hex Head, 1/4-20 x 1.25"
55	04001-19	Bolt, Hex Head, 3/8-16 x 1"
56	43415	Bushing, Brake
57	04050-02	Clip, Retaining .750 diameter
58	48224	Bearing, Ball Neutral Return
59	46747	Cam, Neutral (incl. grease ftng.)
60	48114-05	Grease Fitting, 1/4-28 UNF
61	04050-01	Retaining Ring, 5/8"
62	04001-09	Hex Head Bolt, 5/16-18 x 1"
63	483414	Lever, Speed Control
64	04017-05	Bolt, Hex Head 1/4-20 x .75"
65	482431	Linkage Assembly
66	04041-07	Flat Wshr., 15/16 x .3906 x 12 ga
67	461745	Deck, Engine 16" Wide
68	04001-10	Hex Head Bolt, 5/16-18 x 1.25"
69	482314	Choke Control
70	04001-152	Bolt, Hex Head 3/8-16 x 4.25"
71	422373	Plate, Threaded
72	43520	Swivel Joint, Steering Rod
73	48100-06	Bushing
74	44144	Rod, Offset
75	481545	Switch, Parking Brake
76	461964	Control, LH (inc. bush. & decal)
	461965	Control, RH (inc. bush. & decal)
77	04030-02	Lockwasher, 1/4"
78	43032	Swivel Joint
79	44143	Rod, Brake Lever
80	04001-45	Hex Hd. Bolt, 3/8-16 x 2"
81	48464	Ball Joint, RH Thread
82	04021-09	Nut, 3/8-16 Elastic Stop
83	04010-12	Screw #10-32 Slt'd Hex Wshr Hd
84	04001-01	Bolt, 1/4-20 x .75"
85	43286	Spacer
86	461605	Parking Brake Lever with Grip
87	48717	Switch, Safety
88	04020-14	Nut, 3/8-24
89	423876	Mounting Bracket, Wrench
90	423875	Wrench
91	48342	Grip, Parking Brake
92	421203	Plate, Threaded
93	04062-01	Hairpin, .094 x 1.62"
94	424113	Bracket, Choke Mtg.
95	44126	Rod, Lower Brake
96	422273	Plate, Coupler
97	451113	Shaft, Pump Control
98	481879	Spring
99	04021-09	Nut, 3/8-16 Elastic Stop
100	48829	Block, Pump Control
101	462069	Key Chain with Keys
	483609	Key with Shroud

## HANDLE ASSEMBLY - 20" LARGE FRAME



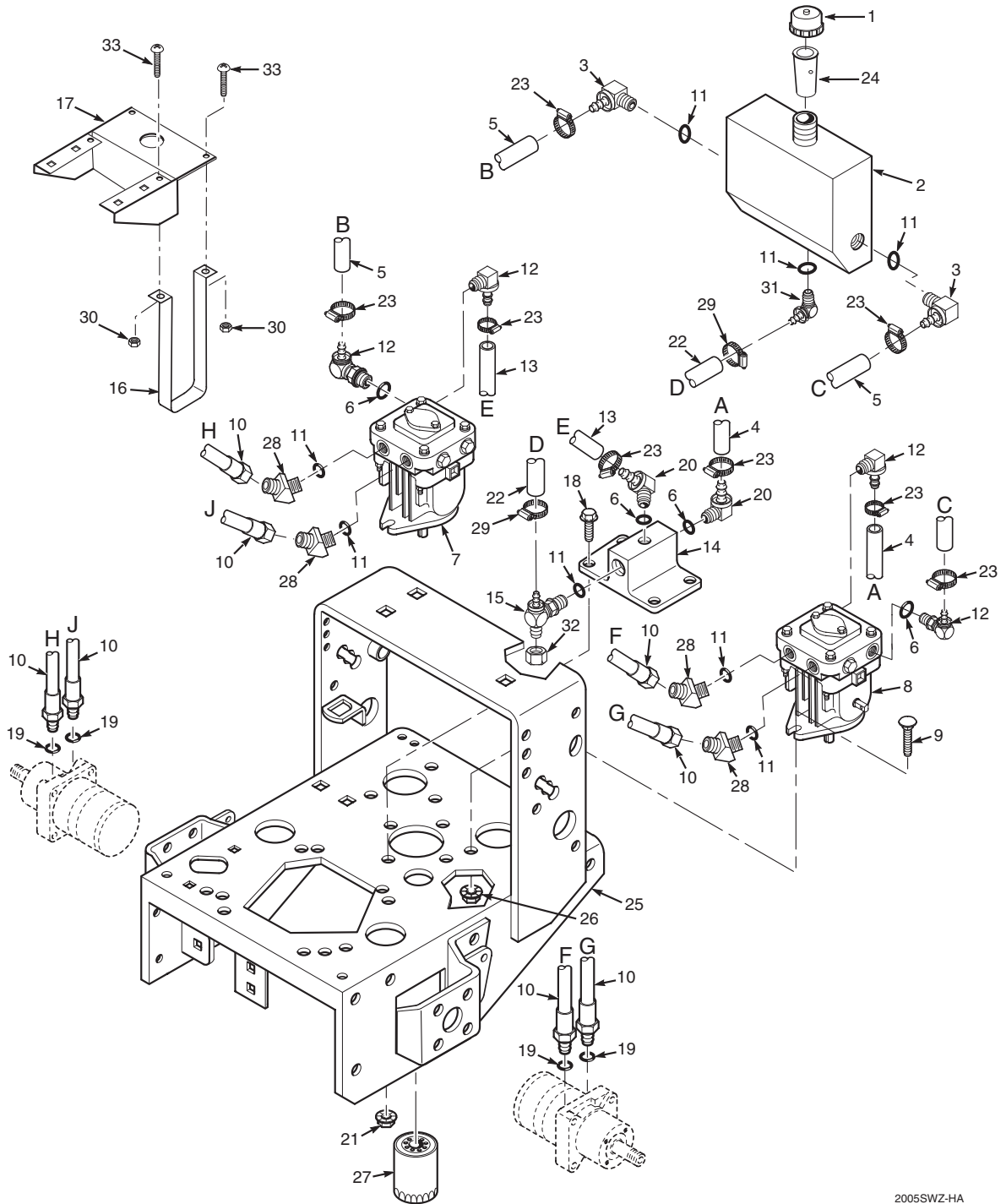
SWZ 08 LFH

## HANDLE ASSEMBLY - 20" LARGE FRAME

Ref. No.	Part No.	Description
1	461977	Upper Handle W/mt. W/Decals
2	42675	Quadrant, Speed Control
3	04062-02	Hairpin, .094 x 1.19
4	45282	Lever, Speed Adjustment
5	43086	Bushing, Speed Adjustment Lever
6	04001-20	Hex Head Bolt, 3/8-16 x 1.5"
7	48493-01	Ball Plunger
8	48092	Knob, Speed Adjustment
9	04014-01	Capscrew, 1/4-20 x 3/4" FHHS
10	04021-08	Nut, 1/4-20 Elastic Stop
11	04021-10	Nut, 5/16-18 Elastic Stop
12	04010-01	Screw, #10-32 x 1/2" PW HD
13	48946	Throttle Control
14	04019-01	Nut, #10-32 Serr. Flange
15	483142	Bushing
16	451917	Handle, Oper. Presence-RH
	451916	Handle, Oper. Presence-LH
17	483957	Switch, Electric Clutch Engage
18	482686	Wire Harness, Manual Start
	482687	Wire Harness, Electric Start
19	48609	Key Switch, Manual Srt. (inc. Hdw)
	48798	Key Switch, Electric Srt. (inc. Hdw)
20	461242	Neutral Latch-RH
	461241	Neutral Latch-LH
21	48717	Switch, Neutral Interlock
22	483161	Plug, Handlebar
23	04032-01	Washer, Curved Spring
24	04040-15	Flat Washer
25	04021-10	Nut, 5/16-18 Elastic Stop
26	04001-17	Hex Head Bolt, 5/16-18 x 2"
27	04001-53	Hex Hd. Bolt, 5/16-18 x 2.5"
28	483160	Lever, Steering Control
29	04030-04	Lockwasher, 3/8 Spring
30	44141	Rod, Steering Control
31	483040	Spring, Operator Presence
32	04017-27	Capscr., 3/8-16 x 1" Ser. Flange
33	483470	Spring
34	04019-04	Nut, 3/8-16 Serr. Flange
35	44142	Rod Speed Control
36	451562	Bellcrank, Speed Control
37	04012-02	Setscrew, 1/4-28 x .25"
38	46335	Cam, Speed Control (incl. 37)
39	43155	Jackshaft, Speed Control
40	04063-13	Key, 1/8 x 1/2" Woodruff
41	04060-06	Roll Pin, 3/16-.75
42	04021-10	Nut, Elastic Stop 3/8-16
43	48223	Flange, Bearing
44	04017-17	Capscrew, 5/16-18 x 1" Serr. Flg.
45	04019-03	Nut, 5/16-18 Serrated Flange
46	422795	Plate, Side
47	43536	Spacer, Neutral Bearing
48	48409	Bearing, Speed Ctrl. Bellcrank
49	04001-69	Hex Head Bolt, 5/16-18 x 1-3/4"
50	48494-02	Spring, Return
51	43522	Spacer, Side Plate
52	04041-08	Flatwasher, .766 x 1.25 x .035

Ref. No.	Part No.	Description
53	04063-07	Key, Woodruff, 3/16 x .75
54	04001-59	Bolt, Hex Head, 1/4-20 x 1.25"
55	04001-19	Bolt, Hex Head, 3/8-16 x 1"
56	43415	Bushing, Brake
57	04050-02	Clip, Retaining .750 diameter
58	48224	Bearing, Ball Neutral Return
59	46747	Cam, Neutral (incl. grease ftng.)
60	48114-05	Grease Fitting, 1/4-28 UNF
61	04050-01	Retaining Ring, 5/8"
62	04001-09	Hex Head Bolt, 5/16-18 x 1"
63	483414	Lever, Speed Control
64	04017-05	Bolt, Hex Head 1/4-20 x .75"
65	482431	Linkage Assembly
66	04041-07	Flat Wshr., 15/16 x .3906 x 12 ga
67	461748	Deck, Engine 20" Wide
68	04001-10	Hex Head Bolt, 5/16-18 x 1.25"
69	482314	Choke Control
70	04001-152	Bolt, Hex Head 3/8-16 x 4.25"
71	42413	Fuse Holder - 21KAE
72	43520	Swivel Joint, Steering Rod
73	48100-06	Bushing
74	48298	Blade Fuse, 20A - 21KAE
75	04021-01	Nut, #10-32 Elastic Stop - 21KAE
76	04010-03	Screw, #10-32 x 1.5" Phillips - 21KAE
77	04030-02	Lockwasher, 1/4"
78	43032	Swivel Joint
79	44143	Rod, Brake Lever
80	04001-45	Hex Hd. Bolt, 3/8-16 x 2"
81	48464	Ball Joint, RH Thread
82	04021-09	Nut, 3/8-16 Elastic Stop
83	04010-12	Screw #10-32 Slt'd Hex Wshr Hd
84	04001-01	Bolt, 1/4-20 x .75"
85	43286	Spacer
86	461605	Parking Brake Lever with Grip
87	48717	Switch, Safety
88	04020-14	Nut, 3/8-24
89	423876	Mounting Bracket, Wrench
90	423875	Wrench
91	48342	Grip, Parking Brake
92	421203	Plate, Threaded
93	04062-01	Hairpin, .094 x 1.62"
94	44126	Rod, Lower Brake
95	422273	Plate, Coupler
96	451113	Shaft, Pump Control
97	481879	Spring
98	04021-09	Nut, 3/8-16 Elastic Stop
99	48829	Block, Pump Control
100	461964	Control, LH (inc. bush. & decal)
	461965	Control, RH (inc. bush. & decal)
101	481545	Switch, Parking Brake
102	44144	Rod, Offset
103	422373	Plate, Threaded
104	462069	Key Chain with Keys
	483609	Key with Shroud

## HYDRAULIC ASSEMBLY

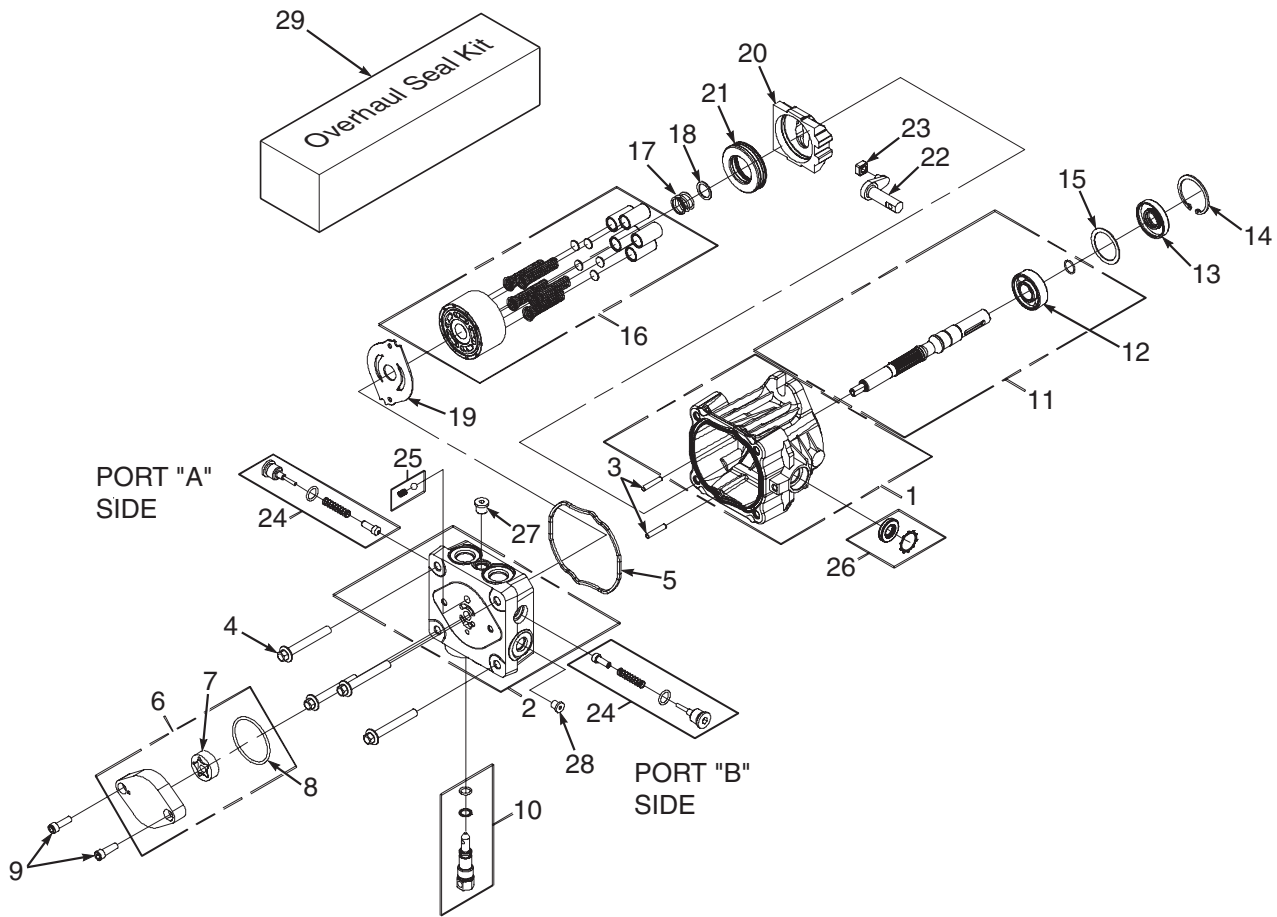


2006SWZ-HA

## HYDRAULIC ASSEMBLY

Ref. No.	Part No.	Description
1	481164	Cap, Oil Reservoir
2	461428	Oil Reservoir (With Fittings)
3	482266-01	Elbow, 9/16 O-Ring x 3/8" Hose
4	48811	Hose, 3/8" ID - 10-1/4" Long (Order By The Inch)
5	48811	Hose, 3/8" ID - 7" Long (Order By The Inch)
6	48603-06	O-Ring
7	483097	Pump, PG-1JQQ-DY1X-XXXX (R.H.)
8	483098	Pump, PG-1GQQ-DY1X-XXXX (L.H.)
9	04003-11	Bolt, Carriage, 3/8-16 x 1.25"
10	481265	Hose, Pump to Wheel Motor
11	48603-02	O-Ring
12	482266-03	Elbow, 7/16-20 O-Ring x 3/8" Hose
13	48811	Hose, 3/8" ID - 11" Long (Order By The Inch)
14	482417	Oil Filter Base
15	482477	Tee, 3/8 O-Ring x JIC x 1/2" Hose
16	422794	Strap, Hydraulic Tank
17	422793	Bracket, Hydraulic Tank
18	04017-16	Capscrew, 5/16-18 x .75" Serr. Flange
19	48603-04	O-Ring
20	482266-01	Elbow, 9/16 O-Ring x 3/8" Hose
21	04019-03	Nut, 5/16-18 Serr. Flange
22	482305	Hose, Formed 1/2" ID
23	48136-13	Clamp, .69 max dia.
24	481507	Tube, Filler Neck
25	461745	Engine Deck (16" Wide) with Decals - Small Frame
	461748	Engine Deck (20" Wide) with Decals - Large Frame
26	04019-04	Nut, 3/8-16 Serr. Flange
27	48462-01	Oil Filter
28	48485-01	Elbow, 45 Deg.-3/4-16 JIC Male x Male 3/4-16 O-Ring
29	48136-05	Clamp, .87 max di.
30	04021-08	Nut, 1/4-20
31	482202	Elbow, 3/4-16 O-Ring x 1/2" Hose
32	48571-02	Cap, 3/4-16
33	04010-10	Screw, 1/4-20 x 2.0" Round Head Phillips

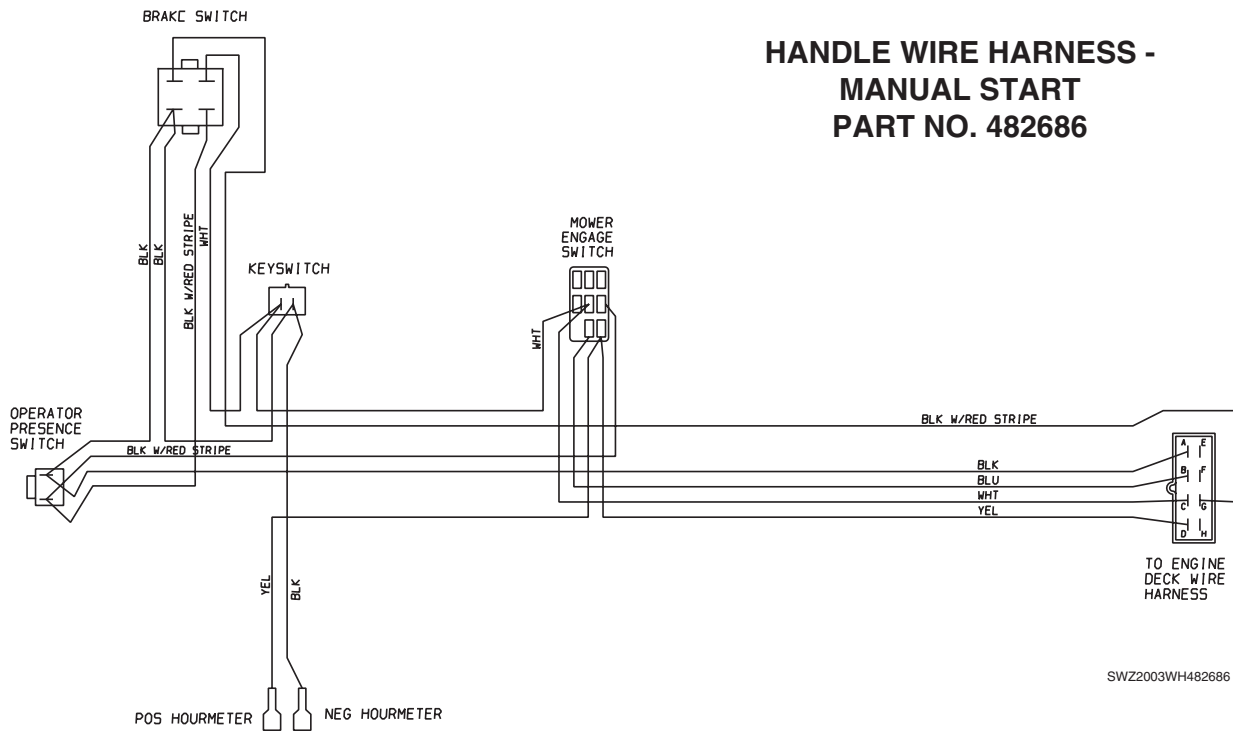
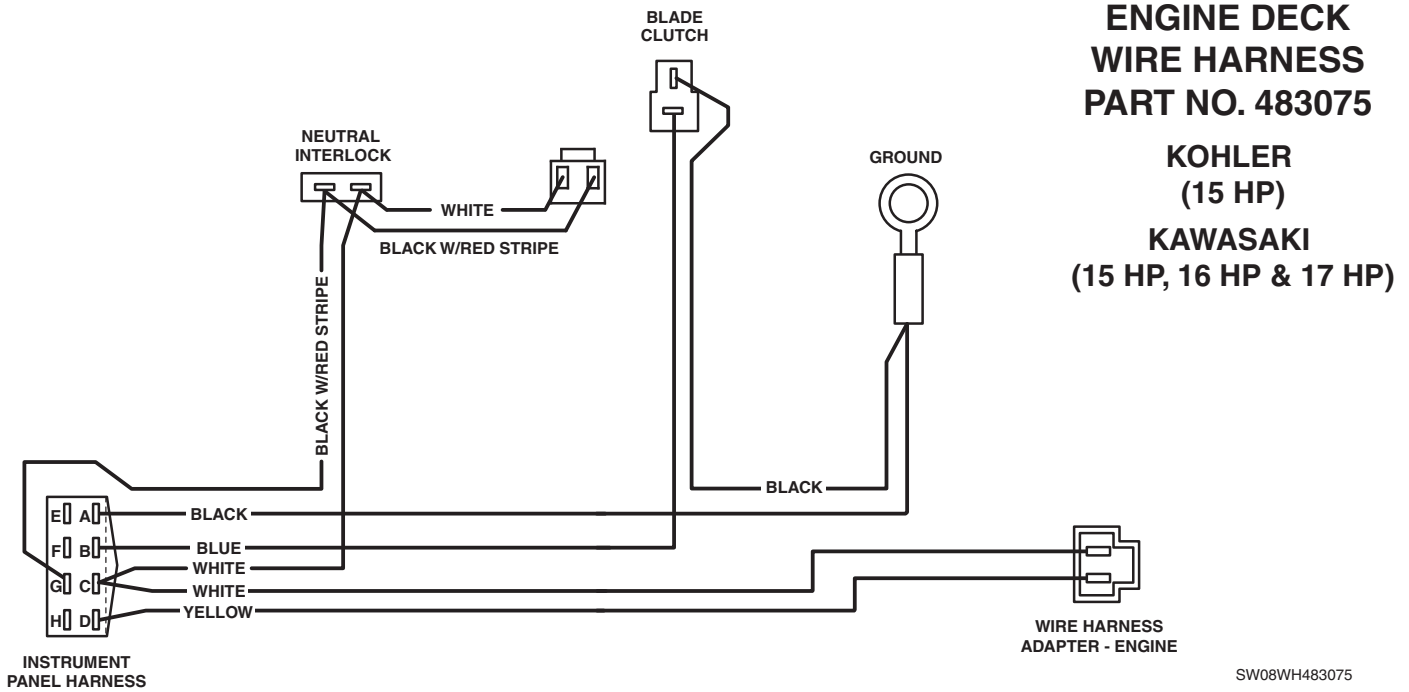
## HYDRAULIC PUMP ASSEMBLY



## HYDRAULIC PUMP ASSEMBLY

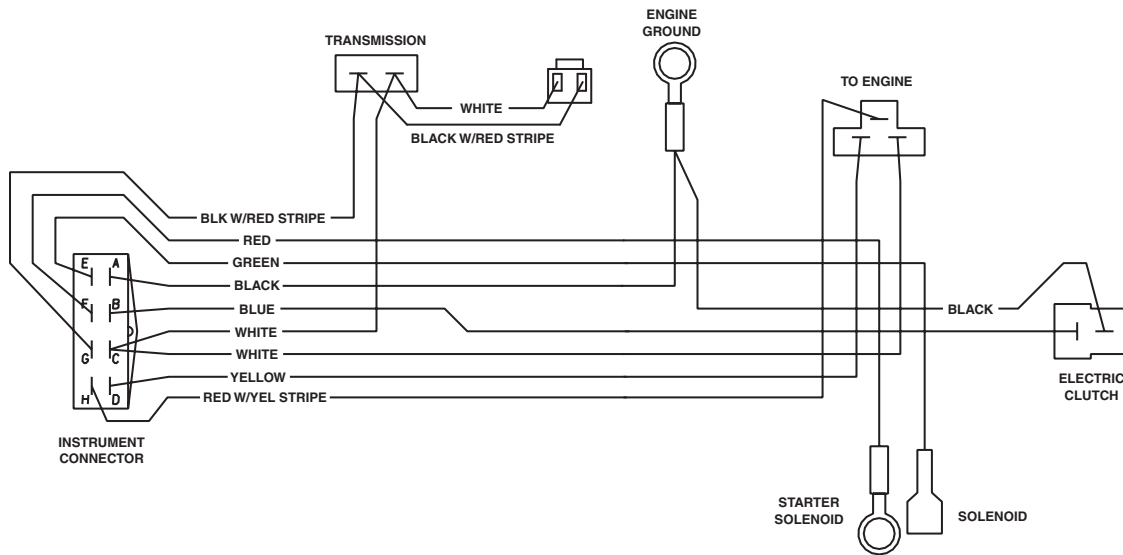
Ref. No.	Part No.	Description
1	HG 70516	Housing Kit
2	HG 70573	End Cap Kit
3	HG 50641	Straight Headless Pin
4	HG 50969	Hex Flange Bolt, M8-1.25 x 60mm
5	HG 51232	Housing O-Ring
6	HG 2513027	Charge Pump Kit
7	HG 50273	Gerotor Assembly
8	HG 9004101-1340	O-Ring
9	HG 50095	Socket Head Screw, M6 x 1.0-20mm
10	HG 2513030	Bypass Valve Kit
11	HG 70521	Pumpshaft Kit
12	HG 50315	Ball Bearing, 17 x 40 x 12
13	HG 51161	Lip Seal
14	HG 50329	Retaining Ring
15	HG 50951	Spacer
16	HG 70331	Cylinder Block Kit
17	HG 2003014	Block Spring
18	HG 2003017	Block Thrust Washer
19	HG 51444	Valve Plate
20	HG 2003087	Swash Plate
21	HG 50551	Ball Thrust Bearing
22	HG 2003005	Trunnion Arm
23	HG 2000015	Slot Guide
24	HG 2510062	Check Valve Kit (.024" Orifice) port "A" on Left Hand Pump, port "B" on Right Hand Pump
25	HG 70403	Charge Relief Kit
26	HG 2513043	Trunnion Seal with Retainer
27	HG 9005110-4400	Straight Thread Plug
28	HG 50408	Straight Headless Pin
29	HG 70525	Overhaul Seal Kit

## WIRE HARNESSES

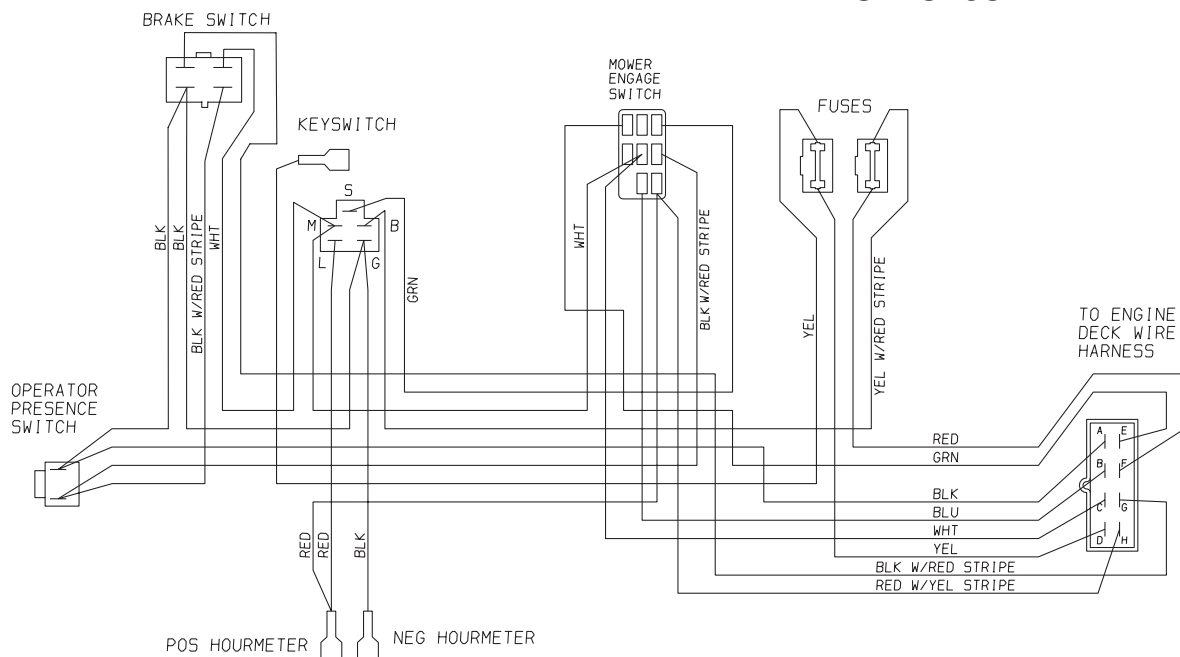


## WIRE HARNESSSES

### ENGINE DECK WIRING HARNESS KAWASAKI ELECTRIC START PART NUMBER: 483076



### HANDLE WIRING HARNESS KAWASAKI ELECTRIC START PART NO. 482687



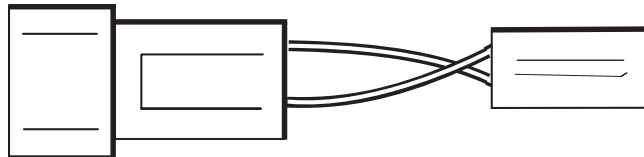
## WIRE HARNESSSES

### WIRE HARNESS ADAPTER

PART NO. 481717

KAWASAKI

(15 HP, 16 HP & 17 HP)



SW2006WH481717

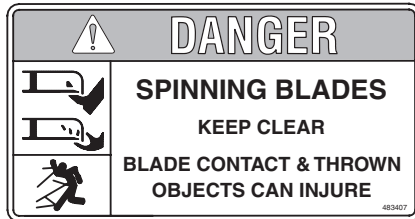
## REPLACEMENT DECALS AND INFORMATION PLATES



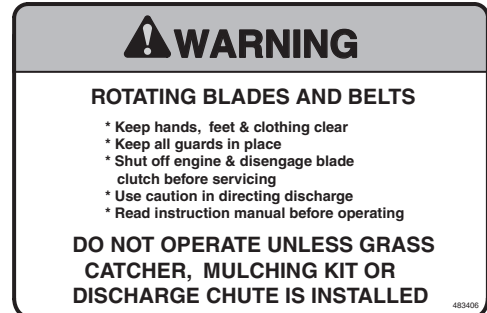
1



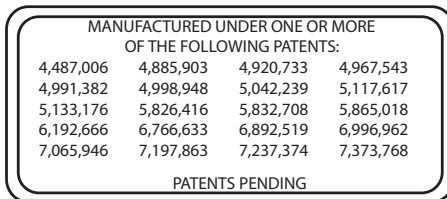
2



3



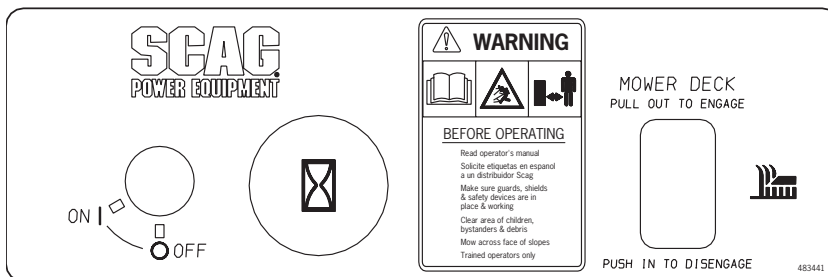
4



5



6



7

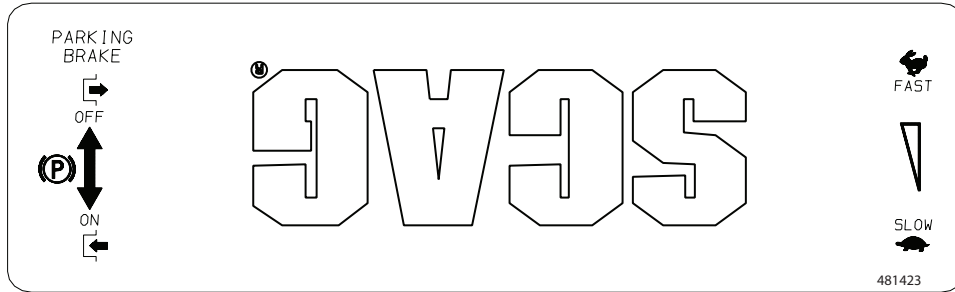


8

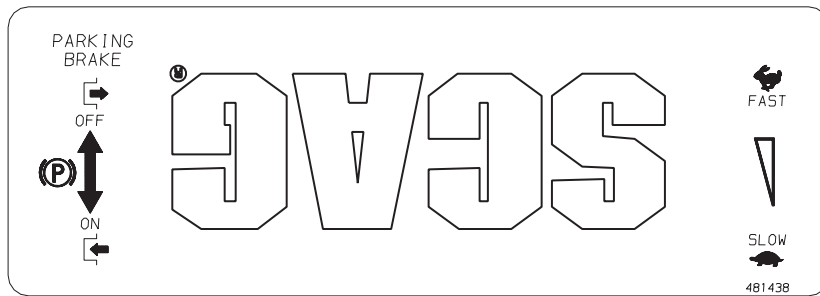


9

## REPLACEMENT DECALS AND INFORMATION PLATES



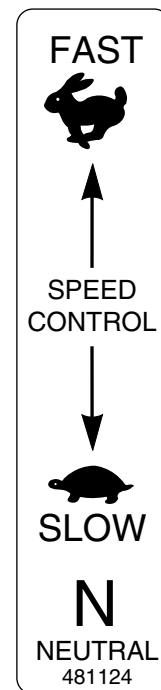
10



11



12



15



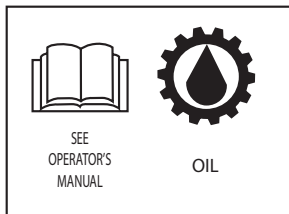
13



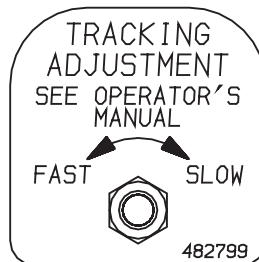
14

## REPLACEMENT DECALS AND INFORMATION PLATES

Ref. No.	Part No.	Description
1	483405	Decal, Discharge Chute
2	48314	Decal, Scag Logo
3	483407	Decal, Danger-Spinning Blades
4	483406	Decal, Warning-Rotating Blades
5	483044	Decal, Patents
6	48404	Decal, Metalcraft - Made in USA
7	483441	Decal, Instrument Panel - Rear
8	483404	Decal, Sulky Attachment
9	483402	Decal, Belt Cover
10	481423	Decal, Instrument Panel - Front (SWZ-19KAI & SWZ-21KAE only)
11	481483	Decal, Instrument Panel - Front
12	482297	Decal, 36 Advantage
13	483199	Decal, 48 Velocity Plus
	483200	Decal, 52 Velocity Plus
	483201	Decal, 61 Velocity Plus
14	481971	Decal, Heavy Duty Commercial
15	481124	Decal, Speed Control
16	481942	Decal, Scag Zero Turn
17	481425	Decal, Oil
18	482799	Decal, Tracking Adjustment
19	482816	Decal, Height of Cut
**	461986	Spanish Decal Kit, Walk-Behinds (Not Shown)



17



18

482816		CUTTING HEIGHT ADJUSTMENT					
		DECK MOUNTING HOLE POSITION					
		NUMBER OF CASTER SPACERS (BELOW SUPPORT)					
		NUMBER OF SPACERS ABOVE CUTTER BLADES					
		0	1	2	3	4	5
TOP	0	-	-	2-3/8	2-1/8	1-7/8	1-5/8
MIDDLE	0	-	-	2-5/8	2-3/8	2-1/8	1-7/8
MIDDLE	1	-	-	2-3/4	2-1/2	2-1/4	2
BOTTOM	2	-	-	-	-	2-7/8	2-5/8
BOTTOM	3	-	4	3-3/4	3-1/2	3-1/4	3
BOTTOM	4	4-3/8	4-1/8	3-7/8	3-5/8	3-3/8	3-1/8

19



16