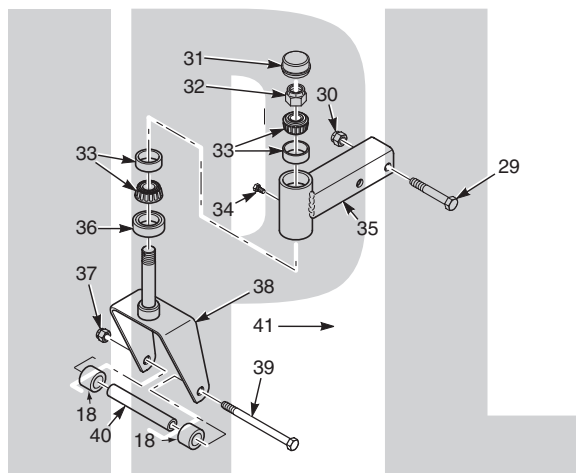


SCAG[®]

POWER EQUIPMENT



ILLUSTRATED PARTS MANUAL



Model STT-Diesel Turf Tiger

THIS MANUAL CONTAINS THE ILLUSTRATED PARTS LIST FOR MODELS:

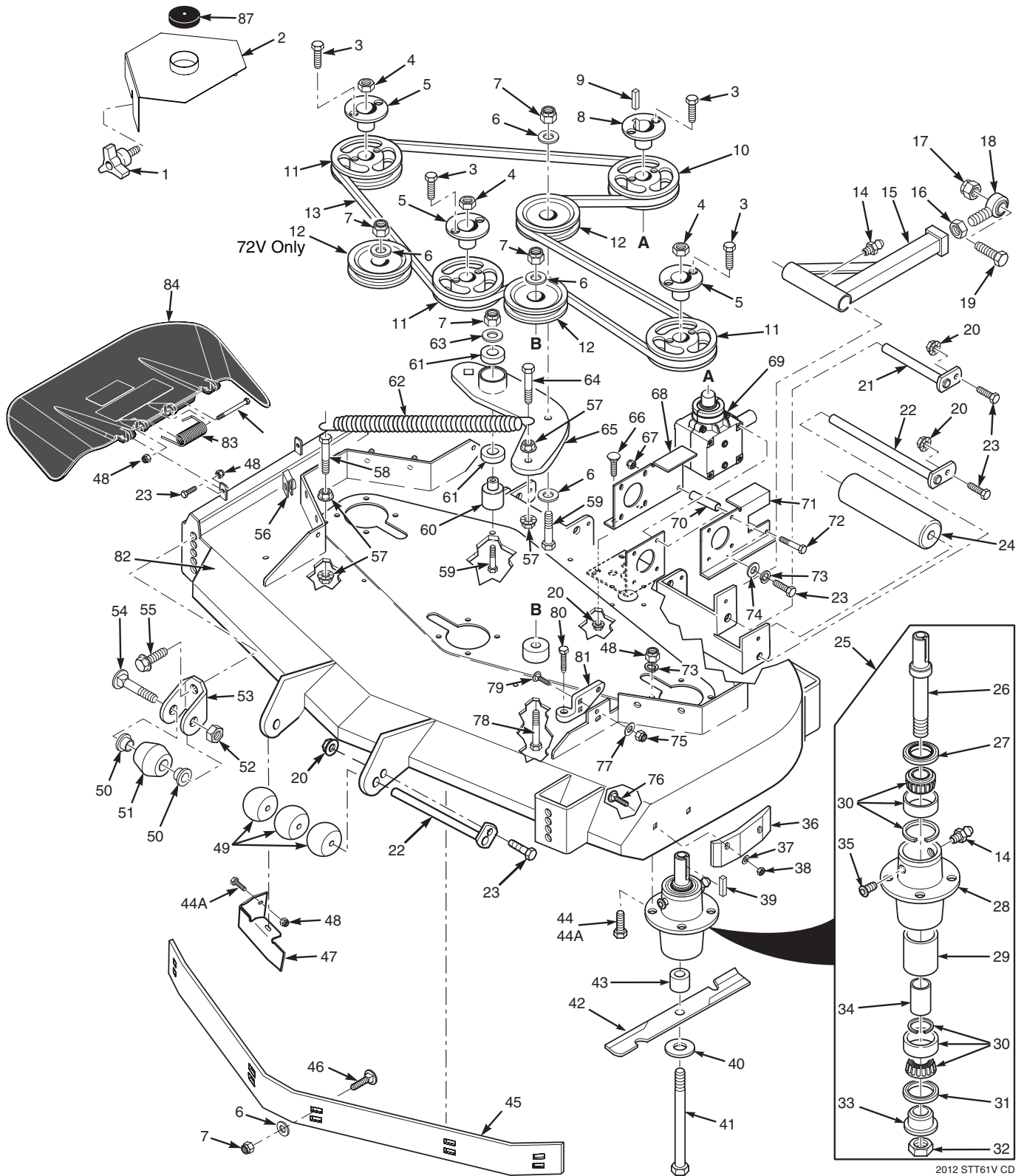
STT61V-25KBD
STT72V-25KBD
STT-25KBD

with a serial number of K1600001 to K1699999
with a serial number of K2300001 to K2399999
with a serial number of K2800001 to K2899999

Table of Contents

61V & 72VS CUTTER DECKS	2
CUTTER DECK CONTROLS	4
SHEET METAL COMPONENTS	6
STT ROLL-OVER PROTECTION SYSTEM	8
STT SUSPENSION SEAT	10
DECK DRIVE COMPONENTS	12
ENGINE & ATTACHING PARTS - KUBOTA DIESEL	14
BRAKE AND STEERING COMPONENTS	16
FUEL AND HYDRAULIC SYSTEM - KUBOTA DIESEL	18
BDP-16A HYDRAULIC PUMP ASSEMBLY WITH COOLING FAN	20
ELECTRICAL SYSTEM - KUBOTA DIESEL	22
REPLACEMENT DECALS AND INFORMATION PLATES	24
ELECTRICAL SCHEMATIC - KUBOTA DIESEL	26

61V & 72VS CUTTER DECKS



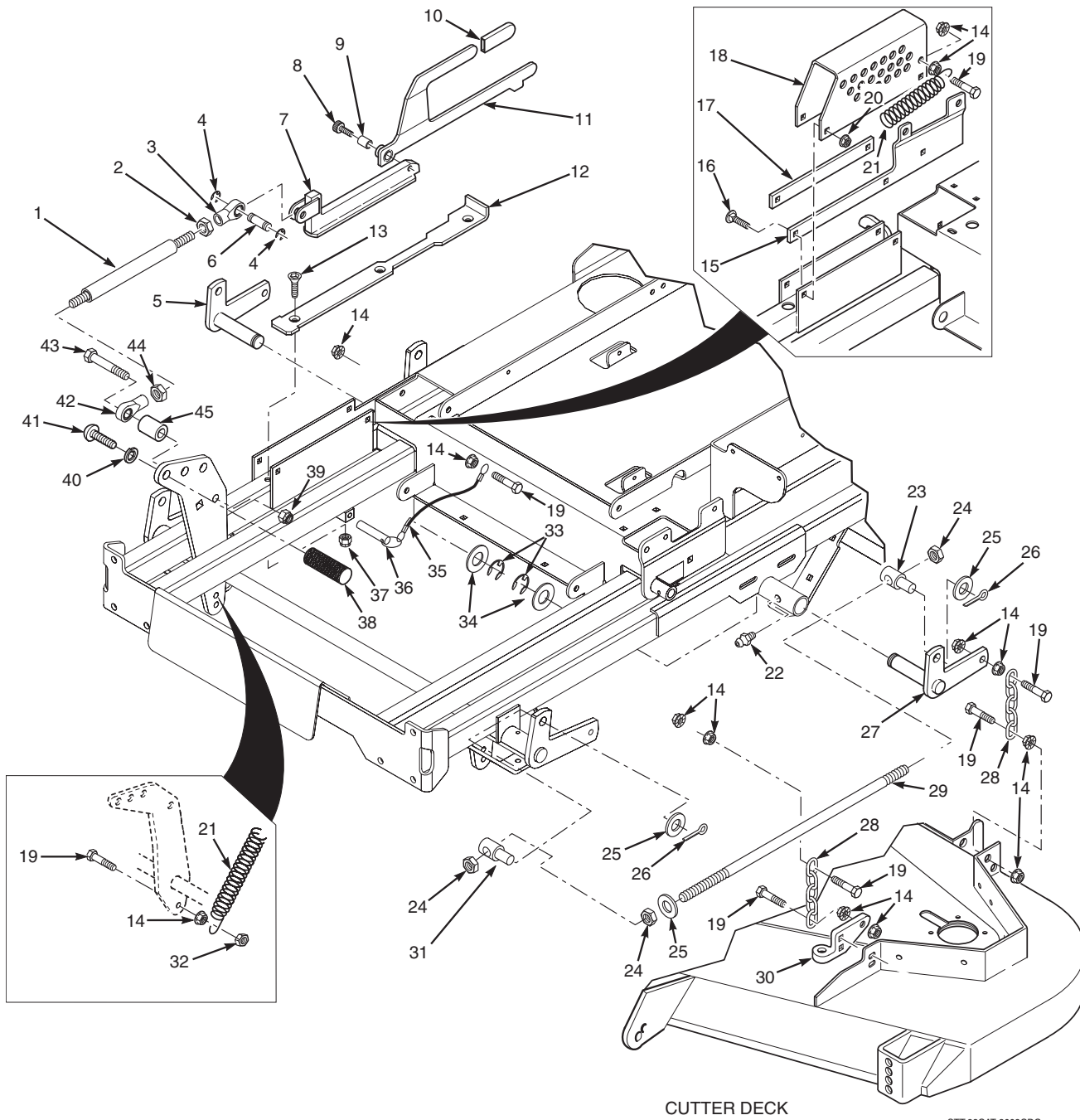
Section 8

61V & 72VS CUTTER DECKS

Ref. No.	Part No.	Description	61	72
1	481625-01	Wing Nut, 3/8-16	X	X
2	462360	Belt Cover Assembly	X	
	462398	Belt Cover Assy., RH		X
	462397	Belt Cover Assy., LH		X
3	04001-172	Bolt, Hex Head 1/4-20 x 1" Grd 8	X	X
4	04020-09	Nut, 5/8-11 UNC	X	X
5	48926	Tapered Hub, 1-1/8" Bore	X	X
6	04041-07	Flatwasher, 3/8" (.391 x .938 x .105)	X	X
7	04021-09	Nut, Hex Elastic Stop 3/8-16	X	X
8	48141	Tapered Hub, 1" Bore	X	X
9	04063-0	Key, 1/4 x 1/4 x 1-1/4"	X	X
10	482746	Pulley, 6.75 O.D.	X	
	482747	Pulley, 6.95 O.D.		X
11	482745	Pulley, 6.35 O.D.	X	
	482744	Pulley, 5.75 O.D.		X
12	483215	Pulley, Idler	X	X
13	481558	Belt, Cutter Deck Drive	X	
	481980	Belt, Cutter Deck Drive		X
14	48114-04	Grease Fitting	X	X
15	461516	Pusharm (incl. items 14, 16, & 18)	X	X
16	04020-16	Nut, Hex Head 5/8-18 UNF	X	X
17	04021-13	Nut, Hex Elastic Stop 5/8-11	X	X
18	48763	Rod End, 5/8" Male RH Thread	X	X
19	04001-79	Bolt, Hex Head 5/8-11 x 4-1/2"	X	X
20	04019-03	Nut, Hex Serrated Flange 5/16-18	X	X
21	451240	Push Arm Shaft	X	X
22	45944	Roller Shaft	X	X
23	04001-12	Bolt, Hex Head 5/16-18 x 1-3/4"	X	X
24	48038	Wheel, Anti-Scalp	X	X
25	461663	Spindle Assembly	X	X
26	43589	Spindle Shaft	X	X
27	481024	Seal, Top	X	X
28	43644	Spindle Housing	X	X
29	43312	Spacer, Outside	X	X
30	481022	Bearing Assembly	X	X
31	481025	Seal, Bottom	X	X
32	481035	Nut, Special 1-1/16-18	X	X
33	43297	Spindle Bushing, Bottom	X	X
34	43296	Spacer, Inside	X	X
35	48677	Relief Fitting	X	X
36	483176	Wear Pad	X	
	483174	Wear Pad		X
37	04040-04	Flatwasher, 5/16"	X	X
38	04021-04	Nut, Center Lock 5/16-18	X	X
39	04063-08	Key, 1/4 x 1/4 x 2"	X	X
40	04043-06	Flatwasher, 5/8" Hardened	X	X
41	04001-41	Bolt, Hex Head 5/8-11 x 9-1/2"	X	X
42	482879	Cutter Blade, 21"	X	
	482882	Cutter Blade, 24.5"		X
43	43590	Spacer, Spindle Bottom	X	X
44	04001-176	Bolt, Hex Head 5/16-18 x 1-3/4"	X	X

Ref. No.	Part No.	Description	61	72
45	424841	Baffle, Custom Cut 61V	X	
	424917	Baffle, Custom Cut 72V		X
46	04003-23	Bolt, Carriage 3/8-16 x 1"	X	X
47	424209	Discharge Baffle 61V	X	
	424856	Discharge Baffle 72V		X
48	04021-22	Nut, Hex Elastic Stop 5/16-18 Grd 8	X	X
49	482295	Wheel, Anti-Scalp	X	X
50	48100-15	Bushing, .376 I.D. Oilite	X	X
51	481632	Anti-Scalp Wheel	X	X
52	04021-05	Locknut, 3/8-16 Center Lock	X	X
53	422478	Anti-Scalp Wheel Bracket	X	X
54	04003-26	Bolt, Carriage 3/8-16 x 4"	X	X
55	04017-27	Bolt, Hex Serrated Flange 3/8-16 x 1"	X	X
56	04110-03	U-Nut, 3/8-16	X	X
57	04019-04	Nut, Hex Serrated Flange 3/8-16	X	X
58	04001-20	Bolt, Hex Head 3/8-16 x 1-1/2"	X	X
59	04001-54	Bolt, Hex Head 3/8-16 x 3"	X	X
60	43681	Pivot, Idler	X	X
61	48224	Bearings, Ball	X	X
62	483704	Spring, Cutter Deck	X	X
63	04043-04	Flatwasher, 3/8-.39 x .938 x .105 HD	X	X
64	04001-136	Bolt, Hex Head 3/8-16 x 1-1/2" Grd 8	X	X
65	461842	Idler Arm, Cutter Deck	X	X
66	04003-12	Bolt, Carriage 5/16-18 x 3/4"	X	X
67	04021-10	Nut, Elastic Stop 5/16-18	X	X
68	424798	Mounting Plate, RH Gearbox	X	X
69	482486	Gearbox Assembly, Deck Drive	X	X
70	43763	Spacer, Gearbox Mount	X	X
71	424799	Mounting Plate, LH Gearbox	X	X
72	04001-154	Bolt, Hex Head 5/16-18 x 4-3/4"	X	X
73	04030-03	Lockwasher, 5/16"	X	X
74	04040-15	Flatwasher, 5/16" (.375 x .875 x .083)	X	X
75	04021-11	Nut, Elastic Stop 7/16-14	X	X
76	04003-12	Bolt, Carriage 5/16-18 x 3/4"	X	X
77	04040-11	Flatwasher, 7/16-.500 x 1.25 x .083	X	X
78	04001-62	Bolt, Hex Head 3/8-16 x 3-1/4"	X	X
79	04003-40	Bolt, Carriage 7/16-14 x 1-1/4"	X	X
80	483167	Bolt, Deck Adjust	X	X
81	461929	Lever Assy, Deck Level (Incl.80)	X	X
82	461863	Cutter Deck 61 V w/Decals	X	
	462144	Cutter Deck 72 V w/Decals		X
83	483378	Spring, Discharge Chute	X	X
84	461846	Discharge Chute Assembly	X	
	462132	Discharge Chute Assembly		X
85	04001-108	Bolt, Hex Head 5/16-18 x 4-1/2"	X	X
86	04003-37	Bolt, Carriage 5/16-18 x 1-1/4"	X	X
87	484368	Cap, Spindle	X	X

CUTTER DECK CONTROLS

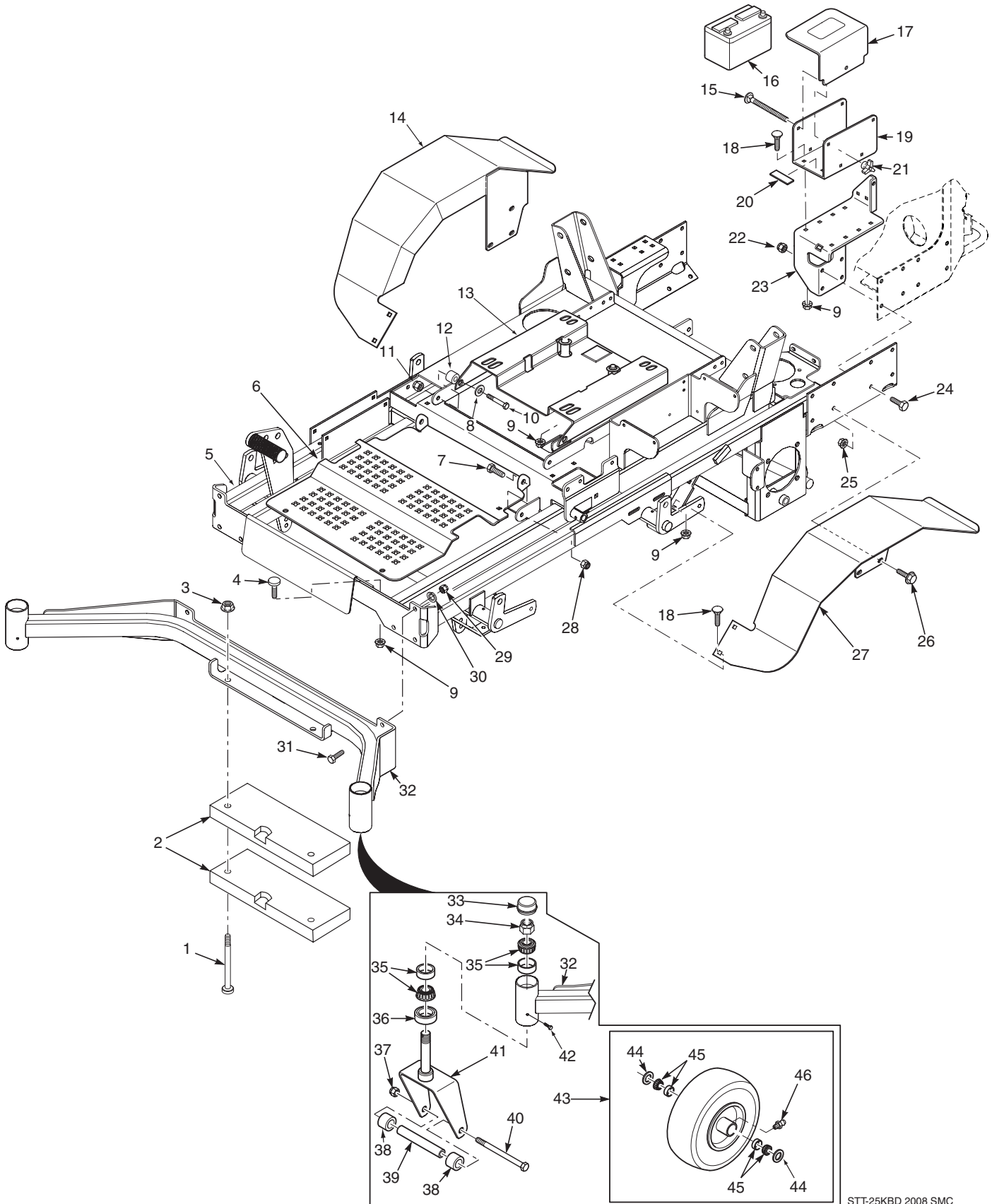


STT-28CAT 2008CDC

CUTTER DECK CONTROLS

Ref. No.	Part No.	Description
1	481764	Link, Deck Lift
2	04020-28	Nut, Jam 1/2-20 LH
3	481766	Rod End, Female - 1/2-20 LH
4	04050-10	Ring, Retaining 1/2" External "E"
5	45905	Bellcrank Weldment, RH Rear
6	43487	Pin, Decklift
7	482429	Slide Weldment, Height Adjustment
8	04009-02	Bolt, Shoulder 1/2 x 3/4"
9	48100-14	Bushing, .502 ID.
10	481428	Grip, Deck Latch
11	462102	Deck Latch (Includes items 9 & 10)
12	424857	Lockplate, Decklift
13	04014-03	Screw, Cap 5/16-18 x 3" FHHS
14	04019-04	Nut, Hex Serrated Flange 3/8-16
15	423509	Guide, Long
16	04003-04	Bolt, Carriage 5/16-18 x 1"
17	422381	Guide, Short
18	423463	Bracket, Cutting Height Adjustment
19	04001-20	Bolt, Hex Head 3/8-16 x 1-1/2"
20	04019 -03	Nut, Hex Serrated Flange 5/16-18
21	481598	Spring, Helper (61" & 72" Cutter Decks Only)
22	48114-04	Grease Fitting
23	43526	Swivel Joint, LH
24	04020-09	Nut, Hex 5/8-11
25	04040-09	Flatwasher, 5/8" (.656 x 1.312 x .095)
26	04061-07	Cotter Pin, 3/16 x 1"
27	45904	Bellcrank Weldment, LH Rear
28	48540	Chain
29	04004-48	Stud, 5/8-11 x 26.0"
30	461929	Lever Assembly, Deck Level
31	43527	Swivel Joint, RH
32	04021-05	Locknut, 3/8-16 Center Lock
33	04050-08	Ring, Retaining 1" External "E"
34	04041-14	Flatwasher, 1" (1.062 x 1.50 x .048)
35	481547	Lanyard, Deck Height Pin
36	04067-09	Ring Pin, 1/2 x 3.06"
37	04021-09	Nut, 3/8-16 Elastic Stop
38	424504	Foot Pedal, Height Adjustment
39	04021-07	Nut, Hex Elastic Stop 1/2-13
40	04030-07	Lockwasher, 5/8"
41	04105-01	Capscrew, 5/8-11 x 1-1/2"
42	481765	Rod End, Female - 1/2-20 RH
43	04001-74	Bolt, Hex Head 1/2-13 x 3"
44	04020-27	Nut, Jam 1/2-20 RH
45	43391	Spacer, Decklift Pedal

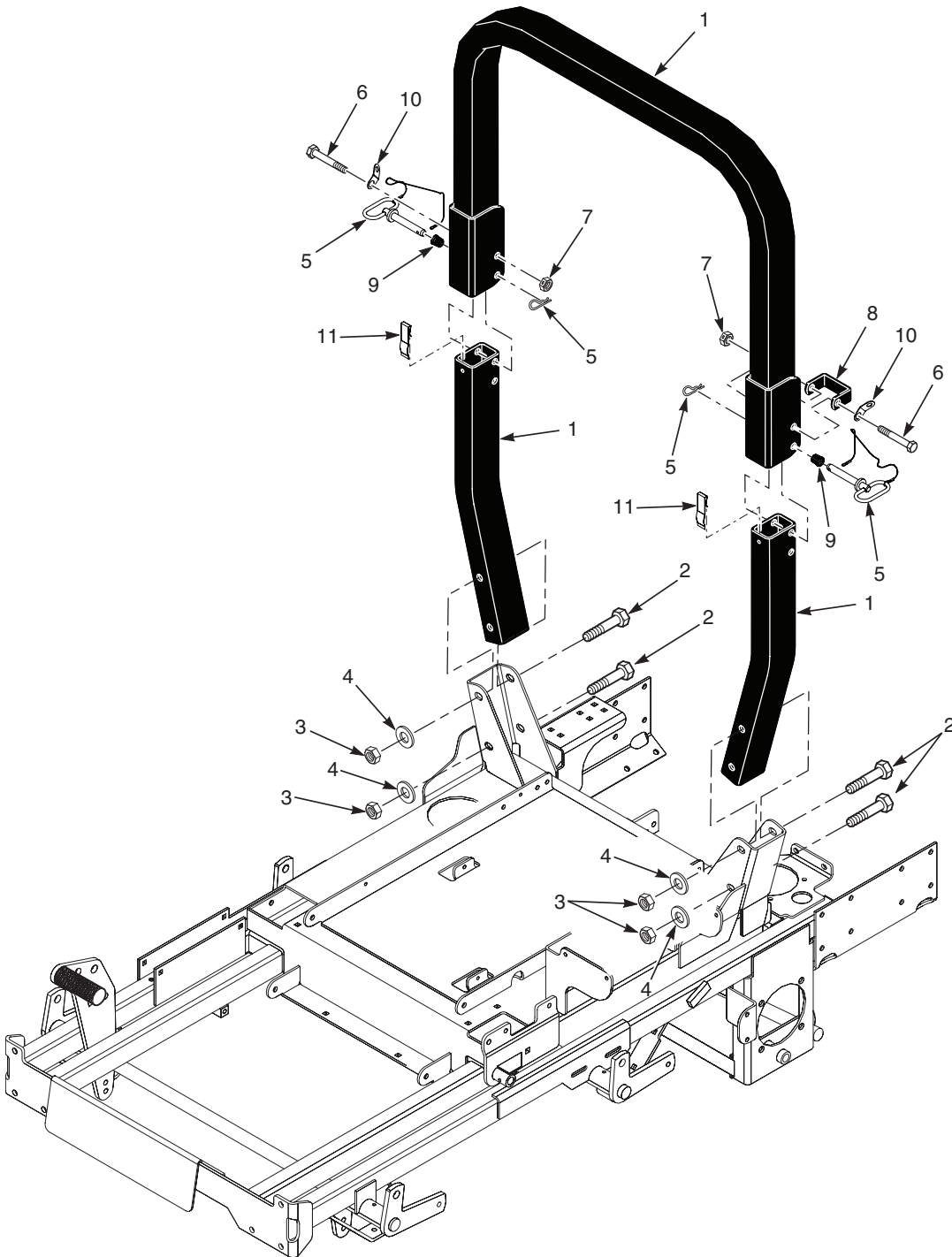
SHEET METAL COMPONENTS



SHEET METAL COMPONENTS

Ref. No.	Part No.	Description
1	04001-145	Bolt, Hex Head 1/2-13 x 3.5"
2	41020	Weight
3	04021-07	Nut, Hex Elastic Stop 1/2-13
4	481284	Bumper, Rubber 5/16-18 x 5/8"
5	462330	Main Frame Assembly w/Decals
6	424847	Foot Plate
7	04001-19	Bolt, Hex Head 3/8-16 x 1"
8	04041-07	Flatwasher, 3/8-.391 x .938 x .105
9	04019-03	Nut, Hex Serrated Flange 5/16-18
10	04001-45	Bolt, Hex Head 3/8-16 x 2.0"
11	04021-09	Nut, Elastic Stop 3/8-16
12	43606	Spacer Bushing
13	462147	Seat Plate Weldment w/Decal
14	451481	Fender Weldment, RH
15	04003-01	Bolt, Carriage 1/4-20 x 6"
16	*	Battery (not avail. through Scag)
17	422682	Cover, Battery
18	04003-12	Bolt, Carriage 5/16-18 x 3/4"
19	462007	Plate, Battery Box
20	48661	Rubber Pad
21	04029-01	Wing Nut, 1/4-20 x 3/4"
22	04021-09	Nut, Elastic Stop 3/8-16
23	424488	Battery Box Mount
24	04001-19	Bolt, Hex Head 3/8-16 x 1"
25	04019-04	Nut, Hex Serrated Flange 3/8-16
26	04017-27	Screw, Hex Serrated Flange 3/8-16 x 1"
27	451480	Fender Weldment, LH
28	04021-09	Nut, Hex Elastic Stop 3/8-16
29	04021-11	Nut, Elastic Stop 7/16-14
30	04030-05	Lockwasher, 7/16"
31	04001-28	Bolt, Hex Head 7/16-14 x 1-1/4"
32	452202	Extention Weldment, Caster (Use with 61" Deck)
	452203	Extention Weldment, Caster (Use with 72" Deck)
33	481559	Cap, Grease
34	04021-20	Nut, Hex Elastic Stop 1.0"-14
35	481657	Bearing W/Race
36	481025	Seal, 2.00" OD. x 1.625" Bore
37	04021-07	Nut, Hex Elastic Stop 1/2-13
38	43584	Spacer, Caster Wheel
39	43583	Sleeve, Caster Wheel (61V)
40	04001-167	Bolt, Hex Head 1/2-13 x 9-1/2" (61V)
41	451416	Yoke Weldment, Caster (61V)
42	482028-01	Plug, 1/4-28 THD Form
43	92785	Wheel Assembly, (Inc. 44, 45, & 46)
44	482622	Seal
45	482621	Bearing w/ Race
46	48114-10	Grease Fitting

STT ROLL-OVER PROTECTION SYSTEM



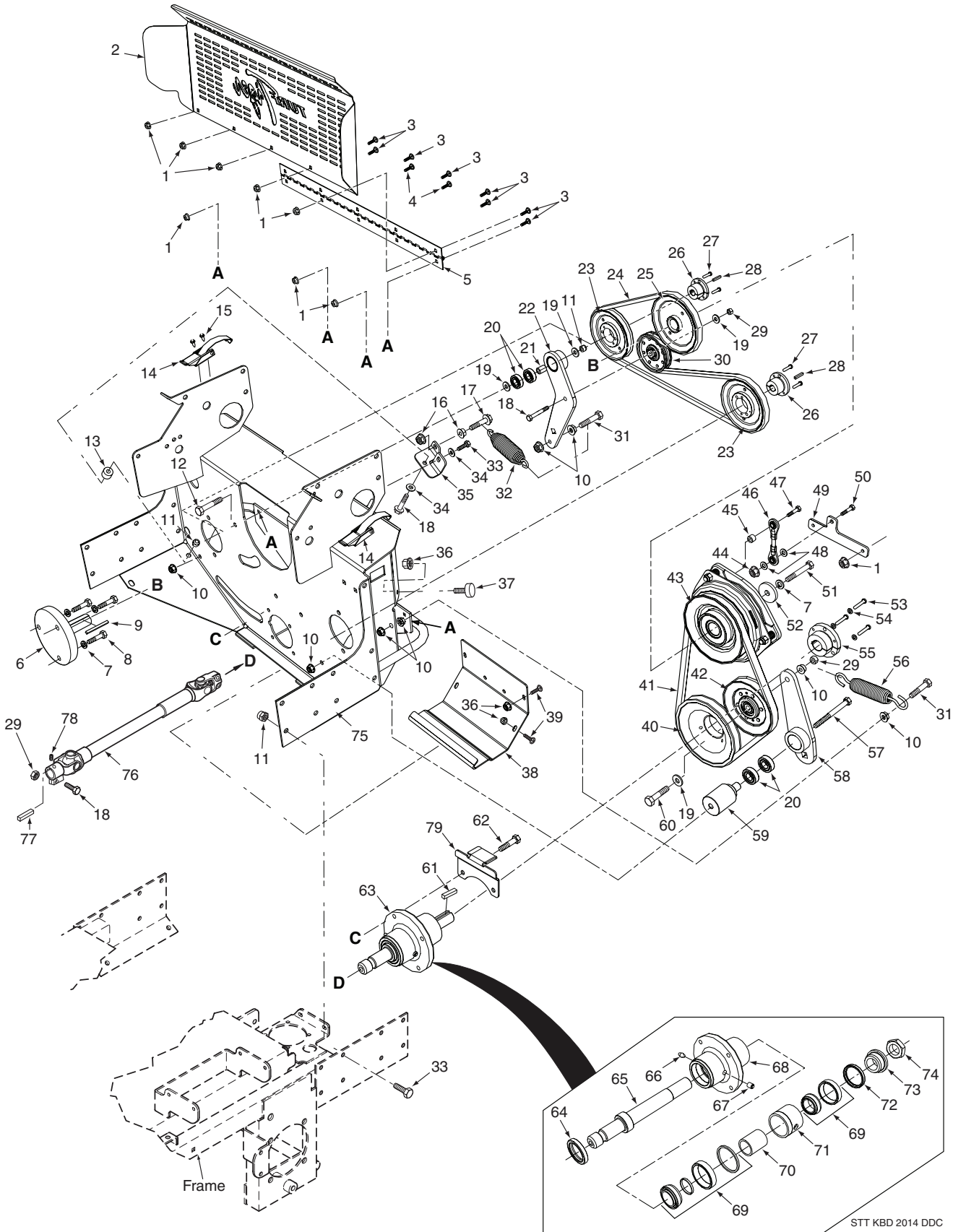
STT ROLL-OVER PROTECTION SYSTEM

Ref. No.	Part No.	Description
1	462210	STT, ROPS
2	04001-87	Bolt, Hex Head 1/2-13 x 4"
3	04021-19	Nut, Center Lock 1/2-13
4	04040-13	Flatwasher, 1/2-.562 x 1.375 x .109
5	484168	Pin Assembly (incl. #9 & #10)
6	04001-163	Bolt, Hex Head 1/2-13 x 3-3/4"
7	04021-07	Nut, Center Lock 1/2-13
8	425487	Stop Bracket, ROPS
9	484170	Spring, ROPS
10	484169	Clip, ROPS
11	484167	Spring Clip, ROPS

STT SUSPENSION SEAT

Ref. No.	Part No.	Description
1	922A	Suspension Seat Assembly w/seat belt
2	484709	Armrest Kit, LH
3	484717	Seat Belt Kit
4	484711	Recliner Knob Kit
5	484710	Armrest Kit, RH
6	484712	Back Cover
7	481638	Seat Switch
8	484713	Track Kit
9	484714	Suspension Knob Kit
10	484708	Seat Cushion
11	04041-07	Flatwasher, 3/8-.391 x .938 x .105
12	04019-03	Nut, Serrated Flange 5/16-18
13	491730	Seat Plate Weldment w/Decal

DECK DRIVE COMPONENTS

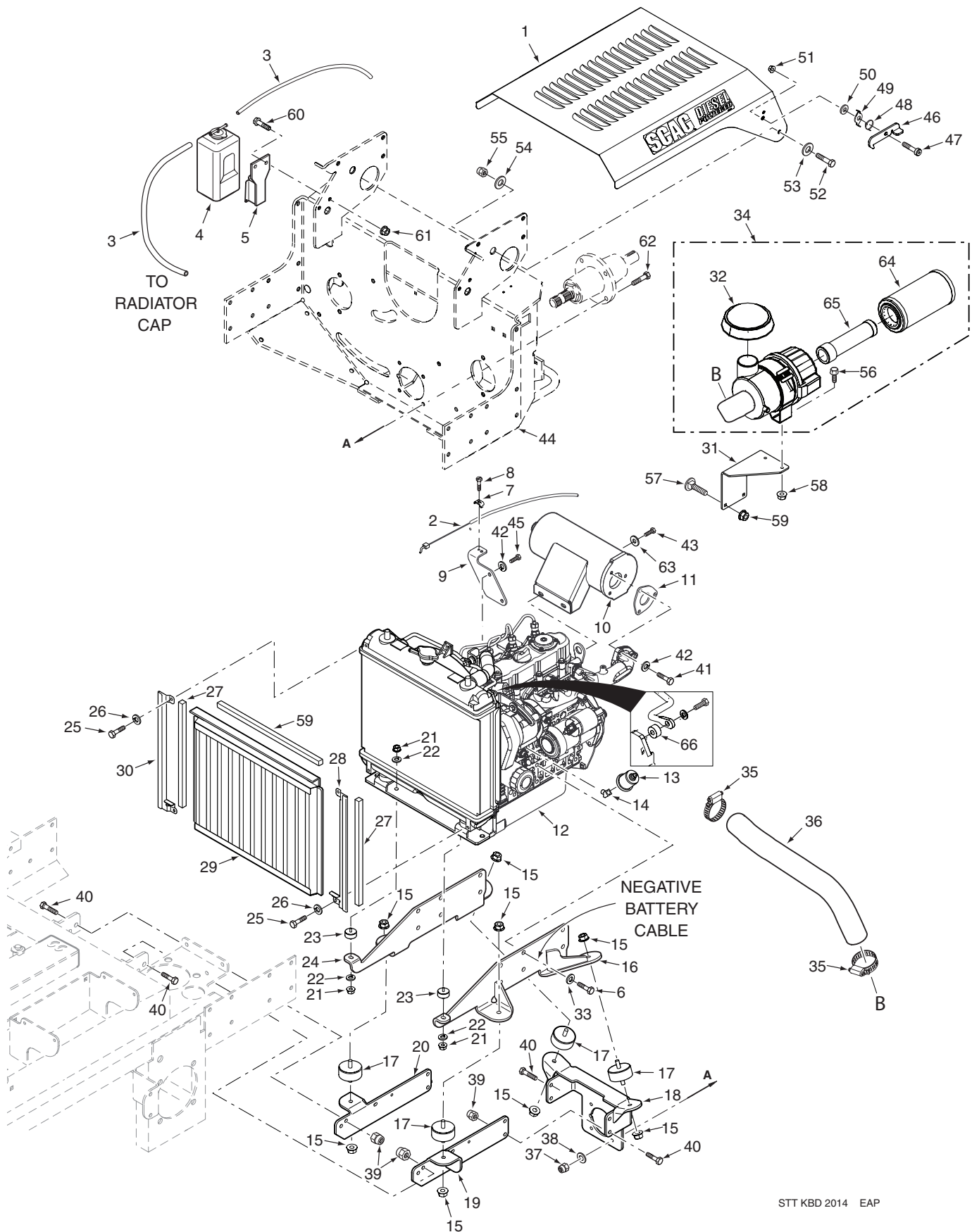


STT KBD 2014 DDC

DECK DRIVE COMPONENTS

Ref. No.	Part No.	Description	Ref. No.	Part No.	Description
1	04019-02	Nut, Serrated Flange 1/4-20	46	482433	Rod Assembly, Clutch Anti-Rotation
2	423925	Belt Guard, Rear	47	04001-11	Bolt, Hex Head 5/16-18 x 1-1/2"
3	04003-07	Bolt, Carriage 1/4-20 x 1/2"	48	04040-04	Flatwasher, 5/16"
4	04003-02	Bolt, Carriage 1/4-20 x 3/4"	49	423465	Bracket, Anchor, Anti-Rotation
5	481531	Hinge, Belt Guard	50	04001-10	Bolt, Hex Head 5/16-18 x 1-1/4"
6	482334	Stub Shaft, (Kubota)	51	04102-03	Bolt, Hex Head 7/16-20 x 2-1/4"
7	04030-05	Lockwasher, 7/16" Spring	52	04041-28	Flatwasher, 7/16-.469 x 1.75 x .25
8	04002-26	Bolt, Hex Head M10 x 1.5 x 35	53	04001-109	Bolt, Hex Head 1/4-20 x 1-3/8"
9	04063-23	Key, 1/4 x 1/4 x 3-1/4"	54	04030-02	Lockwasher, 1/4" Spring
10	04019-04	Nut, Serrated Flange 3/8-16	55	481536	Tapered Hub, 1" Bore
11	04021-09	Nut, Elastic Stop 3/8-16	56	483430	Spring, PTO
12	04001-135	Bolt, Hex Head 3/8-16 x 1-3/4" Grd 8	57	04001-171	Bolt, Hex Head 3/8-16 x 4-1/2" Grd 8
13	43286	Spacer	58	461609	Idler Arm Weldment, PTO Drive
14	481309	Latch, Hood	59	43632	Pivot, Idler PTO
15	04011-11	Screw, #10-32 x .56	60	04001-170	Bolt, Hex Head 3/8-16 x 2-1/2" Grd 8
16	04019-06	Nut, Serrated Flange 1/2-13	61	04063-06	Key, 1/4 x 1/4 x 1-1/2"
17	04001-185	Bolt, Hex Head 1/2-13 x 2" Grd 8	62	04001-176	Bolt, Hex Head 5/16-18 x 1-3/4" Grd 8
18	04001-21	Bolt, Hex Head 3/8-16 x 1-3/4"	63	461665	Spindle Assembly, Deck Drive
19	04043-04	Washer, 3/8" Hardened	64	481024	Seal, 2.0 OD x 1.5 Bore
20	48224	Ball Bearing	65	43534	Shaft, Deck Drive
21	43631	Spacer, Idler Bearing	66	48114-04	Grease Fitting, 1/4-28
22	461608	Idler Arm Weldment, Pump Drive	67	48677	Relief Fitting
23	482745	Pulley, 6.35" O.D.	68	43644	Spindle Housing
24	483678	Belt, Pump Drive - Kubota	69	481022	Roller Bearing Tapered
25	484687	Pulley, 4.55 Dia. - 1.125 Bore - Kubota	70	43296	Spacer, Inside
26	481884	Tapered Hub, 17mm Bore	71	43312	Spacer, Outside
27	04001-172	Bolt, Hex Head 1/4-20 x 1" Grd 8	72	481025	Seal, 2.0 OD x 1.625 Bore
28	04063-27	Key, 5 x 5 x 35 mm	73	43297	Spindle Bushing, Bottom
29	04021-05	Nut, Center Lock 3/8-16	74	481035	Nut, 1.06-18 Thread
30	483214	Pulley, Idler 4" Dia.	75	451891	Pump Mounting Plate Weldment
31	04001-136	Bolt, Hex Head 3/8-16 x 1-1/2" Grd 8	76	482438	Driveshaft
32	483088	Spring, Transmission Idler	77	04063-20	Key, 1/4 x 1/4 x 1"
33	04001-19	Bolt, Hex Head 3/8-16 x 1"	78	04012-08	Set Screw, 3/8-16 x 3/4" Torx Socket
34	04041-07	Flatwasher, 3/8-.391 x .938 x .105	79	426054	Bracket, Belt Guide
35	424764	Bracket			
36	04019-03	Nut, Serrated Flange 5/16-18			
37	481284	Bumper, Rubber			
38	424691	Cover, Rear			
39	04003-12	Bolt, Carriage 5/16-18 x 3/4"			
40	482949	Pulley, 6.70" O.D. Tapered Bore			
41	481460	Belt, Deck Drive			
42	48181	Pulley, Idler 5" Dia.			
43	462011	Clutch, Ogura GT 3.5 - 1.125 Bore			
44	04021-10	Nut, Hex Elastic Stop 5/16-18			
45	43587	Spacer			

ENGINE & ATTACHING PARTS - KUBOTA DIESEL



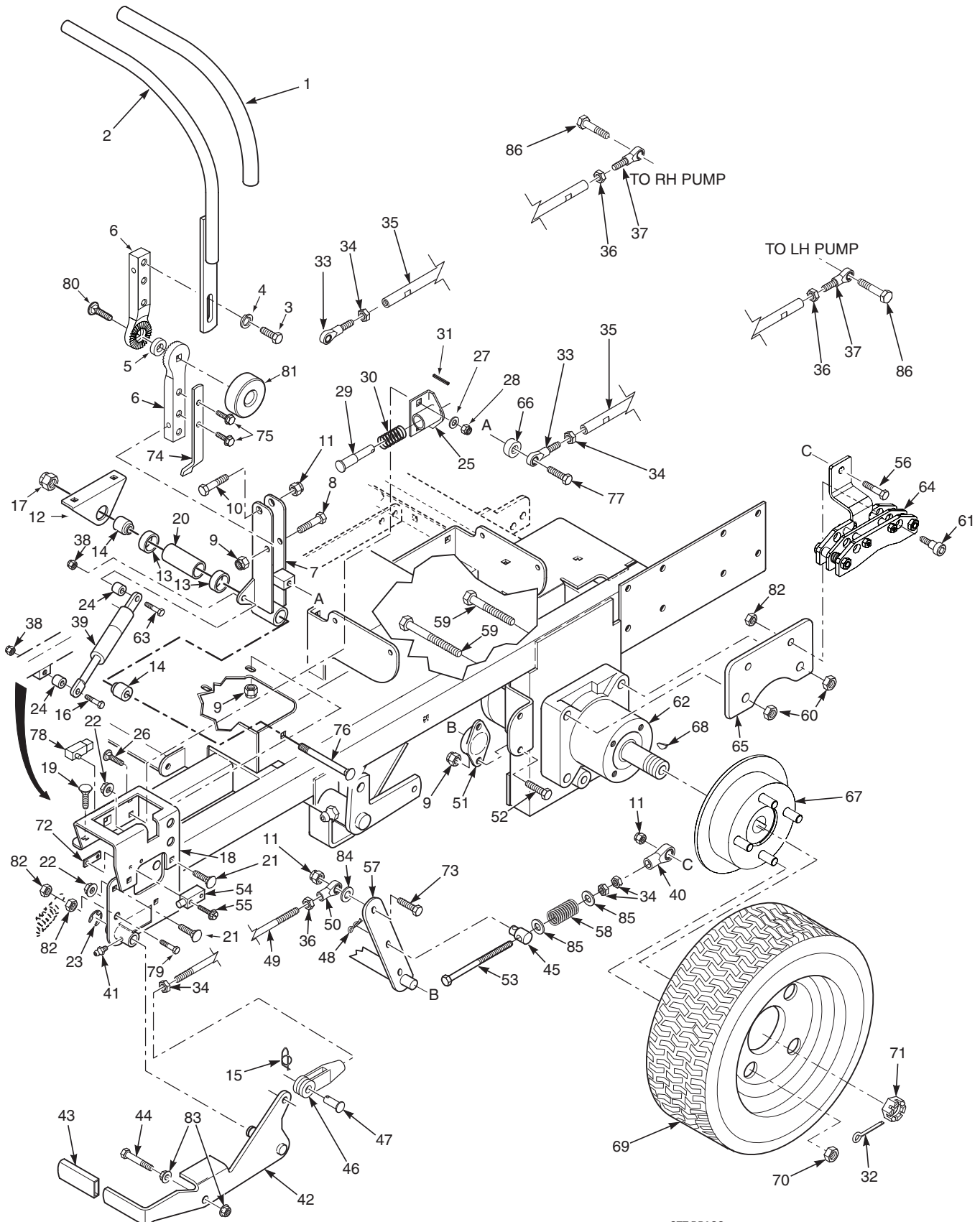
ENGINE & ATTACHING PARTS - KUBOTA DIESEL

Ref. No.	Part No.	Description
1	462008	Hood Assembly (Incl. 46, 47, 48,49, 50, 51)
2	483356	Throttle Cable
3	**	Hose, Over Spill Bottle
4	**	Over Spill Bottle
5	**	Mounting Bracket, Over Spill Bottle
6	04002-10	Bolt, Metric Hex Hd. M10-1.25 x 25mm
7	424580	Clamp
8	04011-06	Screw, Self Tapping
9	424485	Bracket, Control Mount
10	483811	Muffler, Kubota
11	483387	Gasket, Muffler
12	483335	** Engine, Kubota (not avail. through Scag)
13	481811	Oil Pressure Sender
14	483433	Elbow, 45 Deg.
15	04019-04	Nut, Serr. Flng. 5/16-18
16	424450	Mounting Bracket Weldment LH
17	483351	ISO Mount
18	424452	Plate, Rear Engine Mount
19	424448	Plate, Engine Mount LH
20	424449	Plate, Engine Mount RH
21	04025-02	Nut, Metric Hex M8-1.25mm
22	04030-03	Lockwasher, 5/16" Spring
23	**	Rubber ISO Mount, Radiator
24	424451	Mounting Bracket Weldment RH
25	04106-01	Capscrew, Metric M6-1.0 x 16mm
26	04030-02	Lockwasher, 1/4" Spring
27	483512	Foam, Radiator Screen
28	424624	Debris Screen Track LH
29	462035	Debris Screen Assembly (Incl. 59)
30	424623	Debris Screen Track RH
31	425919	Bracket, Air Cleaner Mount
32	483635	Rain Cap (Enginaire p/n 68381)
33	04030-05	Lockwasher, 7/16" Spring
34	483485	Air Filter Assembly (Enginaire p/n 68665)
35	48136-09	Clamp, 2-1/4" Max. Dia.
36	483343	Hose, Air Intake
37	04021-22	Nut, Elastic Stop 5/16-18 Grd. 8
38	04030-03	Lockwasher, 5/16" Spring
39	04021-09	Nut, Elastic Stop 3/8-16
40	04001-19	Bolt, Hex Hd. 3/8-16 x 1"
41	04002-01	Bolt, Metric Hex Hd. M8-1.25 x 30mm
42	04030-03	Lockwasher, 5/16" Spring
43	04002-03	Bolt, Metric Hex Hd. M8-1.25 x 25mm
44	451861	Pump Mounting Plate Weldment (Kubota)
45	04002-12	Bolt, Metric Hex Hd. M8-1.25 x 20mm

Ref. No.	Part No.	Description
46	424633	Latch, Hood
47	04009-07	Bolt, Shoulder 5/16-18 x 1/2"
48	483507	Spring, Hood Latch
49	424634	Lock, Hood Latch
50	04041-07	Flatwasher, 3/8 (.391 x .938 x .105")
51	04021-04	Nut, Center Lock 5/16-18
52	04001-21	Bolt, Hex Hd. 3/8-16 x 1-3/4"
53	04041-07	Flatwasher, 3/8 (.391 x .938 x .105")
54	04041-11	Flatwasher, 3/8 (.406 x 1.50 x 7 Ga.)
55	04021-09	Nut, Elastic Stop 3/8-16
56	04017-16	Bolt, Hex Hd. Serr. Flng. 5/16-18 x 3/4"
57	04003-12	Bolt, Carriage 5/16-18 x 3/4"
58	04019-03	Nut, Serr. Flng. 5/16-18
59	483513	Foam, Radiator Screen Upper
60	04017-16	Bolt, Hex Hd. Serr. Flng. 5/16-18 x 3/4"
61	04019-03	Nut, Serr. Flng. 5/16-18
62	04001-176	Bolt, Hex Hd. 5/16-18 x 1-3/4" Grd. 8
63	04040-04	Flatwasher, SAE 5/16 (.344 x .688 x .065")
64	483637	Air Filter, Outer (Enginaire p/n 68300)
65	483636	Air Filter, Inner (Enginaire p/n 68340)
66	43714	Spacer, Radiator

** Available through the individual engine manufacturer.

BRAKE AND STEERING COMPONENTS

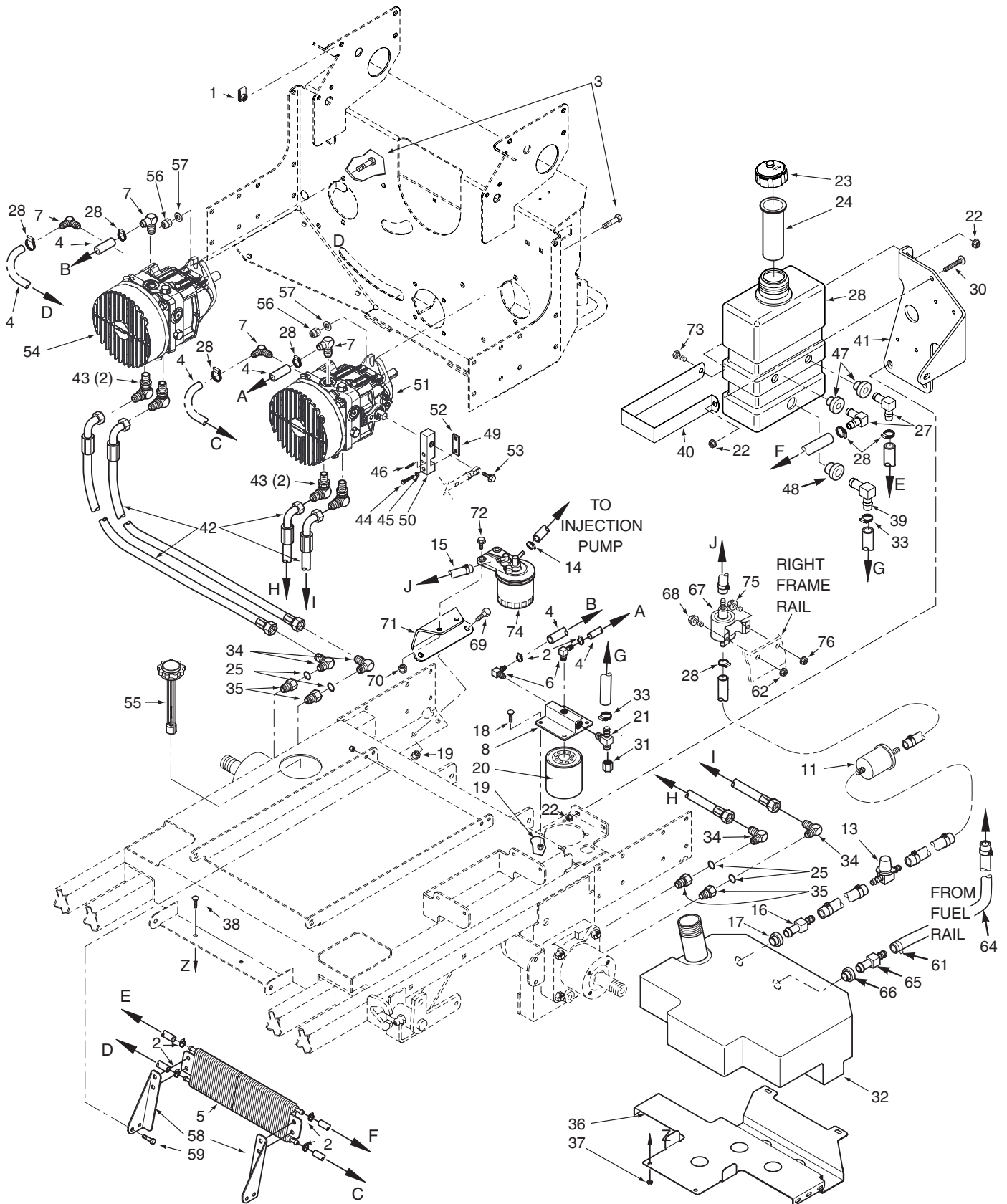


STT DB&SC

BRAKE AND STEERING COMPONENTS

Ref. No.	Part No.	Description	Ref. No.	Part No.	Description
1	482340	Grip, Handle Bar	46	48343-04	Clevis, Traction Control
2	461914	Handle Bar, LH (Includes item 1)	47	04064-02	Pin, Clevis
	461923	Handle Bar, RH (Includes item 1)	48	04062-01	Hair Pin Cotter
3	04001-09	Bolt, Hex Head 5/16-18 x 1"	49	04004-49	Rod, Parking Brake
4	04030-03	Lockwasher, 5/16"	50	48544	Rod End, LH Thread
5	483250	Rubber Spacer	51	482061	Bushing, Self Align
6	483238	Bar, Control Lever	52	04001-08	Bolt, Hex Head 5/16-18 x 3/4"
7	451483	Control Lever Weldment, LH	53	04001-192	Bolt, Hex Hd 3/8-24 x 5-1/2"
	451484	Control Lever Weldment, RH	54	481637	Switch, Parking Brake
8	04001-17	Bolt, Hex Head 5/16-18 x 2"	55	04010-12	Screw, Hex Slotted Washer Head #10 32 x 3/4"
9	04021-10	Nut, Hex Elastic Stop 5/16-18			
10	04001-45	Bolt, Hex Head 3/8-16 x 2"	56	04001-32	Bolt, Hex Head 3/8-16 x 1-1/4"
11	04021-09	Nut, Hex Elastic Stop 3/8-16	57	45953	Bellcrank, Brake Actuator
12	423488	Mount, Control Linkage	58	48807	Spring
13	48224	Ball Bearings, Neutral Return	59	04001-190	Bolt, Hex Hd 1/2-13 x 2-3/4" (upper)
14	43607	Spacer		04001-52	Bolt, Hex Hd 1/2-13 x 2-1/2" (lower)
15	04069-01	Pin, Rue Cotter 3/8 Dia.	60	04021-19	Locknut, Hex 1/2-13 Center Lock
16	04001-13	Bolt, Hex Head, 5/16-18 x 2.75 Zinc	61	04009-10	Bolt, Shoulder 1/2 x 3/8-16 x 2-3/4"
17	04021-13	Nut, Hex Elastic Stop 5/8-11	62	484108	Wheel Motor, Parker
18	461601	Bracket, Control Lever LH	63	04001-12	Bolt, Hex Head, 5/16-18 x 1.75, Zinc
	461602	Bracket, Control Lever RH	64	483701	Brake Caliper
19	04003-04	Bolt, Carriage 5/16-18 x 1"	65	424894	Mounting Bracket, Brake
20	43600	Spacer, Bearing	66	43063	Spacer
21	04003-12	Bolt, Carriage 5/16-18 x 3/4"	67	43771	Wheel Hub/Disk Brake Assembly
22	04019-03	Nut, Hex Serrated Flange 5/16-18	68	04063-25	Key, Woodruff 5/16 x 1"
23	04050-01	Ring, Retaining 5/8" External "E"	69	481850	Wheel Assembly 24 x 12-12 Turf Master
24	43602	Spacer		481851	Rim W/Valve Stem
25	45918	Bracket, Neutral Return		481852	Tire, 24 x 12-12 Turf Master
26	04003-02	Bolt, Carriage 1/4-20 x 3/4"	70	04028-02	Lug Nut, 1/2-20
27	04040-14	Flatwasher, 1/4" (.312 x .750 x .065)	71	48680	Nut, Hex Castle
28	04021-08	Nut, Hex Elastic Stop 1/4-20	72	422373	Threaded Plate
29	43477	Pin, Retaining Spring	73	04001-20	Bolt, Hex Head 3/8-16 x 1-1/2"
30	481389	Spring	74	423491	Actuator, Switch
31	04060-01	Roll Pin, Spring 5/32 x 3/4"	75	04017-16	Bolt, Hex Serrtd Flng 5/16-18 x 3/4"
32	04061-06	Pin, Cotter 9/16 x 1-1/2"	76	04001-79	Bolt, Hex Head 5/8-11 x 4-1/2"
33	482586	Rod End, Male 3/8-24 RH Thread	77	04001-32	Bolt, Hex Head 3/8-16 x 1-1/4"
34	04020-25	Nut, 3/8-24 RH Thread	78	481638	Switch, Handle Neutral
35	483680	Tube, Control Link	79	04001-168	Bolt, Hex Head 3/8-16 x 1-1/4" Grd 8
36	04020-26	Nut, Hex 3/8-24 LH Thread	80	04003-05	Bolt, Carriage 3/8-16 x 1-1/2"
37	482585	Rod End, Male 3/8-24 LH Thread	81	483269	Knob
38	04021-05	Locknut, 5/16-18, Elastic Stop	82	04021-05	Nut, Center Lock 3/8-16
39	482794	Gas Damper	83	04019-04	Nut, Serrated Flange 3/8-16
40	482330	Rod End, 3/8-24 RH Female	84	04041-07	Flatwasher, 3/8-.391 x .938 x .105
41	48114-04	Grease Fitting	85	04040-05	Flatwasher, 3/8-.406 x .812 x .065
42	461082	Lever, Parking Brake (Inc. item 43)	86	04001-21	Bolt, Hex Head, 3/8-16 x 1-3/4"
43	481548	Grip, Parking Brake			
44	04001-22	Bolt, Hex Head 3/8-16 x 2-3/4"			
45	43773	Swivel Joint			

FUEL AND HYDRAULIC SYSTEM - KUBOTA DIESEL



2007 STT-BSD F&HS.eps

FUEL AND HYDRAULIC SYSTEM - KUBOTA DIESEL

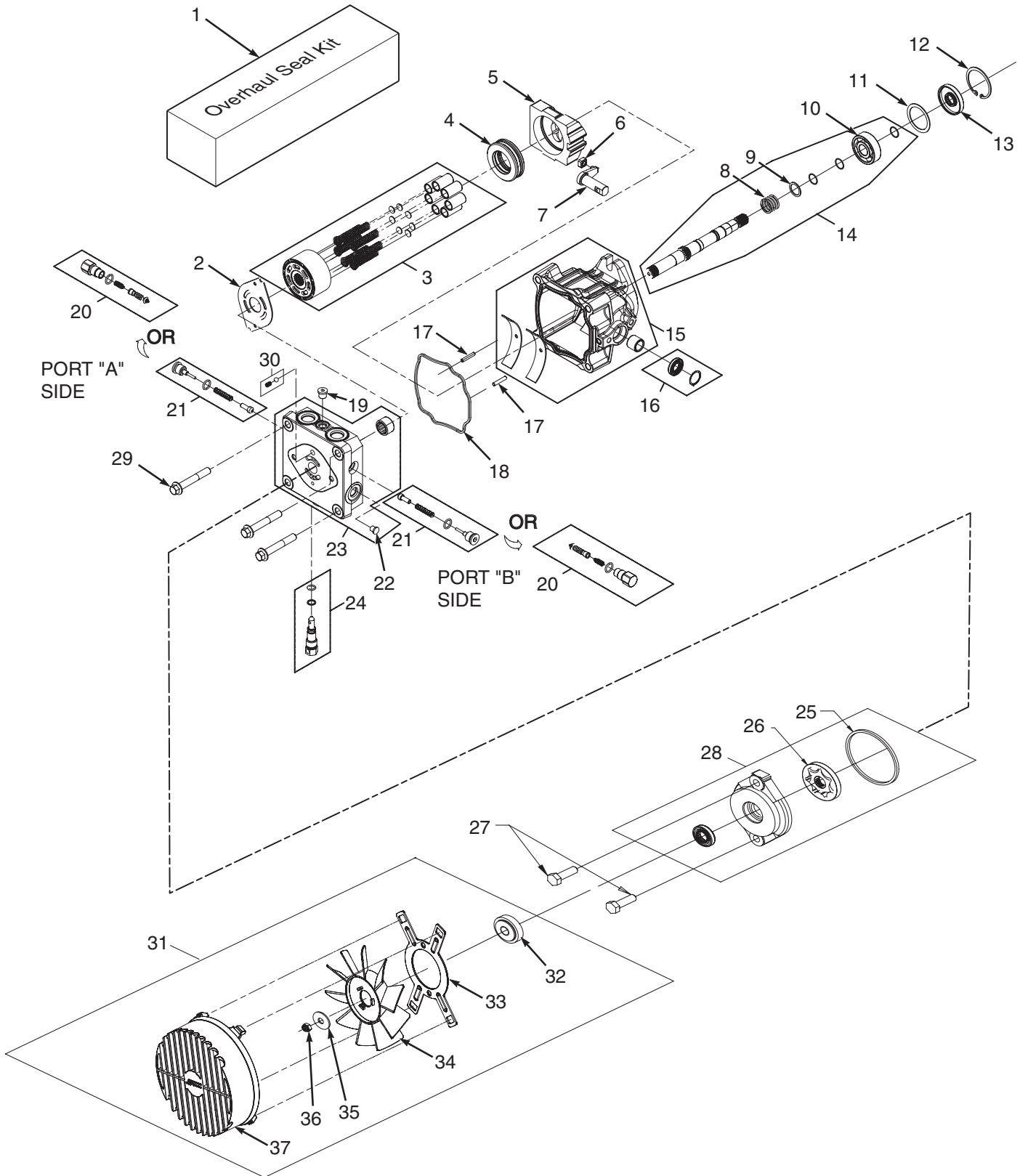
Ref. No.	Part No.	Description
1	04110-01	U-Nut 1/4-20
2	48136-13	Hose Clamp, 0.69" Dia.
3	04001-03	Bolt, Hex Hd. 1/4-20 x 2.0"
4	48811	*** Hose, 3/8" ID Pushlock
5	482505	Oil Cooler
6	481301-03	Elbow, 90 Deg. - 1/4" NPT x 3/8" Hose
7	482266-01	Elbow, 90 Deg. - 9/16" O-ring x 3/8" Hose
8	482417	Oil Filter Base
9	482606	Hose Assy, 1/2" ID (Tank to Filter Base)
10	48136-05	Clamp, .87" max Dia.
11	**	Fuel Pre-Filter, Kubota
12	483620	*** Fuel Hose, 5/16" ID. Non-Perm.
13		Valve, Shutoff
14	48059-01	Clamp, Fuel Hose
15	483620	*** Fuel Hose, 5/16" ID. Non-Perm.
16	483749	Hose Fitting
17	48309	Bushing
18	04001-09	Bolt, Hex Hd. 5/16-18 x 1.0" Zinc
19	04019-03	Nut, Serr. Flng. 5/16-18
20	48758	Oil Filter
21	482477	Tee, 3/4" O-ring x JIC x 1/2" Hose
22	04021-08	Nut, Hex Elastic Stop 1/4-20
23	481164	Cap, Hydraulic Tank
24	481507	Insert, Filler Neck
25	48603-02	O-Ring
26	461451	Oil Reservoir Assembly (Incl. 24, 27, 39)
27	482572	Elbow, 90 Deg. 0.38" Hose
	482571	Bushing, 0.56" Dia. Viton
28	48136-13	Hose Clamp, 0.69" dia.
29	48811	*** Hose, 3/8" ID, Pushlock
30	04010-10	Screw, Phillips Head, 1/4-20
31	48571-02	Cap
32	462126	Fuel Tank Assembly (Incl. items 16, 17, 65, 66)
33	48136-05	Clamp, Hose
34	48350-05	Elbow, 90 Deg., 5/8 x 1/2
35	48938-02	Bushing, 7/8"-14 JIC x 3/4"-16 O-Ring
36	424914	Support Bracket, Fuel Tank
37	04019-03	Nut, 5/16-18 Serr. Flng.
38	04003-02	Bolt, Carriage 1/4-20 x 3/4"
39	482574	Elbow, 90 Deg.
	482573	Bushing, 0.78" Dia. Viton
40	423513	Strap, Hydraulic Tank
41	424524	Support Bracket, Hydraulic Tank
42	483805	Hose Assembly, Pump
43	48572-06	Union, 5/8 x 1/2
44	04001-59	Bolt, Hex Hd., 1/4-20 x 1-14"
45	04030-02	Lockwasher, 1/4" Spring

Ref. No.	Part No.	Description
46	04060-09	Roll Pin, Spring 3/16 x 3/4"
47	04017-05	Bolt, Hex Serr. Flng., 1/4-20 x 3/4"
48	483620	*** Fuel Hose, 5/16" ID. Non-Perm.
49	422694	Clamp Plate, Pump Control
50	481793	Block, Pump Control
51	483101	Pump, Left Hand, BDP-16A
52	04021-09	Nut, Hex, Elastic Stop 3/8-16
53	04001-32	Bolt, Hex Hd., 3/8-16 x 1-1/4
54	483100	Pump, Right Hand, BDP 16A
55	482498	Cap, Fuel Tank w/Gauge
56	04021-09	Nut, Hex Elastic Stop 3/8-16
57	04043-04	Flatwasher, 3/8" (.391 x .938 x .105") Grd. 8
58	424483	Mounting Bracket - LH, Oil Cooler
	424484	Mounting Bracket - RH, Oil Cooler
59	04001-08	Bolt, Hex Hd. 5/16-18 x 3/4"
60	482505	Cooler, Oil
61	48136-13	Clamp, 0.69" Dia.
62	04019-03	Nut, Serr. Flng. 5/16-18
63	**	Adapter, 1/2" - 5/16" (p/n 59071-2141)
64	48058	*** Hose, 1/4" Fuel Line
65	482703	Fitting, Hose
66	48309	Bushing
67	**	Fuel Pump, Kubota
68	04017-16	Bolt, Hex Hd. 5/16-18 x 3/4"
69	04001-19	Bolt, Hex Hd. 3/8-16 x 1"
70	04021-09	Nut, Elastic Stop 3/8-16
71	424487	Bracket, Fuel Filter Mounting
72	04017-16	Bolt, Hex Hd. Serr. Flng. 5/16-18 x 3/4"
73	04001-01	Bolt, Hex Hd. 1/4-20 x 3/4"
74	**	Fuel Filter
75	04017-05	Bolt, Hex Hd. 1/4-20 x 3/4"
76	04019-02	Nut, Serr. Flng. 1/4-20

** Available through the individual engine manufacturer.

*** Order by the inch.

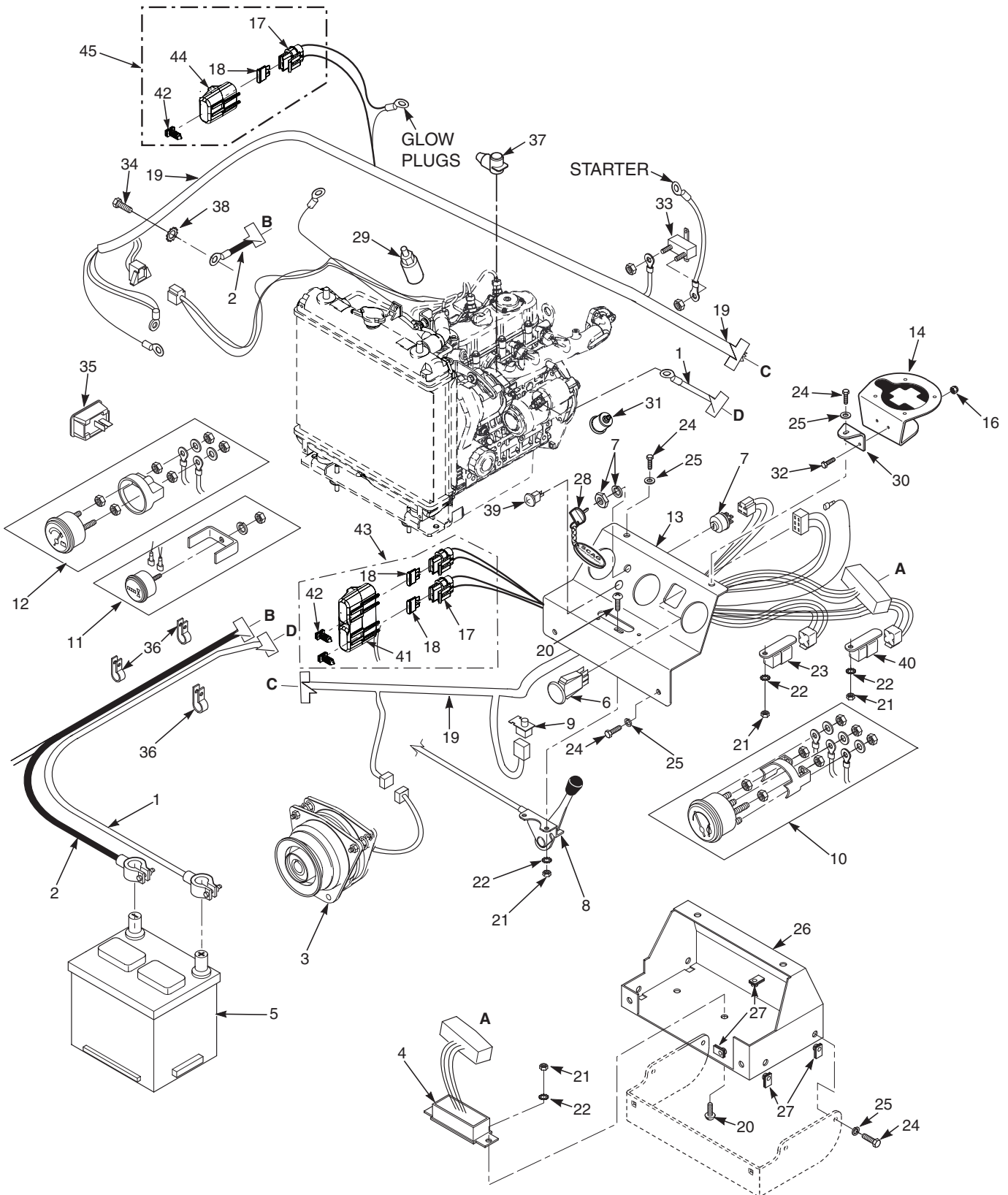
BDP-16A HYDRAULIC PUMP ASSEMBLY WITH COOLING FAN



BDP-16A HYDRAULIC PUMP ASSEMBLY WITH COOLING FAN

Ref. No.	Part No.	Description
1	HG70740	Overhaul Seal Kit
2	HG51455	Valve Plate
3	HG70735	Cylinder Block Kit - 16cc
4	HG51462	Thrust Ball Bearing Assembly
5	HG51436	Variable Swashplate
6	HG2000015	Slot Guide
7	HG2000014	Trunnion Arm
8	HG2000025	Block Spring
9	HG2000024	Block Thrust Washer
10	HG2000032	Shaft Ball Bearing
11	HG2000023	Spacer
12	HG2000038	Retaining Ring
13	HG51092	Seal
14	HG70578	Kit, Pump Shaft (keyed thru taper)
15	HG70738	Housing Kit
16	HG70739	Trunnion Seal Kit
17	HG50641	Pin
18	HG51437	O-Ring
19	HG9005110-7500	Straight Thread Plug
20	HG70743	Shock Valve Kit (.031 Orifice)
21	HG70742	Shock Valve Kit (.024 Orifice)
22	HG9005200-7500	Straight Thread Plug
23	HG70736	End Cap Kit
24	HG2513030	Bypass Valve Kit
25	HG9004100-1430	O-Ring
26	HG50406	Gerotor Assembly (.19 cu.in./rev.)
27	HG50173	Socket Head Cap Screw (M8 x 1.25-25mm)
28	HG70924	Charge Pump Kit (.19 STD. Splined)
29	HG51457	Hex Screw, Flanged Head (M10 x 1.50-65mm)
30	HG70402	Charge Relief Kit
31	HG71287	Fan Kit (incl. items 32, 34, 35, 36)
32	HG51348	Hub
33	HG52016	Bracket, Shroud
34	HG52014	Fan
35	HG52256	Washer
36	HG44809	Nut
37	HG52059	Shroud

ELECTRICAL SYSTEM - KUBOTA DIESEL



ELECTRICAL SYSTEM - KUBOTA DIESEL

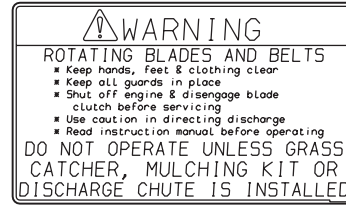
Ref. No.	Part No.	Description
1	481176-10	Cable, Positive Battery
2	481176-11	Cable, Negative Battery
3	462011	Clutch, Electric PTO
4	481808	Module, Interlock
5	*	Battery (not available through Scag)
6	483957	Switch, PTO
7	48798	Switch, Key (Incl. Nut and Lockwasher)
	48017-03	Nut, 5/8-32 Special
	48017-04	Lockwasher 5/8"
8	483356	Cable, Control (Throttle)
9	481638	Switch, Seat
10	481183	Gauge, Water Temperature
11	481805	Gauge, Oil Pressure
12	481184	Gauge, Voltmeter
13	462013	Panel, Instrument Panel
14	9240	Cup Holder Accessory (Incl. 16, 30, 32)
15	04010-11	Screw, #10-32 x 1.5" Phillips
16	04021-01	Nut, #10-32 Elastic Stop
17	483629	Fuse Holder
18	48298	Fuse, 20 Amp
19	484720	Harness, Wiring
20	04010-01	Screw, #10-32 x .5" Phillips
21	04020-01	Nut, Hex #10-32
22	04031-01	Lockwasher #10
23	483013	Relay
24	04001-01	Bolt, Hex Hd. 1/4-20 x .75"
25	04030-02	Lockwasher 1/4"
26	451879	Base, Instrument Panel
27	04110-01	U-Nut, 1/4-20
28	462069	Key Assembly w/Fob
29	483360	Sender Unit, Water Temperature
30	423674	Cup Holder Mounting Bracket
31	481811	Sender Unit, Oil Pressure
32	04001-01	Bolt, Hex Hd. 1/4-20 x 3/4"
33	482784	50 Amp Breaker
34	04002-17	Bolt, Hex Hd. M8-1.25 x 14mm
35	484566	Hour Meter
36	48030-09	Clamp, Cable .5" ID
	48030-10	Clamp, Cable .75" ID
37	481335	Boot, Positive Battery Terminal
38	04031-03	Washer, Star
39	481182	Indicator Light, Glow Plugs
40	481826	Relay, 40 Amp
41	483571	Cover, Sealed Double
42	482588	Clip, Wire
43	483642	Double Fuse Assembly, Sealed (Incl. items 17, 18, 41, 42)
44	483643	Cover, Sealed Single
45	483641	Single Fuse Assembly, Sealed (Incl. items 17, 18, 42, 44)

**Glow Plug Timer (not shown) - Available through Engine Manufacturer (p/n 15694-65990)

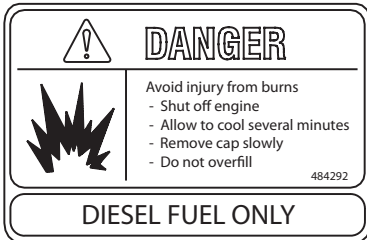
REPLACEMENT DECALS AND INFORMATION PLATES



1



2



3



4



5



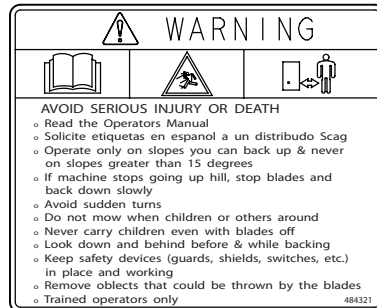
6



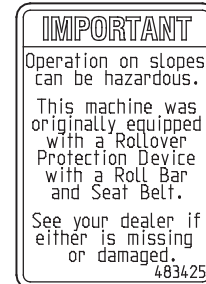
7



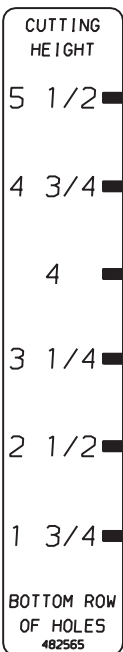
8



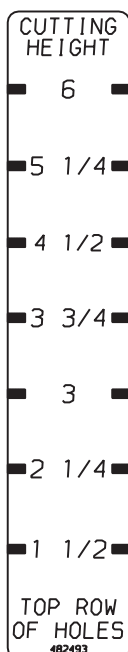
9



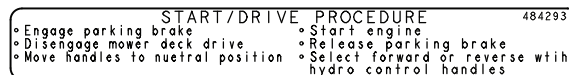
10



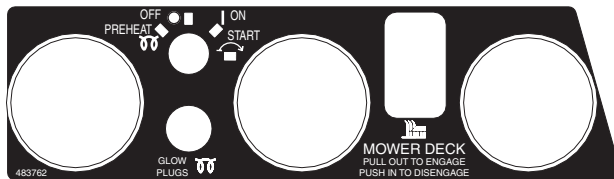
11



12



13

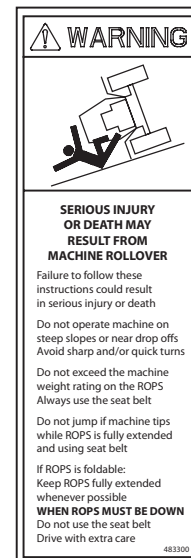


14



483358

15



16

Section 8

REPLACEMENT DECALS AND INFORMATION PLATES

Ref. No.	Part No.	Description	Ref. No.	Part No.	Description
1	483407	Decal, Danger-Spinning Blades	21	483727	Decal, Scag Logo
2	483406	Decal, Warning-Rotating Blades	22	48404	Decal, Metalcraft-Made In USA
3	484292	Decal, Fuel Tank	23	483509	Decal, Scag Diesel Powered
4	483201	Decal, 61" Velocity Plus	24	481664	Decal, Stripes-RH
5	483693	Decal, 72" Velocity Plus	25	481663	Decal, Stripes-LH
	481568	Decal, Traction Control	**	461982	Spanish Decal Kit, STT
6	483633	Decal, Seat Replacement			
7	481971	Decal, Heavy Duty Commercial			
8	483402	Decal, Belt Cover			
9	484321	Decal, Warning			
10	483425	Decal, ROPS			
11	482565	Decal, Cutting Height - Lower			
12	482493	Decal, Cutting Height - Upper			
13	484293	Decal, Start/Drive Procedure			
14	482360	Decal, Instrument Panel - Upper			
15	483358	Decal, Instrument Panel - Lower			
16	483300	Decal, ROPS Warning			
17	484320	Decal, Checks and Adjustments			
18	482577	Decal, Turf Tiger			
19	483405	Decal, Warning			
20	483229	Decal, Turf Tiger			

IMPORTANT ADJUSTMENT PROCEDURES
 READ OPERATORS MANUAL FOR MORE DETAILS
 Check tire pressure - (Drive tires-12 psi, Caster tires-Flat Free)

HYDRAULIC FLUID LEVEL
 Check hydraulic fluid level while fluid is cool. Fluid level should be 3" below top of filler neck. Fill with SAE 20W50 motor oil only.

IMPORTANT
 Do not overfill. Room for hot fluid expansion must be allowed or resulting expansion may cause leaks in the system

484320

NEUTRAL ADJUSTMENT
 Loosen jam nuts
 Rotate turnbuckle
 With an operator in the seat, engine running, control levers in neutral and the parking brake disengaged - adjust control linkage. Loosen jam nuts. If wheel rotates forward, adjust turnbuckle CCW. If wheel rotates rearward, adjust turnbuckle CW. Adjust until drive wheel stops turning. Tighten jam nuts. Repeat for opposite side.

TRACKING ADJUSTMENT
 If the machine pulls to the right, adjust LH control linkage CCW to slow left wheel. If the machine pulls to the left, adjust RH control linkage CCW to slow right wheel. Readjust neutral if necessary.

FREE WHEEL OPERATION
 To move machine without running the engine, rotate both dump valves located at the LH side of the pumps CCW 1/2 turn to "Freewheel" positions. Return dump valves to original position to operate the mower. Tighten to 7-10 ft-lbs.

17



18



19



20



21



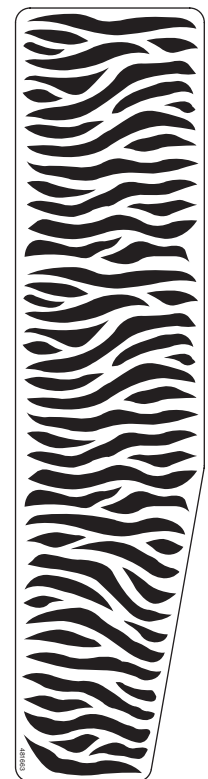
22



23



24



25

ELECTRICAL SCHEMATIC - KUBOTA DIESEL

