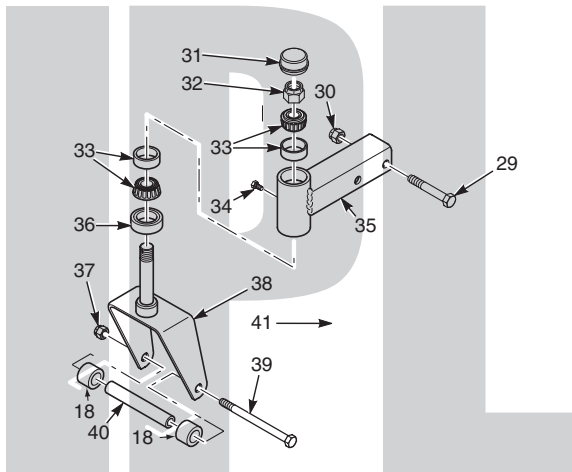


SCAG® POWER EQUIPMENT



ILLUSTRATED PARTS MANUAL



Model STT Turf Tiger

THIS MANUAL CONTAINS THE ILLUSTRATED PARTS LIST FOR MODELS:

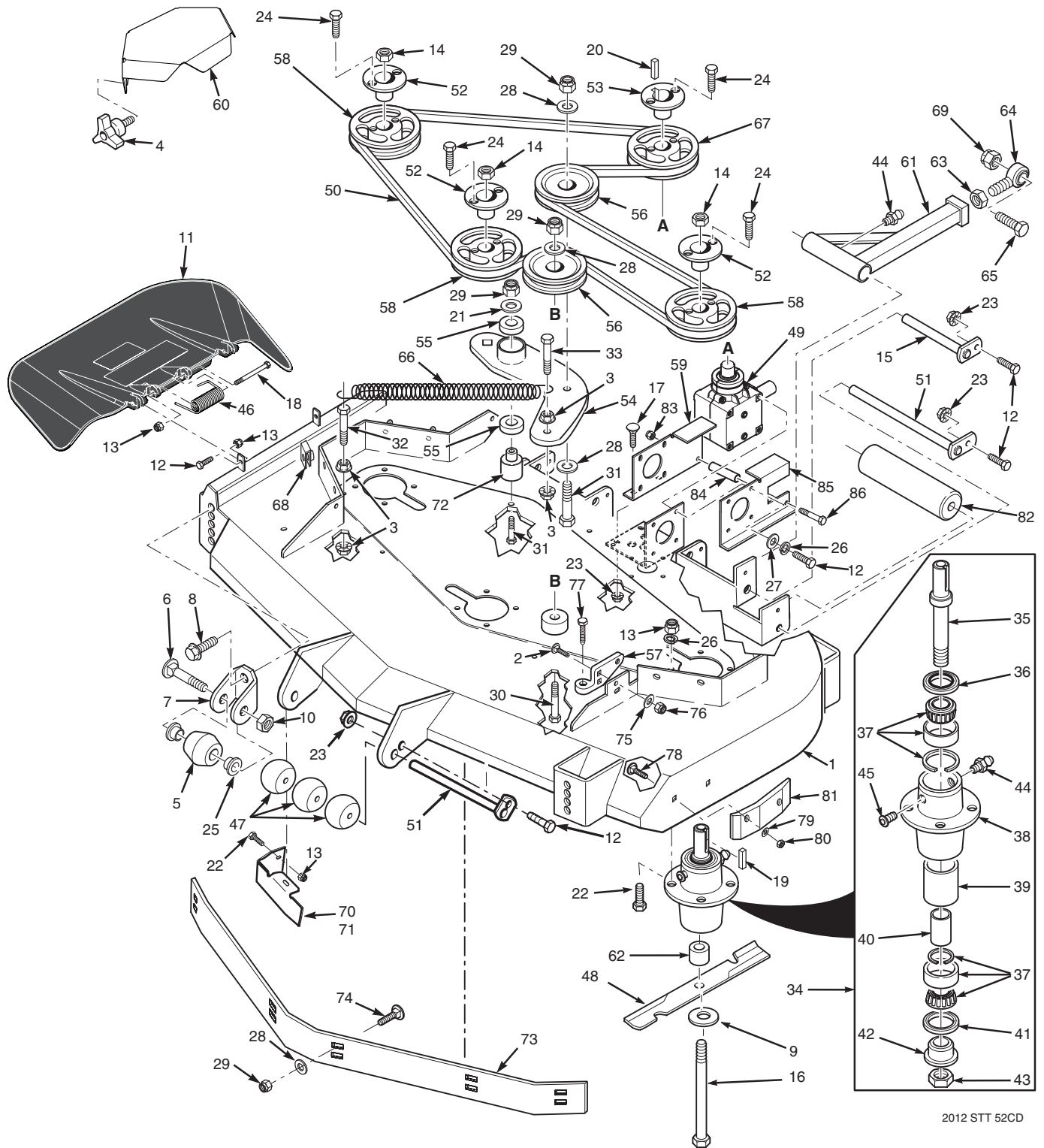
**STT52V-26CH-EFI
STT61V-25KA
STT61V-26CH-EFI
STT61V-26DFI
STT61V-35BVAC
STT72V-26CH-EFI
STT72V-26DFI
STT72V-35BVAC**

**with a serial number of K1400001 to K1499999
with a serial number of K1700001 to K1799999
with a serial number of K1900001 to K1999999
with a serial number of K2000001 to K2099999
with a serial number of K2200001 to K2299999
with a serial number of K2500001 to K2599999
with a serial number of K2600001 to K2699999
with a serial number of K2700001 to K2799999**

Table of Contents

52V CUTTER DECK.....	2
61V & 72VS CUTTER DECKS	4
CUTTER DECK CONTROLS	6
SHEET METAL COMPONENTS	8
STT ROLL-OVER PROTECTION SYSTEM	10
STT SUSPENSION SEAT	12
DECK DRIVE COMPONENTS	14
ENGINE AND ATTACHING PARTS - KOHLER	16
ENGINE & ATTACHING PARTS - 25KA, 26DFI KAWASAKI & 35BVAC.....	18
BRAKE AND STEERING COMPONENTS	20
STT HYDRAULIC SYSTEM	22
STT FUEL SYSTEM	24
BDP-16A HYDRAULIC PUMP ASSEMBLY.....	26
BDP-16A HYDRAULIC PUMP ASSEMBLY WITH COOLING FAN	28
ELECTRICAL SYSTEM - 25KA - KAWASAKI.....	30
ELECTRICAL SYSTEM - 26CH-EFI - KOHLER	32
ELECTRICAL SYSTEM - 26DFI - KAWASAKI.....	34
ELECTRICAL SYSTEM - 35BVAC - BRIGGS & STRATTON	36
REPLACEMENT DECALS AND INFORMATION PLATES	38
STT ELECTRICAL SCHEMATIC (25KA - KAWASAKI)	40
STT ELECTRICAL SCHEMATIC (26CH-EFI - KOHLER).....	41
ELECTRICAL SCHEMATIC (26DFI - KAWASAKI)	42
STT ELECTRICAL SCHEMATIC (35BVAC BRIGGS & STRATTON)	43

52V CUTTER DECK



2012 STT 52CD

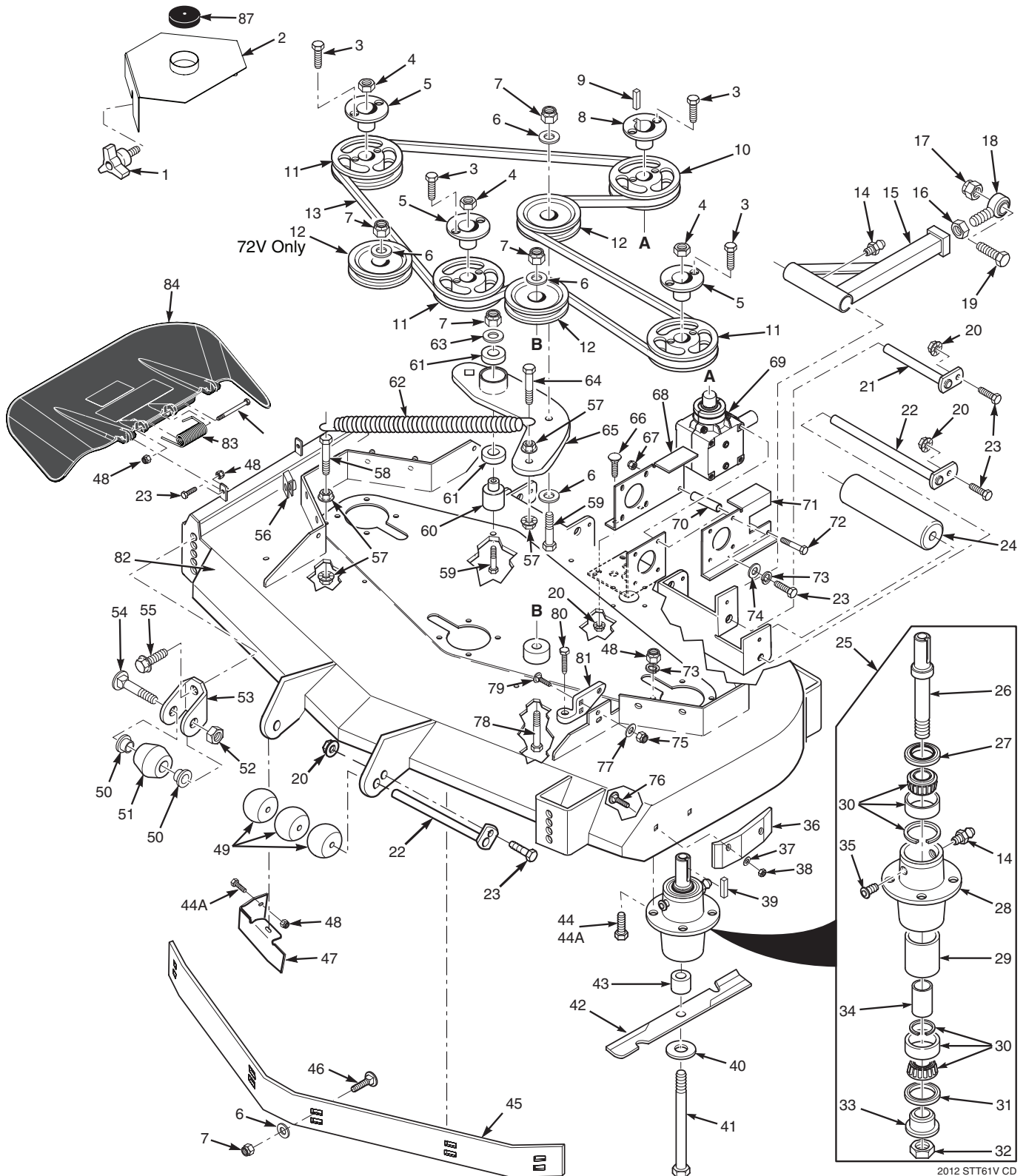
52V CUTTER DECK

Ref. No.	Part No.	Description
1	461859	Cutter Deck Velocity Plus
2	04003-40	Bolt, Carriage 7/16-14 x 1-1/4"
3	04019-04	Nut, Hex Serr. Flng 3/8-16
4	481625-01	Wing nut, 3/8-16
5	481632	Anti-Scalp Wheel
6	04003-26	Bolt, Carriage 3/8-16 x 4"
7	422478	Anti-Scalp Wheel Bracket
8	04017-27	Bolt, Hex Serr. Flng 3/8-16 x 1"
9	04043-06	Flatwasher, 5/8" Hardened
10	04021-05	Locknut, 3/8-16 Center Lock
11	461845	Discharge Chute Assembly
	*462475	CA Discharge Chute, 52V
12	04001-11	Bolt, Hex Head 5/16-18 x 1-3/4" - Front
	04001-12	Bolt, Hex Head 5/16-18 x 1-1/2" - Rear
13	04021-22	Nut, Hex Elastic Stop 5/16-18 Grd 8
14	04020-09	Nut, 5/8-11 UNC
15	451240	Push Arm Shaft
16	04001-41	Bolt, HH 5/8-11 x 9-1/2"
17	04003-12	Bolt, Carriage 5/16-18 x 3/4"
18	04001-108	Bolt, HH 5/16-18 x 4-1/2"
19	04063-08	Key, 1/4 x 1/4 x 2"
20	04063-01	Key, 1/4 x 1/4 x 1-1/4"
21	04043-04	Flatwasher, 3/8" (.39 x .938 x .105") HD
22	04001-176	Bolt, HH 5/16-18 x 1-3/4"
23	04019-03	Nut, Hex Serr. Flng 5/16-18
24	04001-172	Bolt, HH 1/4-20 x 1" Grd 8
25	48100-15	Bushing, .376" I.D. Oilite
26	04030-03	Lockwasher, 5/16"
27	04040-15	Flatwasher, 5/16" (.375 x .875 x .083")
28	04041-07	Flatwasher, 3/8" (.391 x .938 x .105")
29	04021-09	Nut, Hex Elastic Stop 3/8-16
30	04001-62	Bolt, HH 3/8-16 x 3-1/4"
31	04001-54	Bolt, HH 3/8-16 x 3"
32	04001-20	Bolt, HH 3/8-16 x 1-1/2"
33	04001-136	Bolt, HH 3/8-16 x 1-1/2" Grd 8
34	461663	Spindle Assembly
35	43589	Spindle Shaft
36	481024	Seal, Top
37	481022	Bearing Assembly
38	43644	Spindle Housing
39	43312	Spacer, Outside
40	43296	Spacer, Inside
41	481025	Seal, Bottom
42	43297	Spindle Bushing, Bottom
43	481035	Nut, Special 1-1/16-18
44	48114-04	Grease Fitting
45	48677	Relief Fitting, Tapered Spindle

Ref. No.	Part No.	Description
46	483378	Spring, Discharge Chute
47	482295	Wheel, Anti-Scalp
48	482878	Cutter Blade, 18"
49	482486	Gearbox Assm, Deck Drive
50	482281	Belt, Cutter Deck Drive
51	45944	Roller Shaft
52	48926	Tapered Hub, 1-1/8" Bore
53	48141	Tapered Hub, 1" Bore
54	461842	Idler Arm, Cutter Deck
55	48224	Bearings, Ball
56	483215	Pulley, Idler
57	461929	Lever Assembly, Deck Level (Incl. 77)
58	482744	Pulley, 5.75" O.D. (52")
59	424798	Mounting Plate, RH Gearbox
60	425635	Belt, Cover (52)
61	461516	Pusharm (includes items 44, 63 & 64)
62	43590	Spacer, Spindle Bottom
63	04020-16	Nut, Hex Head 5/8-18 UNF
64	48763	Rod End, 5/8" Male RH Thrd
65	04001-79	Bolt, Hex Head 5/8-11 x 4-1/2"
66	483704	Spring, Cutter Deck
67	482747	Pulley, 6.95" O.D.
68	04110-03	U-Nut, 3/8-16
69	04021-13	Nut, Hex Elastic Stop 5/8-11
70	424208	Discharge Baffle 52V
71	*424211	Turbo Baffle, 52V
72	43681	Pivot, Idler
73	424840	Baffle, Custom Cut 52V
74	04003-23	Bolt, Carriage 3/8-16 x 1"
75	04040-11	Flatwasher, 7/16" (.500 x 1.25 x .083")
76	04021-11	Nut, Elastic Stop 7/16-14
77	483167	Bolt, Deck Adjust
78	04003-12	Bolt, Carriage 5/16-18 x 3/4"
79	04040-04	Flatwasher, 5/16"
80	04021-04	Nut, Center Lock 5/16-18
81	483176	Wear Pad
82	48038	Wheel, Anti-Scalp
83	04021-10	Nut, Elastic Stop 5/16-18
84	43763	Spacer, Gearbox Mount
85	424799	Mounting Plate, LH Gearbox
86	04001-154	Bolt, HH 5/16-18 x 4-3/4"

* = California Models Only (not shown)

61V & 72VS CUTTER DECKS



2012 STT61V CD

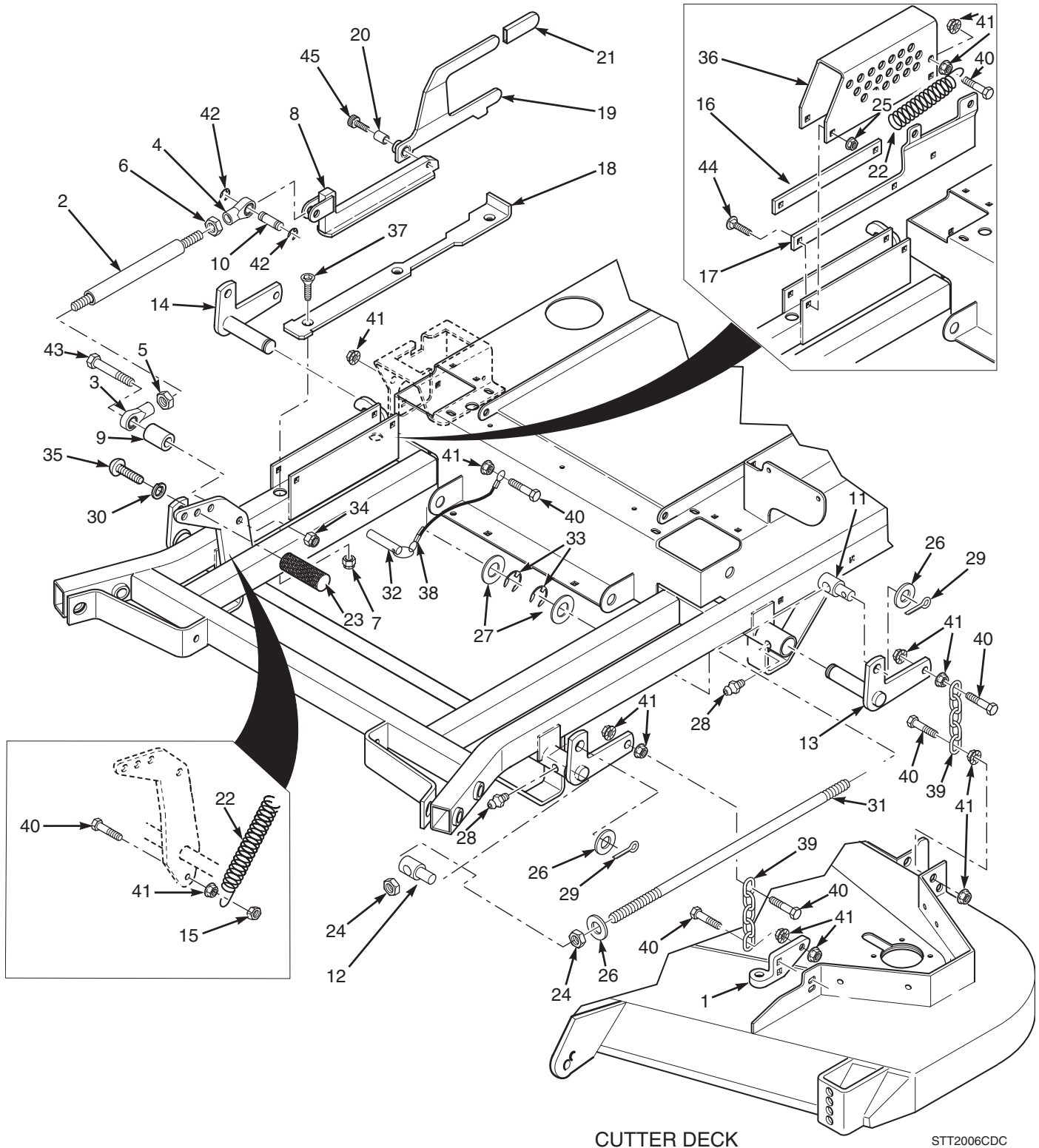
61V & 72VS CUTTER DECKS

Ref. No.	Part No.	Description	61	72
1	481625-01	Wing Nut, 3/8-16	X	X
2	462360	Belt Cover Assembly	X	
	462398	Belt Cover Assy., RH		X
	462397	Belt Cover Assy., LH		X
3	04001-172	Bolt, Hex Head 1/4-20 x 1" Grd 8	X	X
4	04020-09	Nut, 5/8-11 UNC	X	X
5	48926	Tapered Hub, 1-1/8" Bore	X	X
6	04041-07	Flatwasher, 3/8" (.391 x .938 x .105)	X	X
7	04021-09	Nut, Hex Elastic Stop 3/8-16	X	X
8	48141	Tapered Hub, 1" Bore	X	X
9	04063-0	Key, 1/4 x 1/4 x 1-1/4"	X	X
10	482746	Pulley, 6.75 O.D.	X	
	482745	Pulley, 6.35 O.D.		X
11	482745	Pulley, 6.35 O.D.	X	
	482747	Pulley, 6.95 O.D.		X
12	483215	Pulley, Idler	X	X
13	481558	Belt, Cutter Deck Drive	X	
	481980	Belt, Cutter Deck Drive		X
14	48114-04	Grease Fitting	X	X
15	461516	Pusharm (incl. items 14, 16, & 18)	X	X
16	04020-16	Nut, Hex Head 5/8-18 UNF	X	X
17	04021-13	Nut, Hex Elastic Stop 5/8-11	X	X
18	48763	Rod End, 5/8" Male RH Thread	X	X
19	04001-79	Bolt, Hex Head 5/8-11 x 4-1/2"	X	X
20	04019-03	Nut, Hex Serrated Flange 5/16-18	X	X
21	451240	Push Arm Shaft	X	X
22	45944	Roller Shaft	X	X
23	04001-12	Bolt, Hex Head 5/16-18 x 1-3/4"	X	X
24	48038	Wheel, Anti-Scalp	X	X
25	461663	Spindle Assembly	X	X
26	43589	Spindle Shaft	X	X
27	481024	Seal, Top	X	X
28	43644	Spindle Housing	X	X
29	43312	Spacer, Outside	X	X
30	481022	Bearing Assembly	X	X
31	481025	Seal, Bottom	X	X
32	481035	Nut, Special 1-1/16-18	X	X
33	43297	Spindle Bushing, Bottom	X	X
34	43296	Spacer, Inside	X	X
35	48677	Relief Fitting, Tapered Spindle	X	X
36	483176	Wear Pad	X	
	483174	Wear Pad		X
37	04040-04	Flatwasher, 5/16"	X	X
38	04021-04	Nut, Center Lock 5/16-18	X	X
39	04063-08	Key, 1/4 x 1/4 x 2"	X	X
40	04043-06	Flatwasher, 5/8" Hardened	X	X
41	04001-41	Bolt, Hex Head 5/8-11 x 9-1/2"	X	X
42	482879	Cutter Blade, 21"	X	
	482881	Cutter Blade, 21" (35BVAC)	X	
	482882	Cutter Blade, 24.5"		X
43	43590	Spacer, Spindle Bottom	X	X
44	04001-176	Bolt, Hex Head 5/16-18 x 1-3/4"	X	X

Ref. No.	Part No.	Description	61	72
45	424841	Baffle, Custom Cut 61V	X	
	424917	Baffle, Custom Cut 72V		X
46	04003-23	Bolt, Carriage 3/8-16 x 1"	X	X
47	424209	Discharge Baffle 61V	X	X
	*425625	Discharge Baffle 61V	X	
	424856	Discharge Baffle 72V		X
	423958	Discharge Baffle 72V		X
48	04021-22	Nut, Hex Elastic Stop 5/16-18 Grd 8	X	X
49	482295	Wheel, Anti-Scalp	X	X
50	48100-15	Bushing, .376 I.D. Oilite	X	X
51	481632	Anti-Scalp Wheel	X	X
52	04021-05	Locknut, 3/8-16 Center Lock	X	X
53	422478	Anti-Scalp Wheel Bracket	X	X
54	04003-26	Bolt, Carriage 3/8-16 x 4"	X	X
55	04017-27	Bolt, Hex Serrated Flange 3/8-16 x 1"	X	X
56	04110-03	U-Nut, 3/8-16	X	X
57	04019-04	Nut, Hex Serrated Flange 3/8-16	X	X
58	04001-20	Bolt, Hex Head 3/8-16 x 1-1/2"	X	X
59	04001-54	Bolt, Hex Head 3/8-16 x 3"	X	X
60	43681	Pivot, Idler	X	X
61	48224	Bearings, Ball	X	X
62	483704	Spring, Cutter Deck	X	X
63	04043-04	Flatwasher, 3/8-.39 x .938 x .105 HD	X	X
64	04001-136	Bolt, Hex Head 3/8-16 x 1-1/2" Grd 8	X	X
65	461842	Idler Arm, Cutter Deck	X	X
66	04003-12	Bolt, Carriage 5/16-18 x 3/4"	X	X
67	04021-10	Nut, Elastic Stop 5/16-18	X	X
68	424798	Mounting Plate, RH Gearbox	X	X
69	482486	Gearbox Assembly, Deck Drive	X	X
70	43763	Spacer, Gearbox Mount	X	X
71	424799	Mounting Plate, LH Gearbox	X	X
72	04001-154	Bolt, Hex Head 5/16-18 x 4-3/4"	X	X
73	04030-03	Lockwasher, 5/16"	X	X
74	04040-15	Flatwasher, 5/16" (.375 x .875 x .083)	X	X
75	04021-11	Nut, Elastic Stop 7/16-14	X	X
76	04003-12	Bolt, Carriage 5/16-18 x 3/4"	X	X
77	04040-11	Flatwasher, 7/16-.500 x 1.25 x .083	X	X
78	04001-62	Bolt, Hex Head 3/8-16 x 3-1/4"	X	X
79	04003-40	Bolt, Carriage 7/16-14 x 1-1/4"	X	X
80	483167	Bolt, Deck Adjust	X	X
81	461929	Lever Assy, Deck Level (Incl.80)	X	X
82	461863	Cutter Deck 61 V w/Decals	X	
	462144	Cutter Deck 72 V w/Decals		X
83	483378	Spring, Discharge Chute	X	X
84	461846	Discharge Chute Assembly	X	
	462477	CA Discharge Chute Assembly	X	
	462132	Discharge Chute Assembly		X
	462478	CA Discharge Chute Assembly		X
85	04001-108	Bolt, Hex Head 5/16-18 x 4-1/2"	X	X
86	04003-37	Bolt, Carriage 5/16-18 x 1-1/4"	X	X
87	484368	Cap, Spindle	X	X

* = California Models Only (not shown)

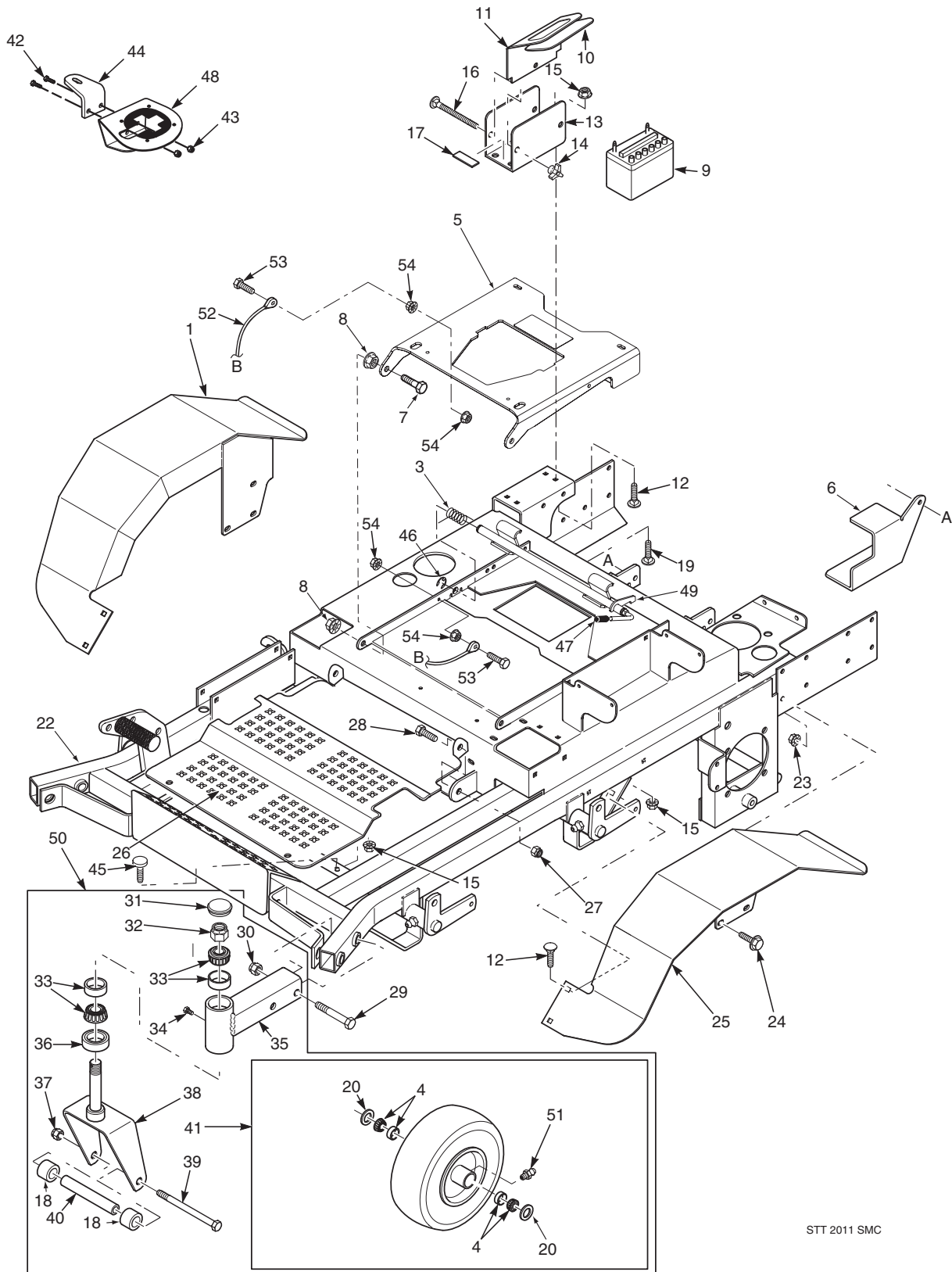
CUTTER DECK CONTROLS



CUTTER DECK CONTROLS

Ref. No.	Part No.	Description
1	461929	Lever Assembly, Deck Level
2	481764	Link, Deck Lift
3	481765	Rod End, Female - 1/2-20 RH
4	481766	Rod End, Female - 1/2-20 LH
5	04020-27	Nut, Jam 1/2-20 RH
6	04020-28	Nut, Jam 1/2-20 LH
7	04021-09	Nut, 3/8-16 Elastic Stop
8	482429	Slide Weldment, Height Adjustment
9	43391	Spacer, Decklift Pedal
10	43487	Pin, Decklift
11	43526	Swivel Joint, LH
12	43527	Swivel Joint, RH
13	45904	Bellcrank Weldment, LH Rear
14	45905	Bellcrank Weldment, RH Rear
15	04021-05	Locknut, 3/8-16 Center Lock
16	422381	Guide, Short
17	423509	Guide, Long
18	422346	Lockplate, Decklift
19	46975	Deck Latch (Includes items 20 & 21)
20	48100-14	Bushing, .502" ID.
21	481428	Grip, Deck Latch
22	481598	Spring, Helper (61" & 72" Cutter Decks Only)
23	424504	Foot Pedal, Height Adjustment
24	04020-09	Nut, Hex 5/8-11
25	04019 -03	Nut, Hex Serrated Flange 5/16-18
26	04040-09	Flatwasher, 5/8" (.656 x 1.312 x .095")
27	04041-14	Flatwasher, 1" (1.062 x 1.50 x .048")
28	48114-04	Grease Fitting
29	04061-07	Cotter Pin, 3/16 x 1"
30	04030-07	Lockwasher, 5/8"
31	04004-44	Stud, 5/8-11 x 22.0"
32	04067-09	Ring Pin, 1/2 x 3.06"
33	04050-08	Ring, Retaining 1" External "E"
34	04021-07	Nut, Hex Elastic Stop 1/2-13
35	04105-01	Capscrew, 5/8-11 x 1-1/2"
36	423463	Bracket, Cutting Height Adjustment
37	04014-03	Screw, Cap 5/16-18 x 3" FHHS
38	481547	Lanyard, Deck Height Pin
39	48540	Chain
40	04001-20	Bolt, Hex Head 3/8-16 x 1-1/2"
41	04019-04	Nut, Hex Serrated Flange 3/8-16
42	04050-10	Ring, Retaining 1/2" External "E"
43	04001-74	Bolt, Hex Head 1/2-13 x 3"
44	04003-04	Bolt, Carriage 5/16-18 x 1"
45	04009-02	Bolt, Shoulder 1/2 x 3/4"

SHEET METAL COMPONENTS

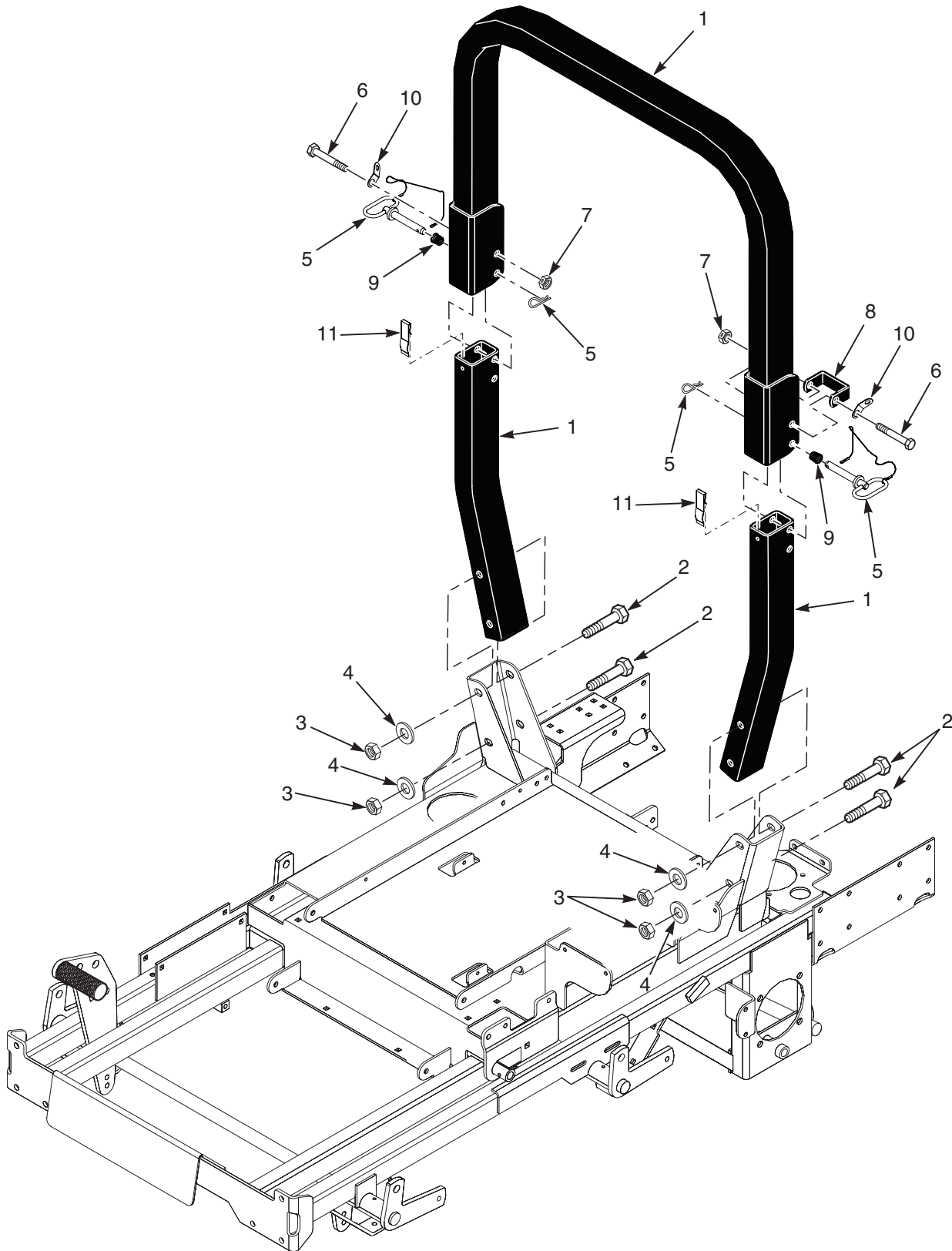


STT 2011 SMC

SHEET METAL COMPONENTS

Ref. No.	Part No.	Description	Ref. No.	Part No.	Description
1	451481	Fender Weldment, RH	46	04050-01	Retaining Ring, .625" Ext. "E"
2	04001-09	Bolt, Hex Head, 5/16-18 x 1, Zinc	47	484341	Grip, Seat Latch
3	483371	Spring, Seat Latch	48	9240	Cup Holder Assembly
4	482621	Bearing w/ Race	49	491731	Lever Assembly, Seat Release
5	491729	Seat Plate w/Decal	50	462312	Caster Wheel Assembly (Incl. 31 thru 43) 52V (LH)
6	424819	Guard, Fuel Line		462313	Caster Wheel Assembly (Incl. 31 thru 43) 52V (RH)
7	04001-117	Bolt, Hex Head 7/16-14 x 1-3/4"		462314	Caster Wheel Assembly (Incl. 31 thru 43) 61V (LH)
8	04019-05	Nut, 7/16-14 Serrated Flange		462315	Caster Wheel Assembly (Incl. 31 thru 43) 61V (RH)
9	*	Battery (not avail. through Scag)		462316	Caster Wheel Assembly (Incl. 31 thru 43) 72VS (LH)
10	48903	Pad, Battery Cover		462317	Caster Wheel Assembly (Incl. 31 thru 43) 72VS (RH)
11	421274	Cover, Battery	51	48114-10	Grease Fitting
12	04003-12	Bolt, Carriage 5/16-18 x 3/4"	52	48566	Cable, Seat Stop
13	423308	Plate, Battery Box	53	04001-02	Bolt, Hex Head 1/4-20 x 1-1/4"
14	04029-01	Wing Nut, 1/4-20 x 3/4"	54	04019-02	Nut, Serrated Flange 1/4-20
15	04019-03	Nut, Hex Serrated Flange 5/16-18			
16	04003-01	Bolt, Carriage 1/4-20 x 6"			
17	48661	Rubber Pad			
18	43584	Spacer, Caster Wheel			
19	04003-04	Bolt, Carriage 5/16-18 x 1"			
20	482622	Seal			
21	04021-09	Locknut, 3/8-16, Elast. Stop			
22	462329	Main Frame w/Decals			
23	04019-04	Nut, Hex Serrated Flange 3/8-16			
24	04017-27	Screw, Hex Serrated Flange 3/8-16 x 1"			
25	451480	Fender Weldment, LH			
26	423489	Foot Plate			
27	04021-09	Nut, Hex Elastic Stop 3/8-16			
28	04001-19	Bolt, Hex Head 3/8-16 x 1"			
29	04001-125	Bolt, Hex Head 5/8-11 x 4"			
30	04021-13	Nut, Hex Elastic Stop 5/8-11			
31	484195	Cap, Grease			
32	04021-20	Nut, Hex Elastic Stop 1.0-14			
33	481657	Bearing W/Race			
34	482028-01	Plug, 1/4-28 THD Form			
35	452196	Extention Weldment, Caster 52V (LH)			
	452197	Extention Weldment, Caster 52V (RH)			
	452198	Extention Weldment, Caster 61V (LH)			
	452199	Extention Weldment, Caster 61V (RH)			
	452200	Extention Weldment, Caster 72VS (LH)			
	452201	Extention Weldment, Caster 72VS (RH)			
36	481025	Seal, 2.00" OD. x 1.625" Bore			
37	04021-07	Nut, Hex Elastic Stop 1/2-13			
38	45934	Yoke Weldment, Caster (52V)			
	451416	Yoke Weldment, Caster (61V & 72A/VS)			
39	04001-134	Bolt, Hex Head 1/2-13 x 7-1/2" (52V)			
	04001-167	Bolt, Hex Head 1/2-13 x 9-1/2" (61V & 72A/VS)			
40	43581	Sleeve, Caster Wheel (52V)			
	43583	Sleeve, Caster Wheel (61V, 72VS)			
41	9277	Wheel Assy, 52V (Incl. items 20, 54, 55)			
	9278	Wheel Assy, 61V, 72V (Incl. 20, 54, 55)			
42	04001-01	Bolt, Hex Head 1/4-20 x 3/4"			
43	04001-01	Bolt, Hex Head 1/4-20 x 3/4"			
44	423674	Mounting Bracket, STT Cup Holder			
45	481284	Bumper, Rubber			

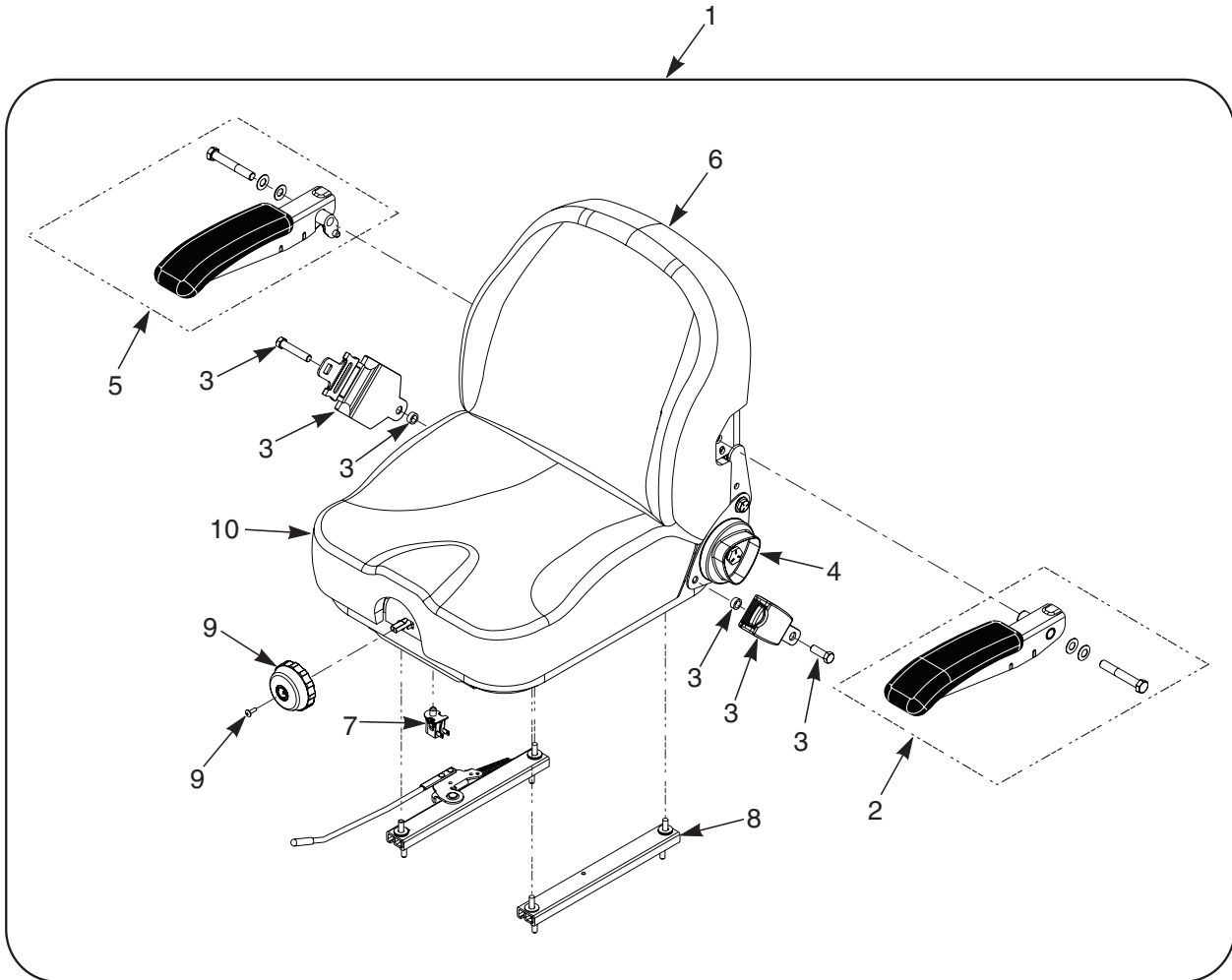
STT ROLL-OVER PROTECTION SYSTEM



STT ROLL-OVER PROTECTION SYSTEM

Ref. No.	Part No.	Description
1	462210	STT, ROPS
2	04001-87	Bolt, Hex Head 1/2-13 x 4"
3	04021-19	Nut, Center Lock 1/2-13
4	04040-13	Flatwasher, 1/2-.562 x 1.375 x .109
5	484168	Pin Assembly (incl. #9 & #10)
6	04001-163	Bolt, Hex Head 1/2-13 x 3-3/4"
7	04021-19	Nut, Center Lock 1/2-13
8	484166	Stop Bracket, ROPS
9	484170	Spring, ROPS
10	484169	Clip, ROPS
11	484167	Spring Clip, ROPS

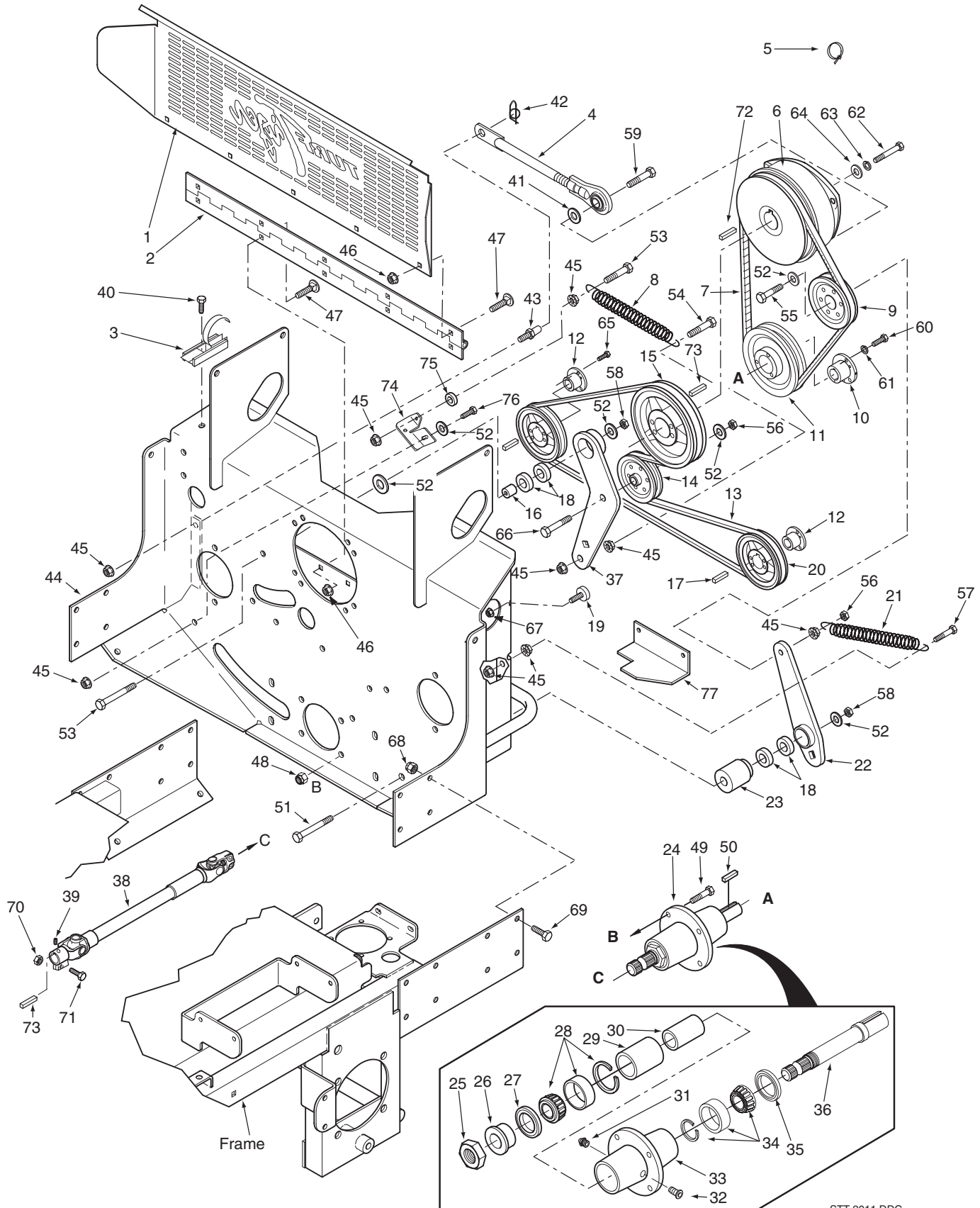
STT SUSPENSION SEAT



Ref. No.	Part No.	Description
1	922A	Suspension Seat Assembly w/seat belt
2	484709	Armrest Kit, LH
3	484717	Seat Belt Kit
4	484711	Recliner Knob Kit
5	484710	Armrest Kit, RH
6	484712	Back Cover
7	481638	Seat Switch
8	484713	Track Kit
9	484714	Suspension Knob Kit
10	484708	Seat Cushion

NOTES

DECK DRIVE COMPONENTS



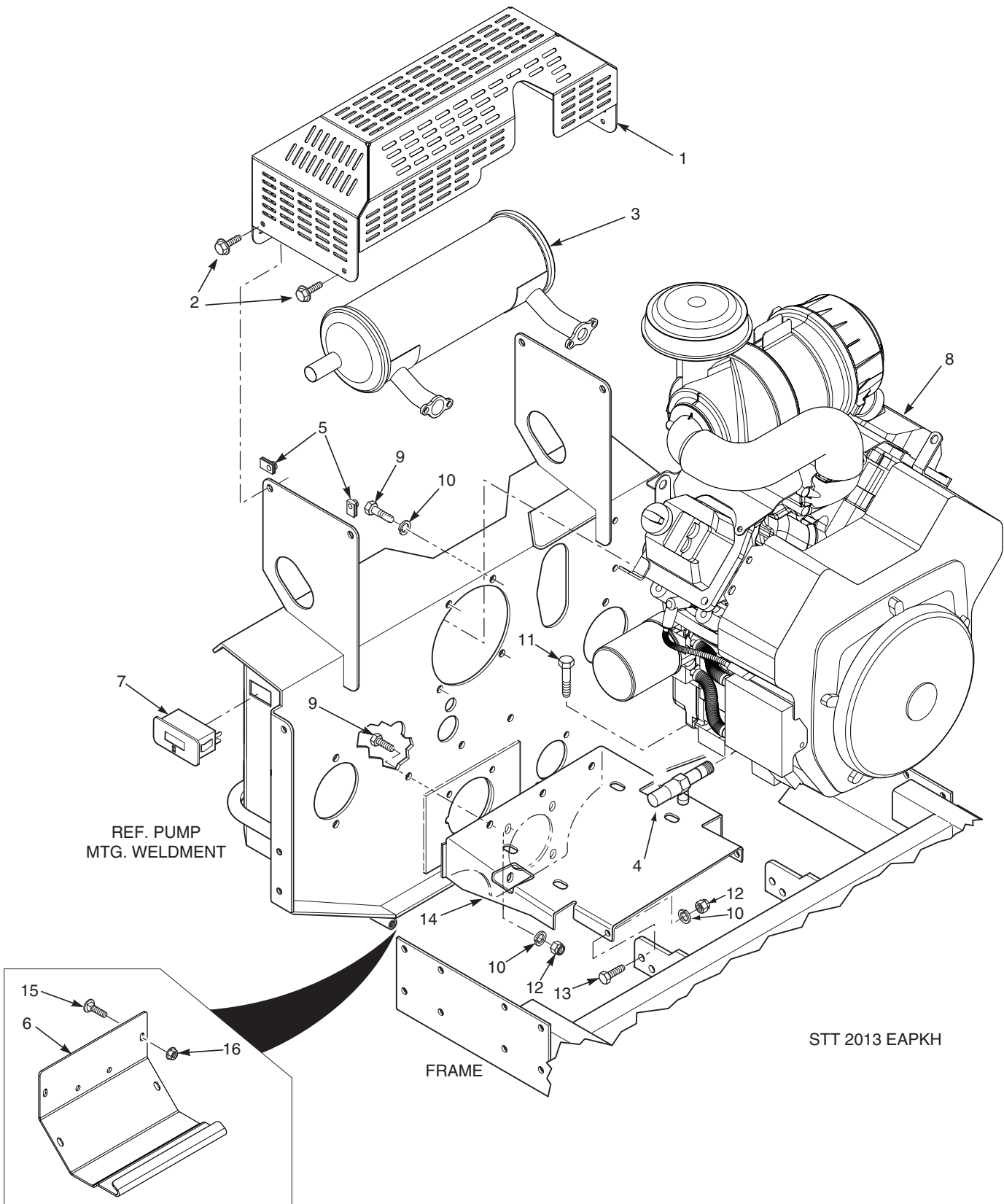
STT 2011 DDC

DECK DRIVE COMPONENTS

Ref. No.	Part No.	Description
1	423925	Belt Guard, Rear
2	481531	Hinge, Belt Guard
3	481309	Latch, Hood
4	482845	Rod Assembly, Clutch Anti-Rotation
5	48030-09	Clamp, Cable
6	461661	Clutch, Ogura GT-3.5
	461826	Clutch, Ogura GT-5 (35BVAC)
7	482876	Belt, Deck Drive
8	483088	Spring, Transmission Idler
9	48181	Pulley, Idler 5" Dia.
10	481536	Tapered Hub, 1" Bore
11	482949	Pulley, 6.70" Tapered Bore
12	481884	Tapered Hub, 17mm Bore
13	483165	Belt, Pump Drive STT
	483166	Belt, Pump Drive (26DFI, 26CH-EFI, 35BVAC)
14	483214	Pulley, Idler 4" Dia.
15	483082	Pulley, 4.55" Dia.-1.125" Bore (25KA, 26CH-EFI)
	483083	Pulley, 5.15" Dia.-1.125" Bore (26DFI, 35BVAC)
16	43631	Spacer, Idler Bearing
17	04063-14	Key, 5.0 x 5.0 x 25mm
18	48224	Ball Bearing
19	481284	Bumper, Rubber
20	482745	Pulley, 6.35" O.D.
21	482667	Spring, PTO
22	461609	Idler Arm Weldment, PTO Drive
23	43632	Pivot, Idler PTO
24	461697	Spindle Assembly, Deck Drive
25	481035	Nut, 1.06"-18 Thread
26	43297	Spindle Bushing, Bottom
27	481025	Seal, 2.0" OD x 1.625" Bore
28	481022	Roller Bearing Tapered
29	43312	Spacer, Outside
30	43296	Spacer, Inside
31	48114-04	Grease Fitting, 1/4-28
32	48677	Relief Fitting
33	43644	Spindle Housing
34	481022	Roller Bearing Tapered
35	481024	Seal, 2.0" OD x 1.5" Bore
36	43534	Shaft, Deck Drive
37	461608	Idler Arm Weldment, Pump Drive
38	482424	Driveshaft (Air-Cooled Engine)
	482438	Driveshaft (Liquid-Cooled Engine & 35BVAC)
39	04012-08	Set Screw, 3/8-16 x 3/4" Torx Socket
40	04011-11	Screw, #10-32 x .56"
41	04041-07	Flatwasher, 3/8 (.391 x .938 x .105")
42	04069-01	Pin, Rue Cotter 3/8" Dia.
43	43507	Stud, Anti Rotation
44	452021	Pump Mounting Plate Weldment (Liquid-Cooled Kawasaki)
	452336	Pump Mounting Plate Weldment (Air-Cooled 26EFI Kohler)
	462091	Pump Mounting Plate Weldment (Air-Cooled Briggs & Stratton)
45	04019-04	Nut, Serrated Flange 3/8-16

Ref. No.	Part No.	Description
46	04019-02	Nut, Serrated Flange 1/4-20
47	04003-07	Bolt, Carriage 1/4-20 x 1/2"
48	04021-22	Nut, Elastic Stop 5/16-18 Grade 8
49	04001-176	Bolt, Hex Head 5/16-18 x 1-3/4" Grade 8
50	04063-06	Key, 1/4 x 1/4 x 1-1/2"
51	04001-171	Bolt, Hex Head 3/8-16 x 4-1/2" Grd 8 Black
52	04043-04	Washer, 3/8" Hardened
53	04001-135	Bolt, Hex Head 3/8-16 x 1-3/4" Grd 8 Black
54	04001-136	Bolt, Hex Head 3/8-16 x 1-1/2" Grd 8 Black
55	04001-170	Bolt, Hex Head 3/8-16 x 2-1/2" Grd.8
56	04021-05	Nut, Center Lock 3/8-16
57	04001-136	Bolt, Hex Head 3/8-16 x 1-1/2" Grd 8 Black
58	04021-09	Nut, Elastic Stop 3/8-16
59	04001-45	Bolt, Hex Head 3/8-16 x 2"
60	04001-109	Bolt, Hex Head 1/4-20 x 1-3/8"
61	04030-02	Lockwasher, 1/4" Spring
62	04001-101	Bolt, Hex Head 7/16-20 x 2-1/2" UNF
63	04030-05	Lockwasher, 7/16" Spring
64	04041-28	Flatwasher, 7/16 (.469 x 1.75 x .25")
65	04001-172	Bolt, Hex Head 1/4-20 x 1" Grade 8
66	04001-21	Bolt, Hex Head 3/8-16 x 1-3/4"
67	04019-03	Nut, Serrated Flange 5/16-18
68	04021-09	Nut, Elastic Stop 3/8-16
69	04001-19	Bolt, Hex Head 3/8-16 x 1"
70	04021-05	Nut, Center Lock 3/8-16
71	04001-21	Bolt, Hex Head 3/8-16 x 1-3/4"
72	04063-02	Key, 1/4 x 1/4 x 2-1/4"
73	04063-20	Key, 1/4 x 1/4 x 1"
74	424138	Bracket
75	43063	Spacer
76	04001-19	Bolt, Hex Head 3/8-16 x 1"
77	425214	Bracket, Idler Stop

ENGINE AND ATTACHING PARTS - KOHLER

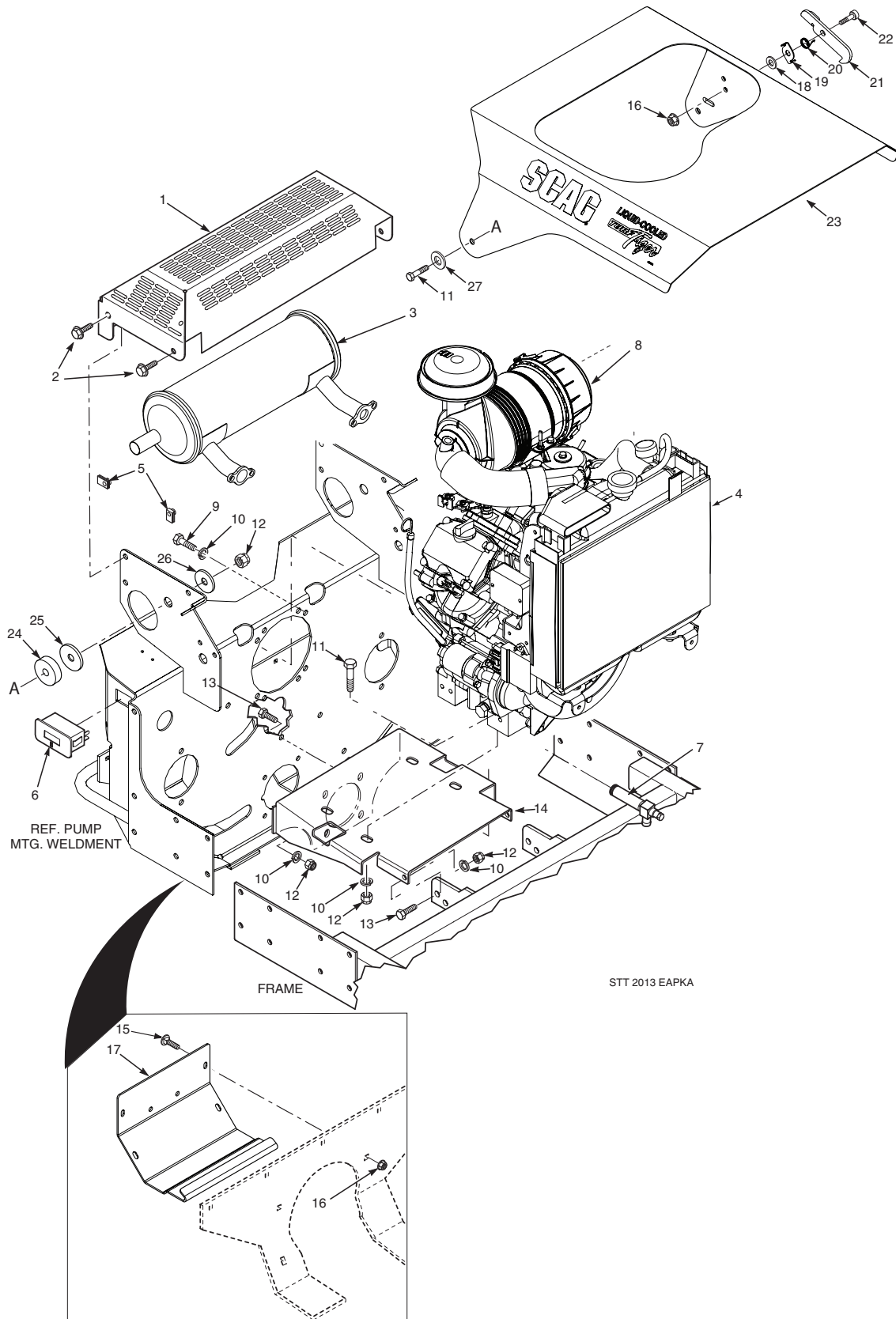


ENGINE AND ATTACHING PARTS - KOHLER

Ref. No.	Part No.	Description
1	425933	Muffler Guard
2	04017-05	Screw, Hex Serrated Flange 1/4-20 x 3/4"
3	**	Muffler, Part Of Engine (Available only through Kohler)
4	482510	Oil Drain Extension
5	04110-01	U-Nut, 1/4-20
6	424691	Rear Cover
7	484565	Hour Meter
8	**485036	Engine, Kohler 26CH-EFI (Available only through Kohler)
9	04001-19	Bolt, Hex Head 3/8-16 x 1"
10	04030-04	Lockwasher, 3/8" Spring
11	04001-21	Bolt, Hex Head 3/8-16 x 1-3/4"
12	04021-09	Nut, Hex Elastic Stop 3/8-16
13	04001-32	Bolt, Hex Head 3/8-16 x 1-1/4"
14	452302	Plate, Engine Mounting - 26CH-EFI
15	04003-12	Bolt, Carriage 5/16-18 x 3/4"
16	04019-03	Nut, Hex Serrated Flange 5/16-18

** Available through the individual engine manufacturer.

ENGINE & ATTACHING PARTS - 25KA, 26DFI KAWASAKI & 35BVAC



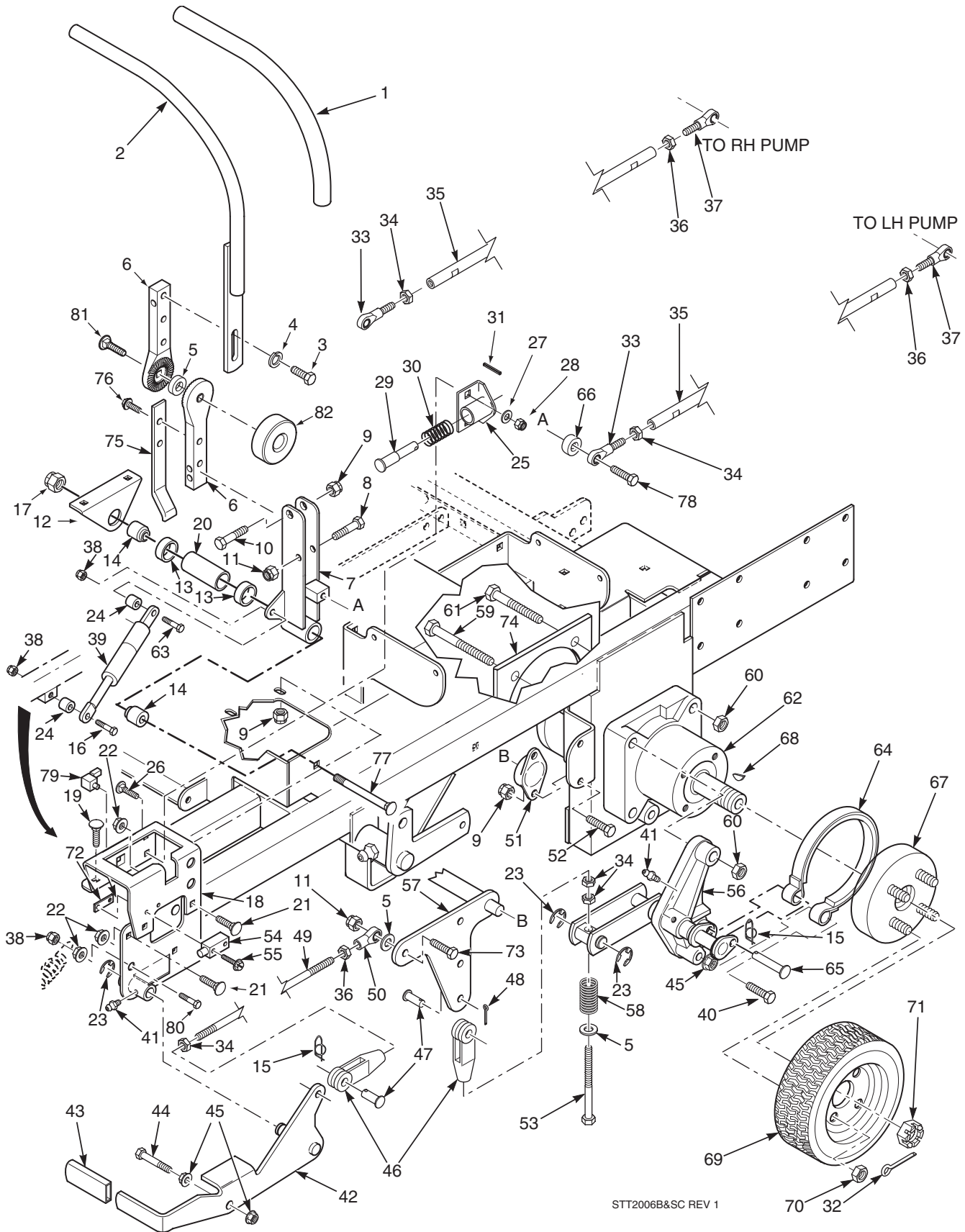
ENGINE & ATTACHING PARTS - 25KA, 26DFI KAWASAKI & 35BVAC

Ref. No.	Part No.	Description
1	451378	Muffler Guard (Kawasaki)
	425933	Muffler Guard (Briggs & Stratton)
2	04017-05	Screw, Hex Serrated Flange 1/4-20 x 3/4"
3	482699	Muffler (Kawasaki)
	483819	Muffler (Briggs & Stratton)
	483857	Spark Arrestor Assembly, Briggs & Stratton (not shown, 35BVAC only)
4	452243	Screen Weldment, Radiator (Kawasaki Only)
5	04110-01	U-Nut, 1/4-20
6	484565	Hour Meter
7	482351	Oil Drain, 2.6" (Kawasaki Only)
	483017	Oil Drain, (BV Only)
8	** 485037	Engine, Kawasaki 750KA (Available only through Kawasaki)
	** 485038	Engine, Kawasaki 791DFI (Available only through Kawasaki)
	** 484238	Engine, Briggs & Stratton V-Twin Air-Cooled (Avail. only through B & S)
9	04002-18	Bolt, M10-1.50 x 25mm Grade 8.8
10	04030-04	Lockwasher, 3/8" Spring
11	04001-21	Bolt, Hex Head 3/8-16 x 1-3/4"
12	04021-09	Nut, Hex Elastic Stop 3/8-16
13	04001-32	Bolt, Hex Head 3/8-16 x 1-1/4"
14	451454	Plate, Engine Mounting
15	04003-12	Bolt, Carriage 5/16-18 x 3/4"
16	04019-03	Nut, Hex Serrated Flange 5/16-18
17	424691	Rear Cover
18	04040-05	Flatwasher, 3/8 - .406 x .812 x .065
19	424634	Lock, Hood Latch
20	483507	Spring, Hood Latch
21	424633	Latch, Hood
22	04009-07	Bolt, Shoulder 5/16-18 x 1/2"
23	*462517	Hood Assembly w/Decals (Incl. 16, 18, 19, 20, 21, 22)
24	*43740	Spacer, Hood
25	*483471	Disc, Anti-Friction
26	*04041-11	Flatwasher, 3/8 - .406 x 1.50 x 7 Gauge
27	*04041-07	Flatwasher, 3/8 - .391 x .938 x .105

* Liquid Cooled Models Only.

** Available through the individual engine manufacturer.

BRAKE AND STEERING COMPONENTS

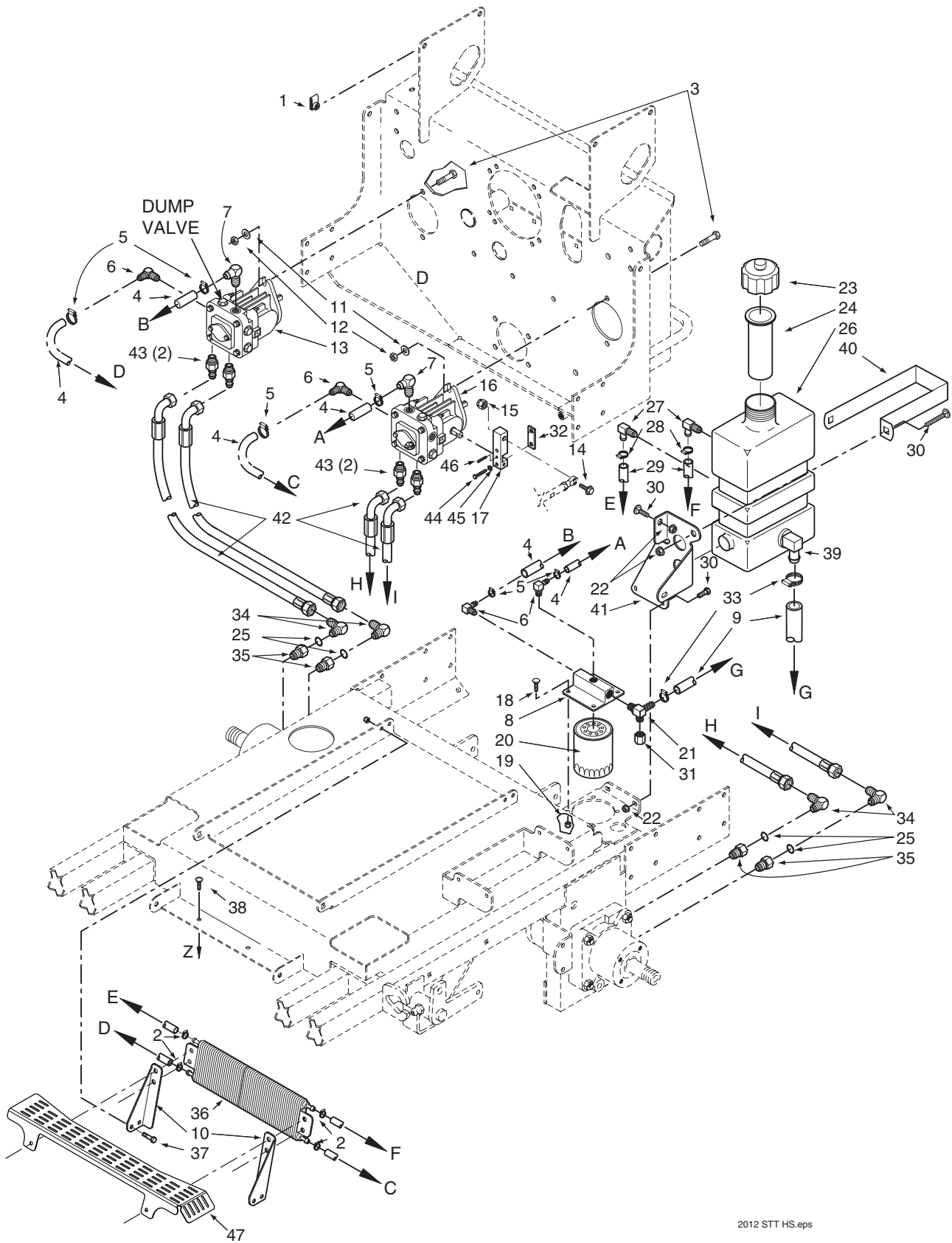


BRAKE AND STEERING COMPONENTS

Ref. No.	Part No.	Description
1	484376	Grip, Handle Bar
2	462402	Handle Bar, LH (Includes item 1)
	462403	Handle Bar, RH (Includes item 1)
3	04001-09	Bolt, Hex Head 5/16-18 x 1"
4	04030-03	Lockwasher, 5/16"
5	483250	Rubber Spacer
6	483238	Bar, Control Lever
7	451483	Control Lever Weldment, LH
	451484	Control Lever Weldment, RH
8	04001-17	Bolt, Hex Head 5/16-18 x 2"
9	04021-10	Nut, Hex Elastic Stop 5/16-18
10	04001-45	Bolt, Hex Head 3/8-16 x 2"
11	04021-09	Nut, Hex Elastic Stop
12	423488	Mount, Control Linkage
13	48224	Ball Bearings, Neutral Return
14	43607	Spacer
15	04069-01	Pin, Rue Cotter 3/8" Dia.
16	04001-13	Bolt, Hex Head, 5/16-18 x 2.75" Zinc
17	04021-13	Nut, Hex Elastic Stop 5/8-11
18	461601	Bracket, Control Lever LH
	461602	Bracket, Control Lever RH
19	04003-04	Bolt, Carriage 5/16-18 x 1"
20	43600	Spacer, Bearing
21	04003-12	Bolt, Carriage 5/16-18 x 3/4"
22	04019-03	Nut, Hex Serrated Flange 5/16-18
23	04050-01	Ring, Retaining 5/8" External "E"
24	43602	Spacer
25	45918	Bracket, Neutral Return
26	04003-02	Bolt, Carriage 1/4-20 x 3/4"
27	04040-14	Flatwasher, 1/4" (.312 x .750 x .065")
28	04021-08	Nut, Hex Elastic Stop 1/4-20
29	43477	Pin, Retaining Spring
30	481389	Spring
31	04060-01	Roll Pin, Spring 5/32" x 3/4"
32	04061-06	Pin, Cotter 9/16" x 1-1/2"
33	482586	Rod End, Male 3/8"-24 RH Thread
34	04020-25	Nut, 3/8"-24 RH Thread
35	43629	Tube, Control Link Air-Cooled Engine
	43624	Tube, Control Link Liquid-Cooled Engine
36	04020-26	Nut, Hex 3/8"-24 LH Thread
37	482585	Rod End, Male 3/8"-24 LH Thread
38	04021-10	Locknut, 5/16-18, Elastic Stop
39	484151	Gas Damper
40	04001-187	Bolt, Hex Head 1/2-13 x 2-1/2" Grade 8
41	48114-04	Grease Fitting
42	461082	Lever, Parking Brake (Includes item 43)
43	481548	Grip, Parking Brake
44	04001-22	Bolt, Hex Head 3/8-16 x 2-3/4"
45	04019-06	Nut, Hex Serrated Flange 1/2-13

Ref. No.	Part No.	Description
46	48343-04	Clevis, Traction Control
47	04064-02	Pin, Clevis 3/8-16 x 1-1/16"
48	04061-02	Pin, Cotter 3/32 x .75"
49	04004-34	Rod, Parking Brake
50	48544	Rod End, LH Thread
51	48796	Bushing, Self Align
52	04001-08	Bolt, Hex Head 5/16-18 x 3/4"
53	04001-147	Bolt, Hex Hd 3/8-24 x 5-1/4", 23/4" Thrd
54	481637	Switch
55	04010-12	Screw, Hex-Slotted Washer Head #10 32 x 3/4"
56	462100	Brake Linkage, LH
	462101	Brake Linkage, RH
57	45953	Bellcrank, Brake Actuator
58	48807	Spring
59	04001-163	Bolt, Hex Head 1/2-13 x 3-3/4"
60	04021-19	Locknut, Hex 1/2-13 Center Lock
61	04001-52	Bolt, Hex Head 1/2-13 x 2-1/2"
62	482639	Wheel Motor
63	04001-12	Bolt, Hex Head, 5/16-18 x 1.75", Zinc
64	483644	Brake Band Assembly
65	04064-16	Pin, Clevis 3/8" Dia. x 1.93"
66	43063	Spacer
67	461438	Wheel Hub/Brake Drum Assembly
68	04063-25	Key, Woodruff 5/16 x 1"
69	481552	Wheel Assembly 23 x 10.5-12 (52" Only)
	481659	Rim W/Valve Stem (52" Only)
	481660	Tire, 23 x 10.5-12 (52" Only)
	481850	Wheel Assembly 24 x 12-12 Turf Master
	481851	Rim W/Valve Stem
	481852	Tire, 24 x 12-12 Turf Master
70	04028-02	Lug Nut, 1/2-20
71	48680	Nut, Hex Castle
72	422373	Threaded Plate
73	04001-20	Bolt, Hex Head 3/8-16 x 1-1/2"
74	423279	Plate Weldment, Motor Backing
75	423491	Actuator Switch
76	04017-16	Bolt, Hex Serrated Flange 5/16-18 x 3/4"
77	04003-36	Bolt, Carriage 3/8-16 x 4-3/4"
78	04001-19	Bolt, Hex Head 3/8-16 x 1"
79	481638	Switch
80	04001-168	Bolt, Hex Head 3/8-16 x 1-1/4" Grade 8
81	04003-38	Bolt, Carriage 5/16-18 x 1-1/2"
82	483269	Knob

STT HYDRAULIC SYSTEM



2012 STT HS.eps

STT HYDRAULIC SYSTEM

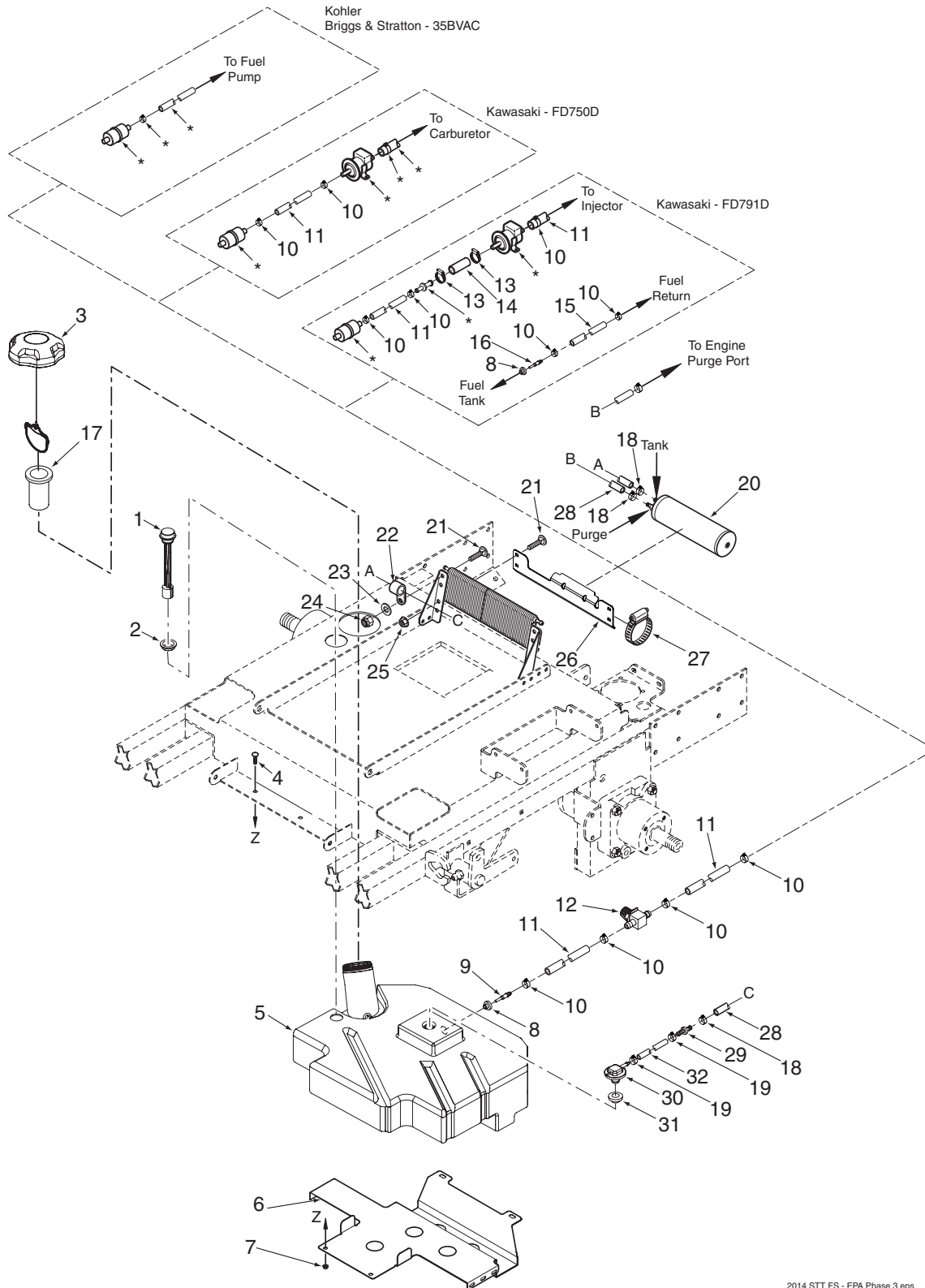
Ref. No.	Part No.	Description
1	04110-01	U-Nut 1/4-20
2	48136-13	Hose Clamp, 0.69" Dia.
3	04001-03	Bolt, Hex Head 1/4-20 x 2.0"
4	48811	Hose, 3/8" ID Pushlock - (order by inch)
5	48136-07	Clamp, Hose 1/2"
6	482266-01	Elbow, 90 Degree - 9/16" O-Ring x 3/8" Hose
7	482266-02	Elbow, 90 Degree - 3/4" O-Ring x 3/8" Hose
8	482417	Oil Filter Base
9	482606	Hose Assembly, 1/2" ID (Tank to Filter Base)
10	425437	Mounting Bracket - LH, Oil Cooler
	425490	Mounting Bracket - LH, Oil Cooler (35BVAC)
	425438	Mounting Bracket - RH, Oil Cooler
	425491	Mounting Bracket - RH, Oil Cooler (35BVAC)
11	04043-04	Flatwasher, 3/8" (.391 x .938 x .105") Grade 8
12	04021-09	Nut, Hex Elastic Stop 3/8-16
13	482696	Pump, Right Hand
	483100	Pump w/Fan, Right Hand (26DFI, 35BVAC)
14	04001-32	Bolt, Hex Head, 3/8-16 x 1-1/4"
15	04021-09	Nut, Hex, Elastic Stop 3/8-16
16	482695	Pump, Left Hand
	483101	Pump w/Fan, Left Hand (26DFI, 35BVAC)
17	481793	Block, Pump Control
18	04001-09	Bolt, Hex Head 5/16-18 x 1.0" Zinc
19	04019-03	Nut, Serrated Flange 5/16-18
20	48758	Oil Filter
21	482483	Tee, 3/4" O-Ring x JIC x 1/2" Hose
22	04021-08	Nut, Hex Elastic Stop 1/4-20
23	481164	Cap, Hydraulic Tank
24	481507	Insert, Filler Neck
25	48603-02	O-Ring
26	461451	Oil Reservoir Assembly (incl. 24, 27, 39)
27	482572	Elbow, 90 Degree .38" Hose
	482571	Bushing, .56" Dia. Viton
28	48136-13	Hose Clamp, 0.69" Dia.
29	48811	Hose, 3/8" ID, Pushlock (order by inch)
30	04010-10	Screw, Phillips Head, 1/4-20
31	48571-02	Cap
32	422694	Clamp Plate, Pump Control
33	48136-05	Clamp, Hose
34	48350-02	Elbow, 90 Degree, 1/2" x 1/2" (35BV Only)
	48350-05	Elbow, 90 Degree, 5/8" x 1/2"
35	48938-02	Bushing, 7/8"-14 JIC x 3/4"-16 O-Ring
36	482505	Cooler, Oil
37	04001-08	Bolt, Hex Head 5/16-18 x 3/4"
38	04003-02	Bolt, Carriage 1/4-20 x 3/4"
39	482574	Elbow, 90 Degree
	482573	Bushing, .78" Dia. Viton
40	423513	Strap, Hydraulic Tank

Ref. No.	Part No.	Description
41	423485	Support Bracket, Hydraulic Tank
42	484459	Hose Assembly, Pump
43	48572-04	Union, 3/4"-16 JIC x 3/4"-16 O-Ring
44	04001-59	Bolt, Hex Head, 1/4-20 x 1-1/4"
45	04030-02	Lockwasher, 1/4" Spring
46	04060-09	Roll Pin, Spring 3/16 x 3/4"
47	*425659	Screen Guard, Kohler Engine
	*425662	Screen Guard, BVAC Engine

* Air Cooled Models Only.

** Available through the individual engine manufacturer.

STT FUEL SYSTEM

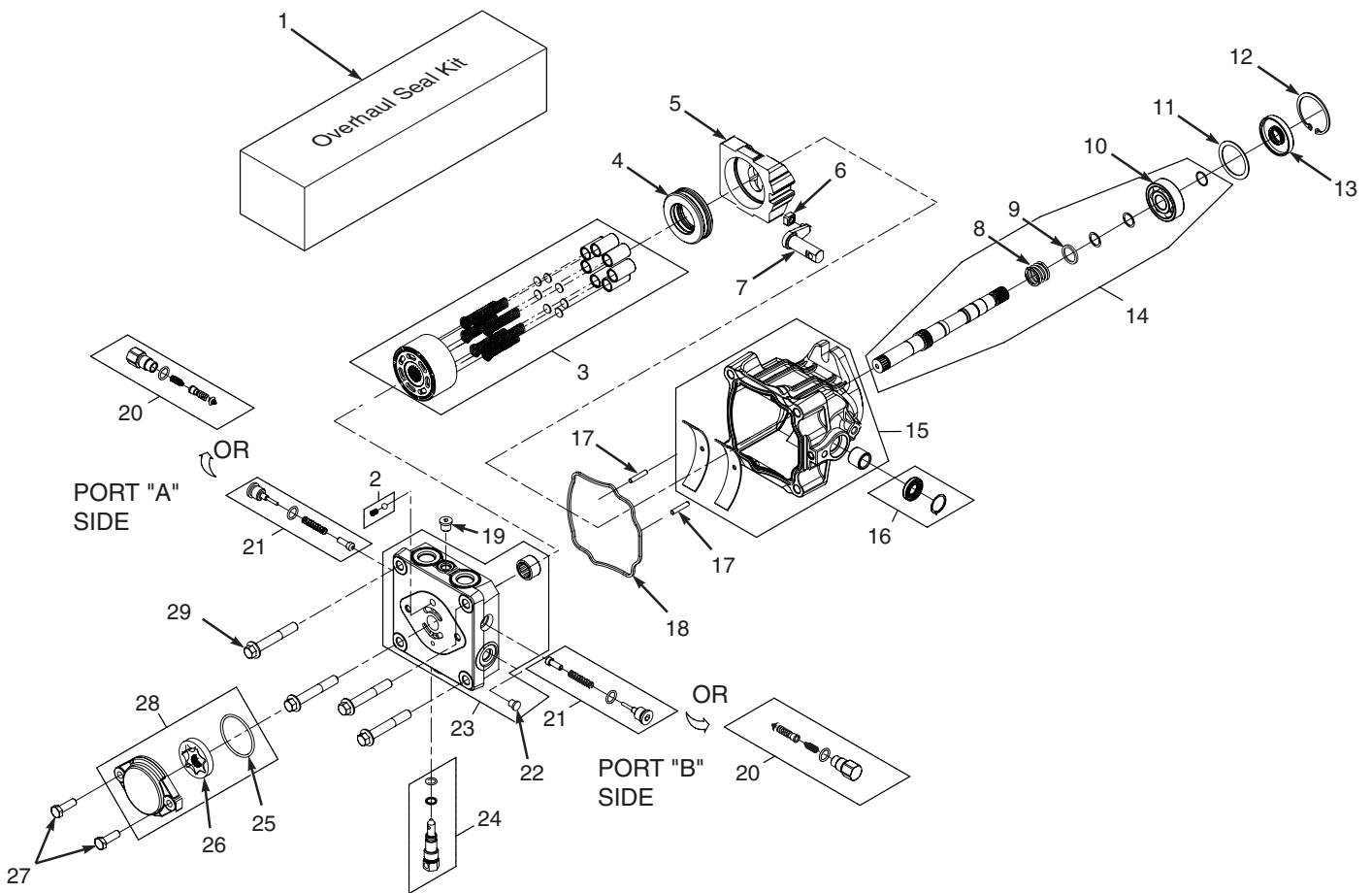


STT FUEL SYSTEM

Ref. No.	Part No.	Description
1	484251	Fuel Gauge Assembly
2	484242	Seal, Fuel Gauge
3	484286	Fuel Cap, Tethered
	484297	Fuel Cap w/Tethered - California Models Only (not shown)
4	04003-02	Bolt, Carriage 1/4-20 x 3/4"
5	462384	Fuel Tank Assembly, Low Perm. - STT (incl. # 1, 2, 8, 9, 30, 31)
	462385	Fuel Tank Assembly, Low Perm. - STT-DFI (incl. # 1, 2, 8, 9, 16, 30, 31)
6	425517	Support Bracket, Fuel Tank
7	04019-02	Nut, 1/4-20 Serrated Flange
8	482571	Bushing, .56 Dia. Viton
9	483749	Hose Fitting
10	48059-04	Clamp, Fuel Hose 5/16" I.D. (791DFI)
11	483620	Fuel Hose, 5/16" I.D. Non-Perm (791DFI) - Order by Inch
12	481308	Valve, Fuel Shut-Off (791DFI)
13	48136-05	Clamp, .87" Max. Dia
14	483622	Fuel Hose, 1/2" I.D. Non-Perm - Order by Inch
15	483617	Fuel Hose, 1/4" I.D. Non-Perm (791DFI Fuel Return) - Order by Inch
16	482703	Return Fitting, Straight
17	484279-02	Tube, Fuel Tank Insert - 6"
18	48059-05	Clamp, Vapor Recovery Hose 3/16"
19	48059-02	Clamp, Fuel Hose 7/32 ID
20	484342	Carbon Canister
21	04003-02	Bolt, Carriage 1/4-20 x 3/4"
22	48030-22	Clamp
23	04040-03	Flatwasher, 1/4-.281 x .562 x .049
24	04021-08	Nut, 1/4-20 Elastic Stop
25	04019-02	Nut, 1/4-20 Serrated Flange
26	425496	Bracket, RH Canister Mounting
27	48136-17	Clamp
28	484345	Hose, 3/16 (order by inch)
29	484343-01	Mender, 1/4 x 3/16 w/.02 Hole
30	484284	Valve, Rollover
31	484284	Grommet, Viton

* = Available through engine manufacturer only.

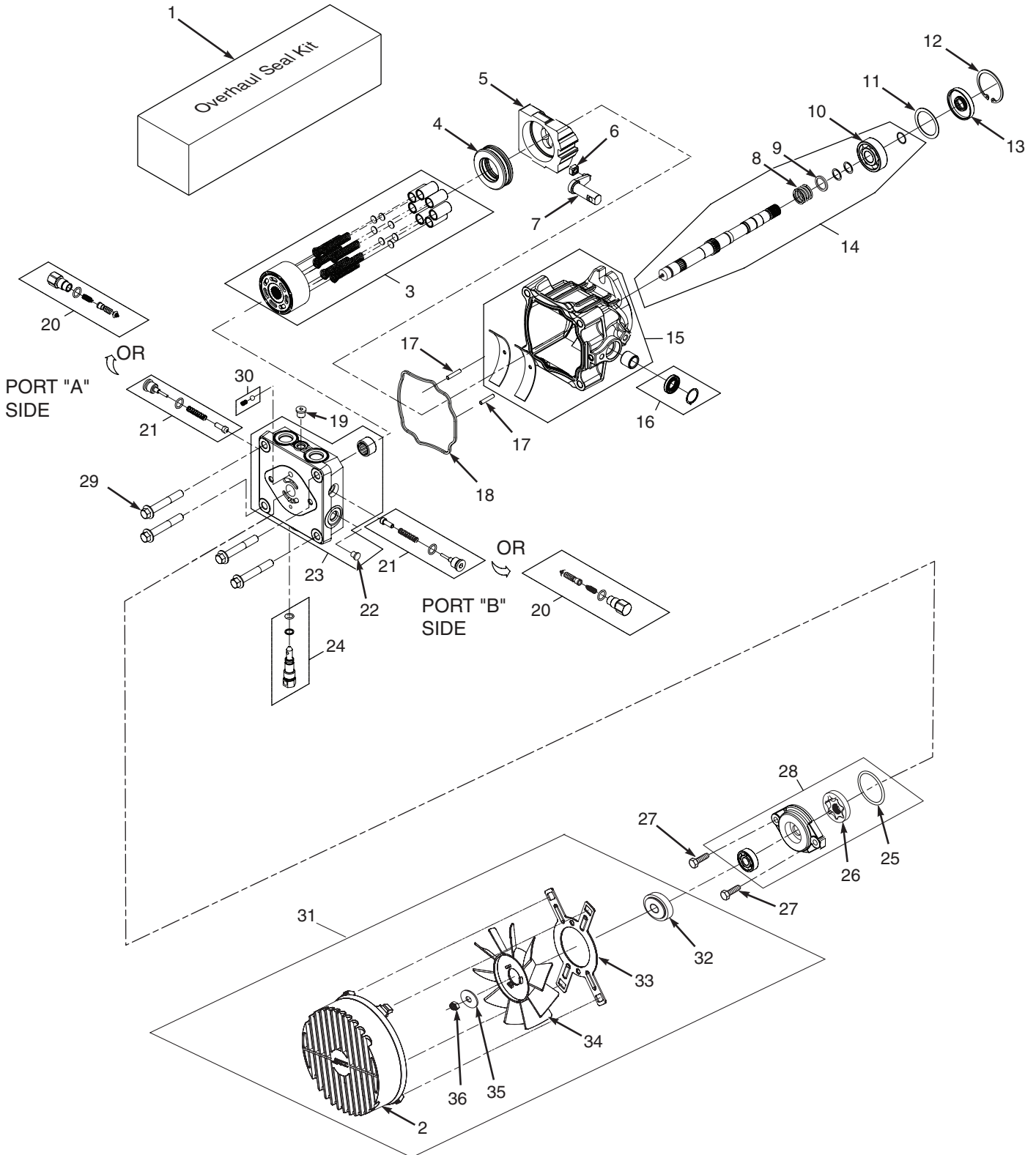
BDP-16A HYDRAULIC PUMP ASSEMBLY



BDP-16A HYDRAULIC PUMP ASSEMBLY

Ref. No.	Part No.	Description
1	HG70740	Overhaul Seal Kit
2	HG70402	Charge Relief Kit
3	HG72158	Cylinder Block Kit - 16cc
4	HG51462	Thrust Ball Bearing Assembly
5	HG51436	Variable Swashplate
6	HG2000015	Slot Guide
7	HG2000014	Trunnion Arm
8	HG2000025	Block Spring
9	HG2000024	Block Thrust Washer
10	HG2000032	Shaft Ball Bearing
11	HG2000023	Spacer
12	HG2000038	Retaining Ring
13	HG51092	Seal
14	HG70581	Kit, Pump Shaft
15	HG70738	Housing Kit
16	HG70739	Trunnion Seal Kit
17	HG50641	Pin
18	HG51437	O-Ring
19	HG9005110-7500	Straight Thread Plug
20	HG70743	Shock Valve Kit (.031 Orifice)
21	HG70742	Shock Valve Kit (.024 Orifice)
22	HG9005200-7500	Straight Thread Plug
23	HG70736	End Cap Kit
24	HG2513030	Bypass Valve Kit
25	HG9004100-1430	O-Ring
26	HG50406	Gerotor Assembly (.19 cu.in./rev.)
27	HG50173	Socket Head Cap Screw (M8 x 1.25-25mm)
28	HG2510071	Charge Pump Kit (.19 STD. Splined)
29	HG51457	Hex Screw, Flanged Head (M10 x 1.50-65mm)

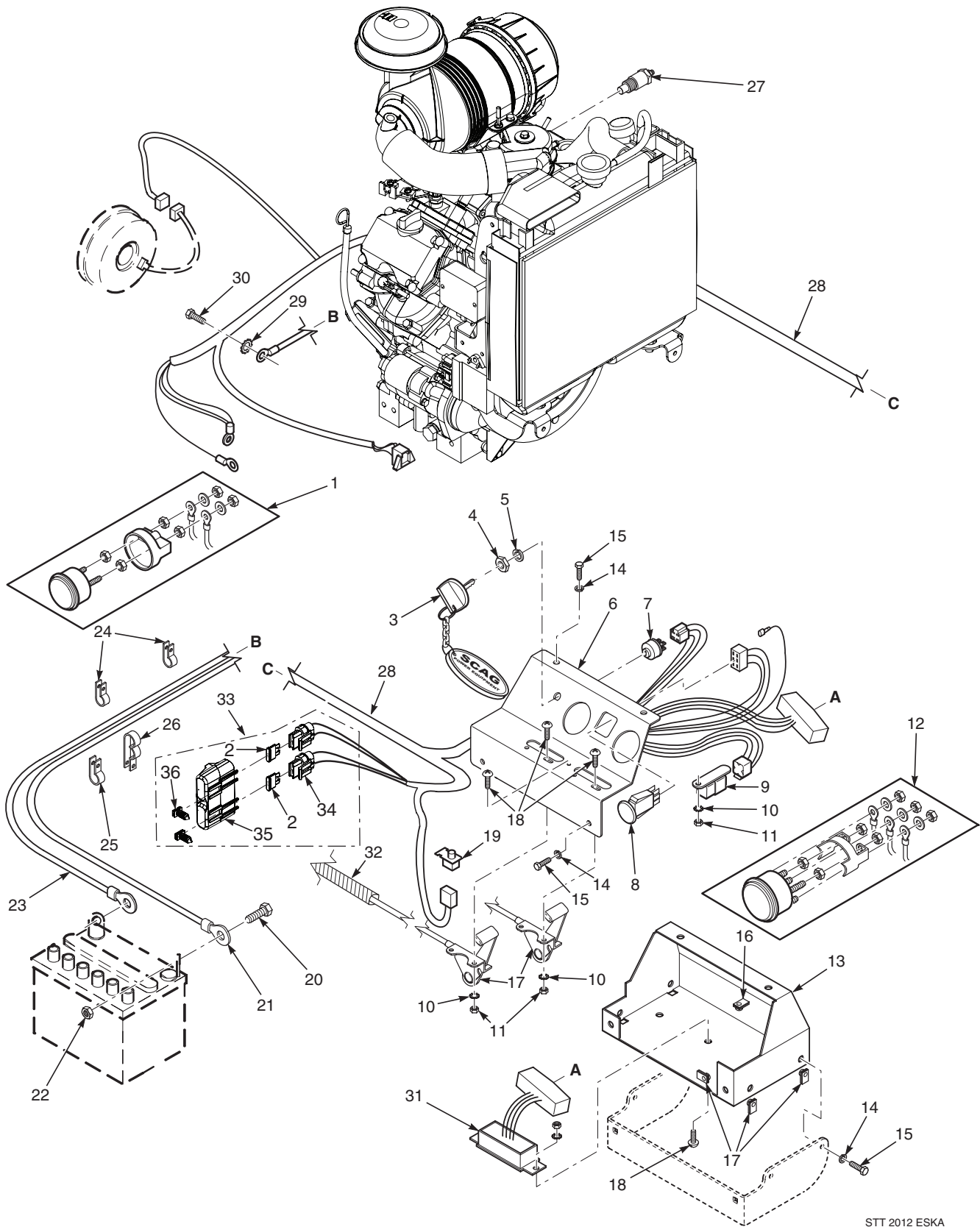
BDP-16A HYDRAULIC PUMP ASSEMBLY with COOLING FAN (26DFI & 35BVAC)



**BDP-16A HYDRAULIC PUMP ASSEMBLY with COOLING FAN
(26DFI & 35BVAC)**

Ref. No.	Part No.	Description
1	HG70740	Overhaul Seal Kit
2	HG52059	Shroud
3	HG72158	Cylinder Block Kit - 16cc
4	HG51462	Thrust Ball Bearing Assembly
5	HG51436	Variable Swashplate
6	HG2000015	Slot Guide
7	HG2000014	Trunnion Arm
8	HG2000025	Block Spring
9	HG2000024	Block Thrust Washer
10	HG2000032	Shaft Ball Bearing
11	HG2000023	Spacer
12	HG2000038	Retaining Ring
13	HG51092	Seal
14	HG70578	Kit, Pump Shaft (keyed thru taper)
15	HG70738	Housing Kit
16	HG70739	Trunnion Seal Kit
17	HG50641	Pin
18	HG51437	O-Ring
19	HG9005110-7500	Straight Thread Plug
20	HG70743	Shock Valve Kit (.031 Orifice)
21	HG70742	Shock Valve Kit (.024 Orifice)
22	HG9005200-7500	Straight Thread Plug
23	HG70736	End Cap Kit
24	HG2513030	Bypass Valve Kit
25	HG9004100-1430	O-Ring
26	HG50406	Gerotor Assembly (.19 cu.in./rev.)
27	HG50173	Socket Head Cap Screw (M8 x 1.25-25mm)
28	HG70924	Charge Pump Kit (.19 STD. Splined)
29	HG51457	Hex Screw, Flanged Head (M10 x 1.50-65mm)
30	HG70402	Charge Relief Kit
31	HG71287	Fan Kit (incl. items 32, 34, 35, 36)
32	HG51348	Hub
33	HG52016	Bracket, Shroud
34	HG52014	Fan
35	HG52256	Washer
36	HG44809	Nut

ELECTRICAL SYSTEM - 25KA - KAWASAKI



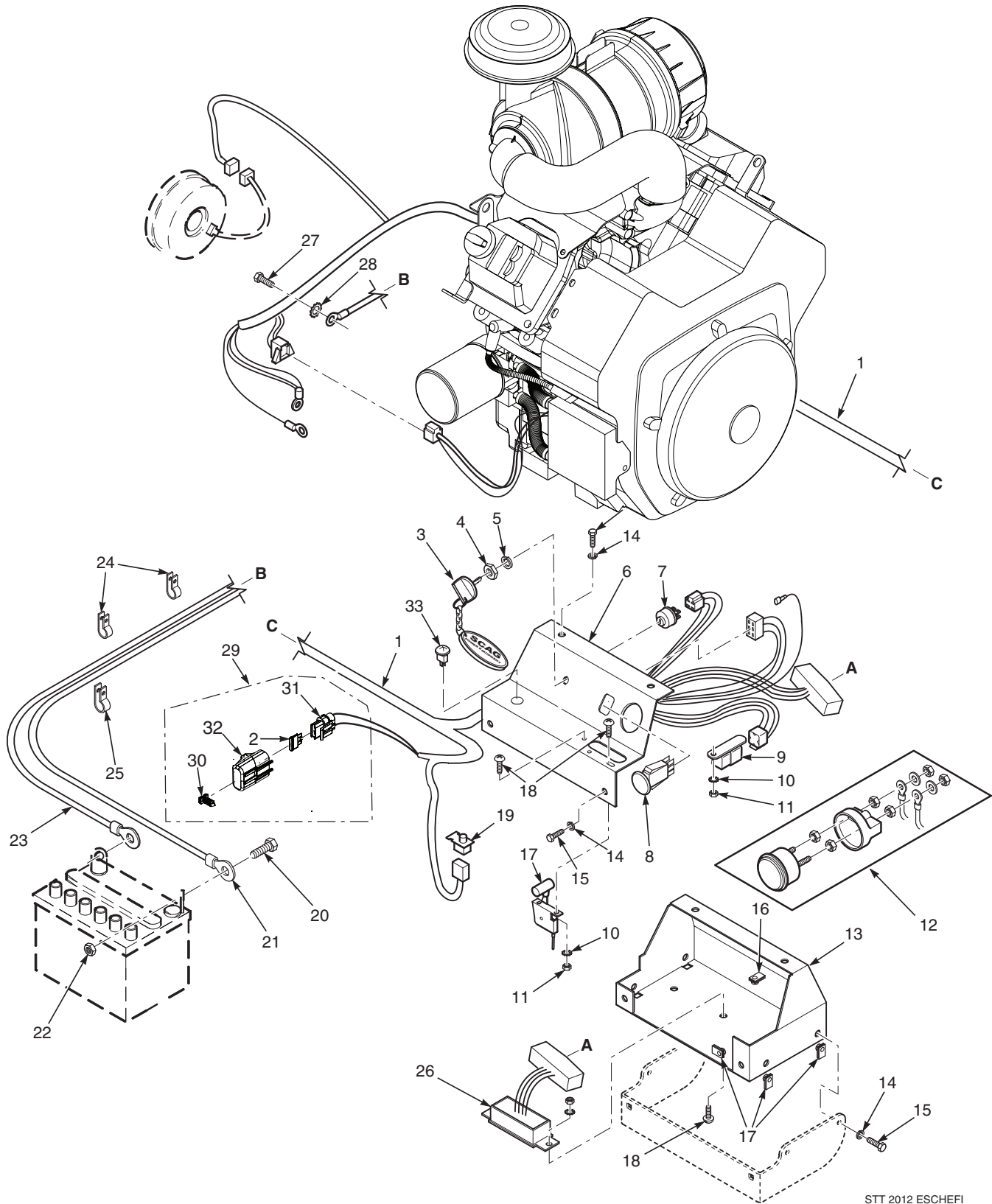
STT 2012 ESKA

ELECTRICAL SYSTEM - 25KA - KAWASAKI

Ref. No.	Part No.	Description
1	481755	Ammeter
2	48298	Fuse, 20 AMP
3	483366	Key, Ignition
	462069	Key Assembly w/Fob
4	48017-04	Nut, Hex 5/8-32
5	48017-03	Lockwasher, 5/8" Internal
6	461916	Instrument Panel, Top w/Decals
7	48798	Key Switch
8	483957	Switch, PTO
9	483013	Relay
10	04031-01	Lockwasher, #10 External Tooth
11	04020-01	Nut, Hex #10-32
12	481183	Water Temp. Gauge
13	451879	Base, Instrument Panel
14	04030-02	Lockwasher, 1/4"
15	04001-01	Bolt, Hex Head 1/4-20 x 3/4"
16	04110-01	U-Nut, 1/4-20
17	481662	Throttle And Choke Controls
18	04010-01	Screw, Phillips Washer Head #10-32 x 1/2"
19	481638	Switch, Interlock-Seat
20	04001-44	Bolt, Hex Head 1/4-20 x 1/2"
21	48029-06	Cable, Battery - Red
22	04020-02	Nut, Hex 1/4-20
23	48029-11	Cable, Battery - Black
24	48030-09	Clamp, Cable 1/2" ID.
25	48136-05	Clamp, Cable 3/4" ID.
26	48030-11	Clamp, Cable
27	481670	Sending Unit, Water Temp.
28	484656	Wire Harness, STT Kawasaki Liquid-Cooled
29	04031-03	Lockwasher, 5/16" External Tooth
30	04002-12	Bolt, Hex Head M8-1.25 x 20mm
31	483599	Electronic Module
32	481945-01	Heatshield, Flexible
33	483642	Double Fuse Assembly, Sealed (Incl. items 2, 42, 43, 44)
34	483629	Fuse Holder
35	483571	Cover, Sealed Double
36	482588	Clip, Wire

** Available through the individual engine manufacturer.

ELECTRICAL SYSTEM - 26CH-EFI - KOHLER



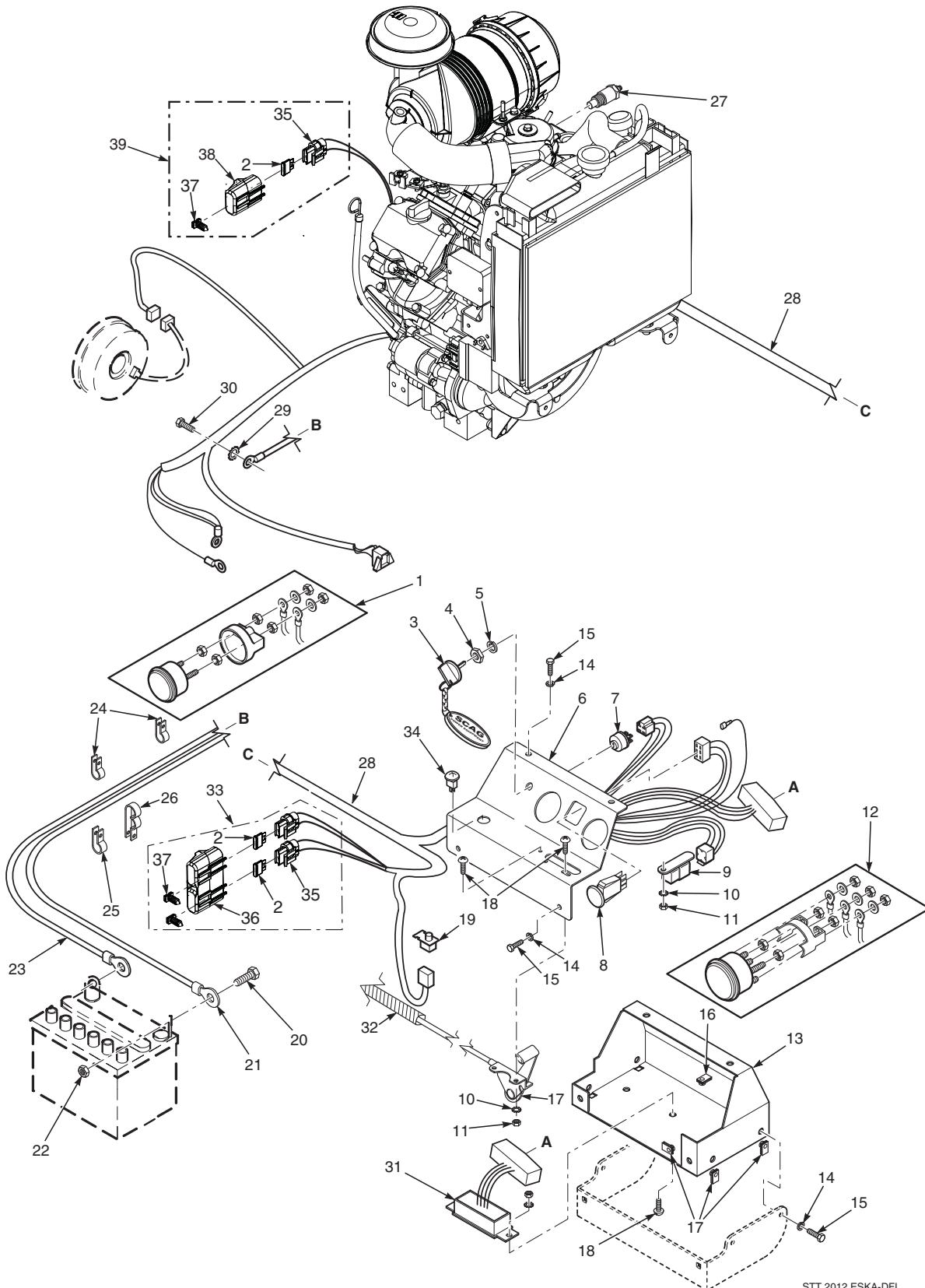
STT 2012 ESCHEFI

ELECTRICAL SYSTEM - 26CH-EFI - KOHLER

Ref. No.	Part No.	Description
1	484655	Wire Harness, STT 26CH-EFI Air-Cooled
2	48298	Fuse, 20 AMP
3	483366	Key, Ignition
	462069	Key Assembly w/Fob
4	48017-04	Nut, Hex 5/8-32
5	48017-03	Lockwasher, 5/8" Internal
6	461916	Instrument Panel, Top w/Decals
7	48798	Key Switch
8	483957	Switch, PTO
9	483013	Relay
10	04031-01	Lockwasher, #10 External Tooth
11	04020-01	Nut, Hex #10-32
12	481184	Volt Meter
13	451879	Base, Instrument Panel
14	04030-02	Lockwasher, 1/4"
15	04001-01	Bolt, Hex Head 1/4-20 x 3/4"
16	04110-01	U-Nut, 1/4-20
17	481544	Throttle And Choke Controls (Kohler)
18	04010-01	Screw, Phillips Washer Head #10-32 x 1/2"
19	481638	Switch, Interlock-Seat
20	04001-44	Bolt, Hex Head 1/4-20 x 1/2"
21	48029-22	Cable, Battery - Red
22	04020-02	Nut, Hex 1/4-20
23	48029-11	Cable, Battery - Black
24	48030-09	Clamp, Cable 1/2" ID.
25	48136-05	Clamp, Cable 3/4" ID.
26	483599	Electronic Module
27	04002-12	Bolt, Hex Head M8-1.25 x 20mm
28	04031-03	Lockwasher, 5/16" External Tooth
29	483642	Double Fuse Assembly, Sealed (Incl. items 2, 42, 43, 44)
30	482588	Clip, Wire
31	483629	Fuse Holder
32	483643	Cover, Sealed Single
33	481182	Indicator Light

** Available through the individual engine manufacturer.

ELECTRICAL SYSTEM - 26DFI - KAWASAKI

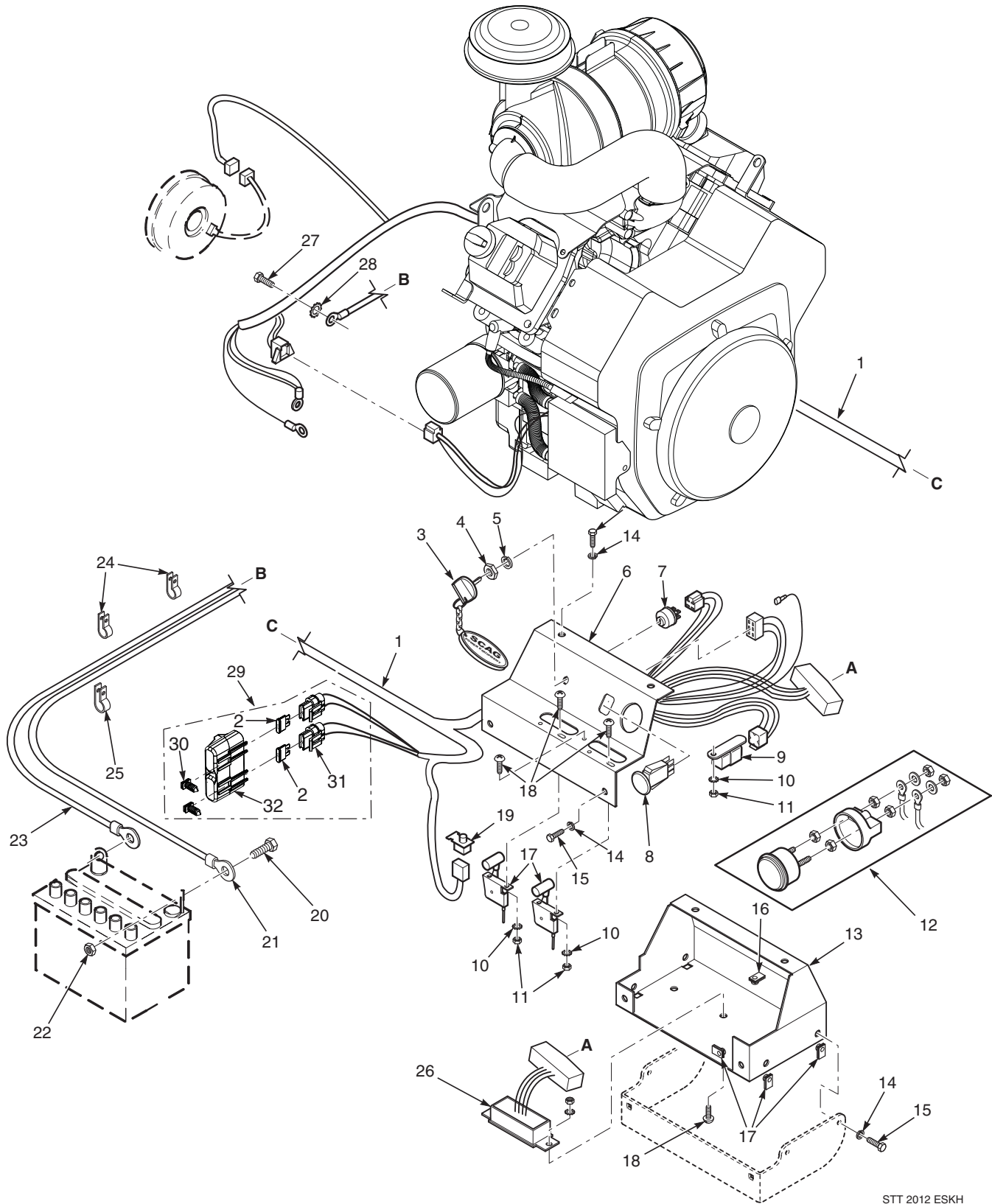


STT 2012 ESKA-DFI

ELECTRICAL SYSTEM - 26DFI - KAWASAKI

Ref. No.	Part No.	Description
1	481755	Ammeter
2	48298	Fuse, 20 AMP
3	483366	Key, Ignition
	462069	Key Assembly w/Fob
4	48017-04	Nut, Hex 5/8-32
5	48017-03	Lockwasher, 5/8" Internal
6	461916	Instrument Panel, Top w/Decals
7	48798	Key Switch
8	483957	Switch, PTO
9	48788	Relay
10	04031-01	Lockwasher, #10 External Tooth
11	04020-01	Nut, Hex #10-32
12	481183	Water Temp. Gauge (STT - KA Only)
13	451879	Base, Instrument Panel
14	04030-02	Lockwasher, 1/4"
15	04001-01	Bolt, Hex Head 1/4-20 x 3/4"
16	04110-01	U-Nut, 1/4-20
17	481662	Throttle Controls
18	04010-01	Screw, Phillips Washer Head #10-32 x 1/2"
19	481638	Switch, Interlock-Seat
20	04001-44	Bolt, Hex Head 1/4-20 x 1/2"
21	48029-06	Cable, Battery - Red
22	04020-02	Nut, Hex 1/4-20
23	48029-11	Cable, Battery - Black
24	48030-09	Clamp, Cable 1/2" ID.
25	48136-05	Clamp, Cable 3/4" ID.
26	48030-11	Clamp, Cable
27	481670	Sending Unit, Water Temp.
28	484657	Wire Harness, STT Liquid-Cooled Digital Fuel Injection (DFI)
29	04031-03	Lockwasher, 5/16" External Tooth
30	04002-12	Bolt, Hex Head M8-1.25 x 20mm
31	483599	Electronic Module
32	481945-01	Heatshield, Flexible
33	483642	Double Fuse Assembly, Sealed (Incl. items 2, 42, 43, 44)
34	481182	Indicator Light, Check Engine
35	483629	Fuse Holder
36	483571	Cover, Sealed Double
37	482588	Clip, Wire
38	483643	Cover, Sealed Single
39	483641	Single Fuse Assembly, Sealed (Incl. items 2, 35, 37, 38)

ELECTRICAL SYSTEM - 35BVAC - BRIGGS & STRATTON



STT 2012 ESKH

ELECTRICAL SYSTEM - 35BVAC - BRIGGS & STRATTON

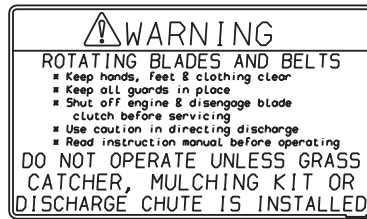
Ref. No.	Part No.	Description
1	484654	Wire Harness, Briggs & Stratton
	482849	Wire Harness Adapter Briggs & Stratton (not shown)
2	48298	Fuse, 20 AMP
3	483366	Key, Ignition
	462069	Key Assembly w/Fob
4	48017-04	Nut, Hex 5/8-32
5	48017-03	Lockwasher, 5/8" Internal
6	461916	Instrument Panel, Top w/Decals
7	48798	Key Switch
8	483957	Switch, PTO
9	483013	Relay
10	04031-01	Lockwasher, #10 External Tooth
11	04020-01	Nut, Hex #10-32
12	481755	Ammeter
13	451879	Base, Instrument Panel
14	04030-02	Lockwasher, 1/4"
15	04001-01	Bolt, Hex Head 1/4-20 x 3/4"
16	04110-01	U-Nut, 1/4-20
17	481662	Throttle And Choke Controls (35BVAC Briggs & Stratton)
18	04010-01	Screw, Phillips Washer Head #10-32 x 1/2"
19	481638	Switch, Interlock-Seat
20	04001-44	Bolt, Hex Head 1/4-20 x 1/2"
21	48029-22	Cable, Battery - Red
22	04020-02	Nut, Hex 1/4-20
23	48029-11	Cable, Battery - Black
24	48030-09	Clamp, Cable 1/2" ID.
25	48136-05	Clamp, Cable 3/4" ID.
26	483599	Electronic Module
27	04002-12	Bolt, Hex Head M8-1.25 x 20mm
28	04031-03	Lockwasher, 5/16" External Tooth
29	483642	Double Fuse Assembly, Sealed (Incl. items 2, 42, 43, 44)
30	482588	Clip, Wire
31	483629	Fuse Holder
32	483571	Cover, Sealed Double

** Available through the individual engine manufacturer.

REPLACEMENT DECALS AND INFORMATION PLATES



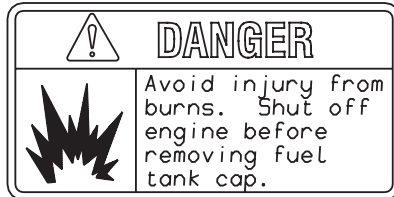
1



2



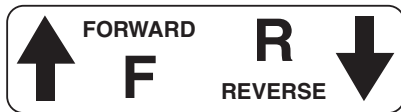
8



4



3



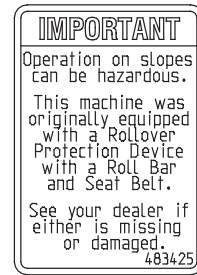
481568

6



481971

7

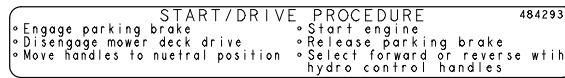


483425

25

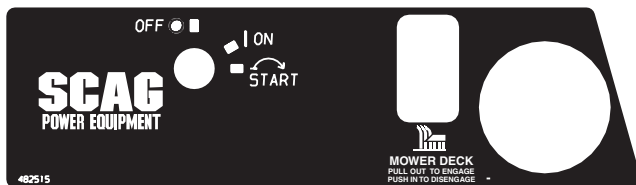


9



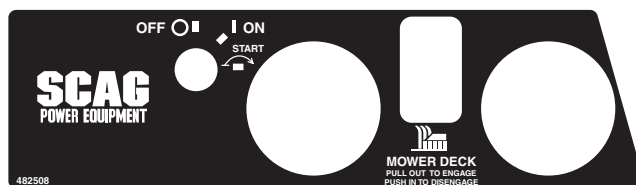
484293

5



482515

10



482508

11



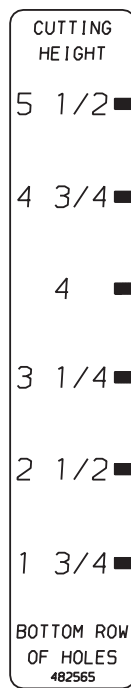
482983

12



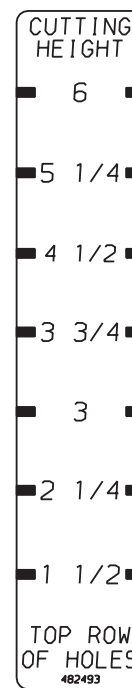
482984

23



482565

13



482493

22

REPLACEMENT DECALS AND INFORMATION PLATES

Ref. No.	Part No.	Description
1	483192	Decal, Danger - Spinning Blades
2	483406	Decal, Warning - Rotating Blades
3	483200	Decal, 52 Velocity Plus
	483201	Decal, 61 Velocity Plus
	481956	Decal, 72 Advantage
	483693	Decal, 72 Velocity Plus
4	483397	Decal, Fuel Tank
5	484293	Decal, Start / Drive
6	481568	Decal, Traction Control
7	481971	Decal, Heavy-Duty Commercial
8	48404	Decal, Metalcraft-Made In USA
9	483402	Decal, Belt Cover
10	482515	Decal, Instrument Panel - Upper (Air-Cooled)
11	482508	Decal, Instrument Panel - Upper (Kawasaki)
12	482983	Decal, Instrument Panel-Lower
13	482565	Decal, Cutting Height - Lower
14	484321	Decal, Fuel Tank Warning
15	484320	Decal, STT Adjustments
16	482577	Decal, Turf Tiger
17	483229	Decal, Turf Tiger
18	481664	Decal, Stripes-RH
19	481663	Decal, Stripes-LH
20	481694	Decal, Tiger
21	483405	Decal, Warning
22	482493	Decal, Cutting Height - Upper
23	482984	Decal, Instrument Panel - Lower (DFI & EFI only)
24	4483633	Decal, Seat Replacement
25	483425	Decal, ROPS
**	483900	Decal, Warning Spark Arrestor (California Models Only - not shown)
**	461982	Spanish Decal Kit, STT (not shown)
**	01411	DVD Video, Tips for Safe Operation of Your Scag Zero-Turn Mower (not shown)

IMPORTANT ADJUSTMENT PROCEDURES
READ OPERATORS MANUAL FOR MORE DETAILS
Check tire pressure - (Drive tires-12 psi, Caster tires-Flat Free)

HYDRAULIC FLUID LEVEL
Check hydraulic fluid level while fluid is cool. Fluid level should be 3" below top of filler neck. Fill with SAE 20w50 motor oil only.

IMPORTANT
Do not overfill. Room for hot fluid expansion must be allowed or resulting expansion may cause leaks in the system.

484320

NEUTRAL ADJUSTMENT
Loosen jam nuts
Rotate turnbuckle
With an operator in the seat, engine running, control levers in neutral and the parking brake disengaged - adjust control linkage. Loosen jam nuts. If wheel rotates forward, adjust turnbuckle CCW. If wheel rotates rearward, adjust turnbuckle CW. Adjust until drive wheel stops turning. Tighten jam nuts. Repeat for opposite side.

TRACKING ADJUSTMENT
If the machine pulls to the right, adjust LH control linkage CCW to slow left wheel. If the machine pulls to the left, adjust RH control linkage CCW to slow right wheel. Readjust neutral if necessary.

FREE WHEEL OPERATION
To move machine without running the engine, rotate both dump valves located at the LH side of the pumps CCW 1/2 turn to "Freeheel" positions. Return dump valves to original position to operate the mower. Tighten to 7-10 ft-lbs.

15

WARNING

AVOID SERIOUS INJURY OR DEATH

- Read the Operators Manual
- Solicite asistencia en español a un distribuidor Scag
- Operate only on slopes you can back up & never on slopes greater than 15 degrees
- If machine stops going uphill, stop blades and back down slowly
- Avoid sudden turns
- Do not mow when children or others around
- Never carry children even with blades off
- Look down and behind before & while backing
- Keep safety devices (guards, shields, switches, etc.) in place and working
- Remove objects that could be thrown by the blades
- Trained operators only

484321

14



16



17

WARNING

DO NOT OPERATE WITHOUT DISCHARGE CHUTE, MULCHING KIT, OR ENTIRE GRASS CATCHER INSTALLED

21



20

WARNING

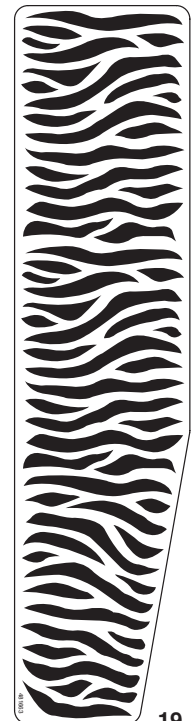
Replace seat only with Scag approved seat with seat mounting provisions and Scag approved seat belts.

Failure to follow these directions could result in injury or death in the event of a rollover.

24

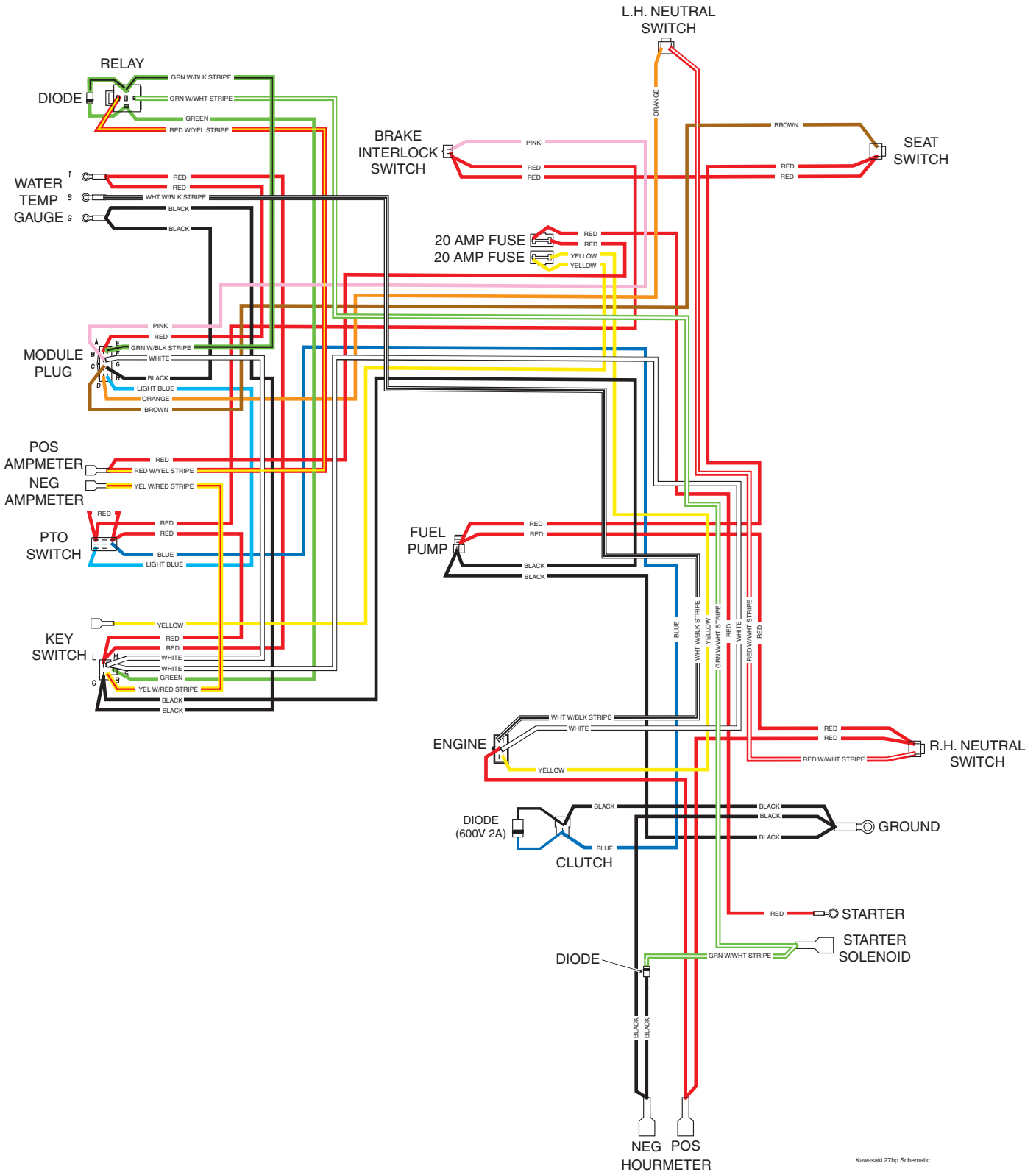


18



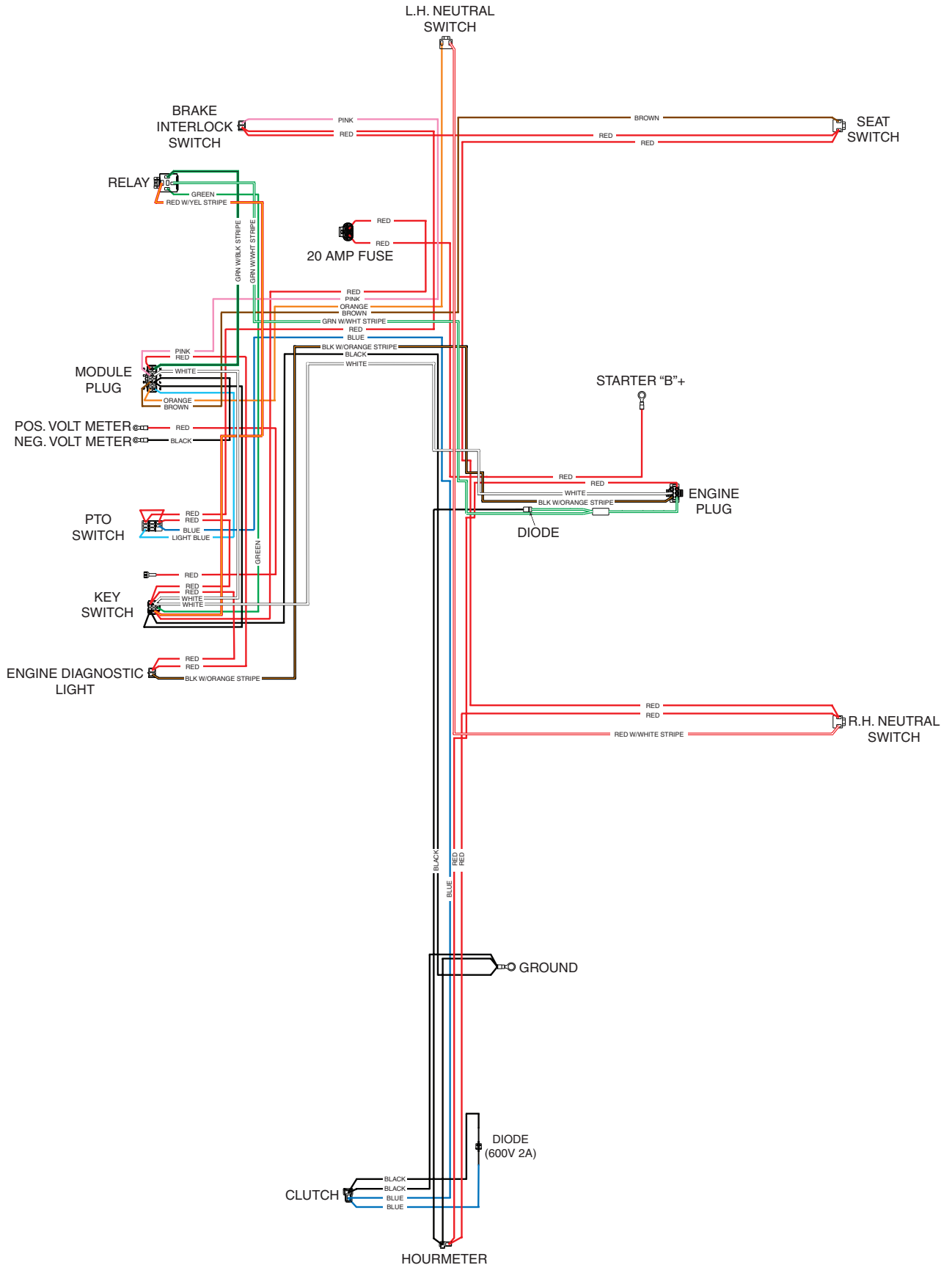
19

STT ELECTRICAL SCHEMATIC (25KA - KAWASAKI)

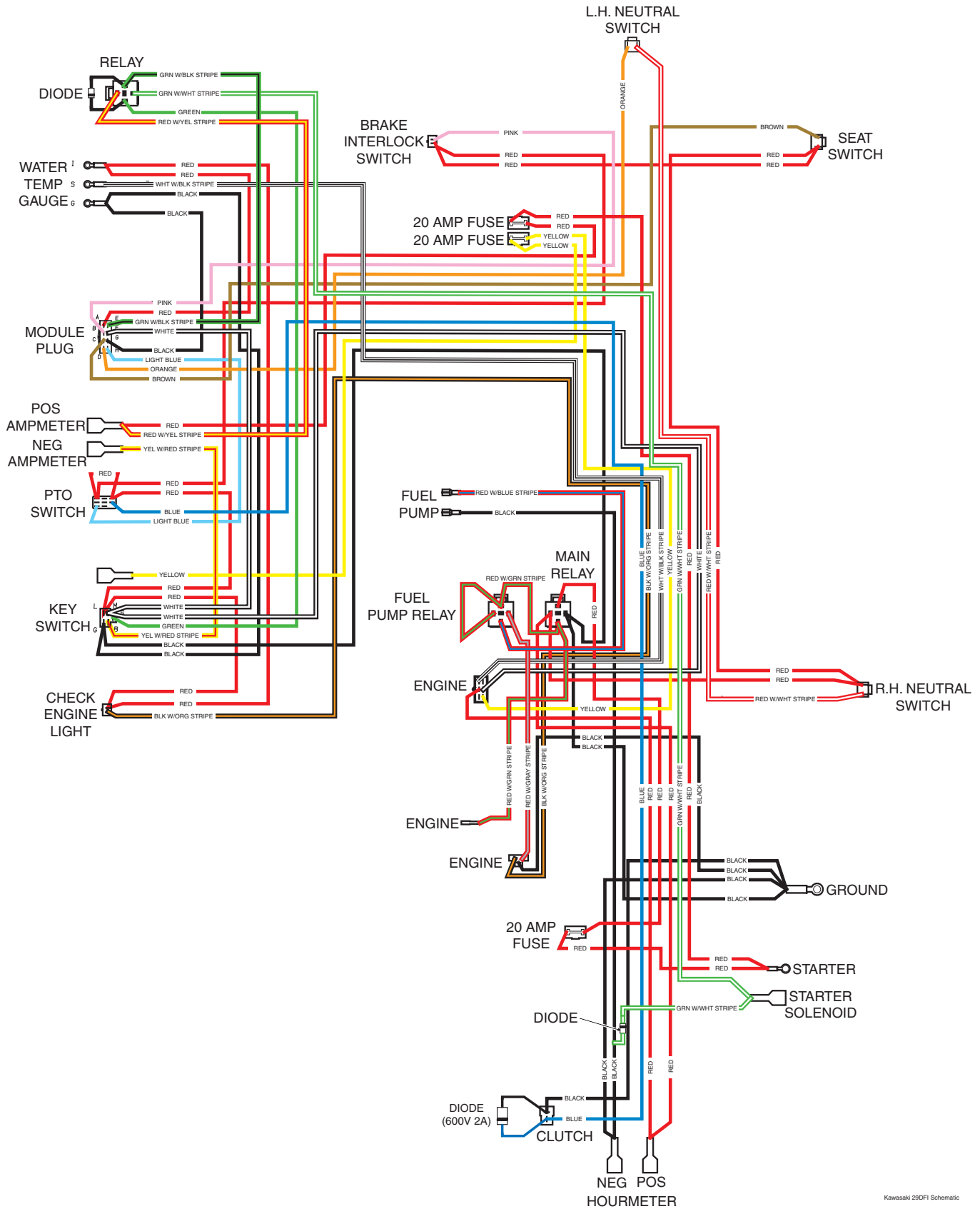


Kawasaki 27hp Schematic

STT ELECTRICAL SCHEMATIC (26CH-EFI - KOHLER)



ELECTRICAL SCHEMATIC (26DFI - KAWASAKI)



Kawasaki 29DFI Schematic

STT ELECTRICAL SCHEMATIC (35BVAC Briggs & Stratton)

