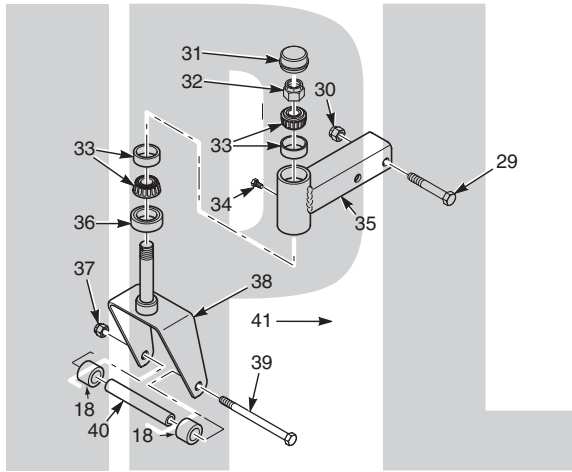


SCAG[®]

POWER EQUIPMENT



ILLUSTRATED PARTS MANUAL



Model STT-31EFI Turf Tiger

THIS MANUAL CONTAINS THE ILLUSTRATED PARTS LIST FOR MODELS:

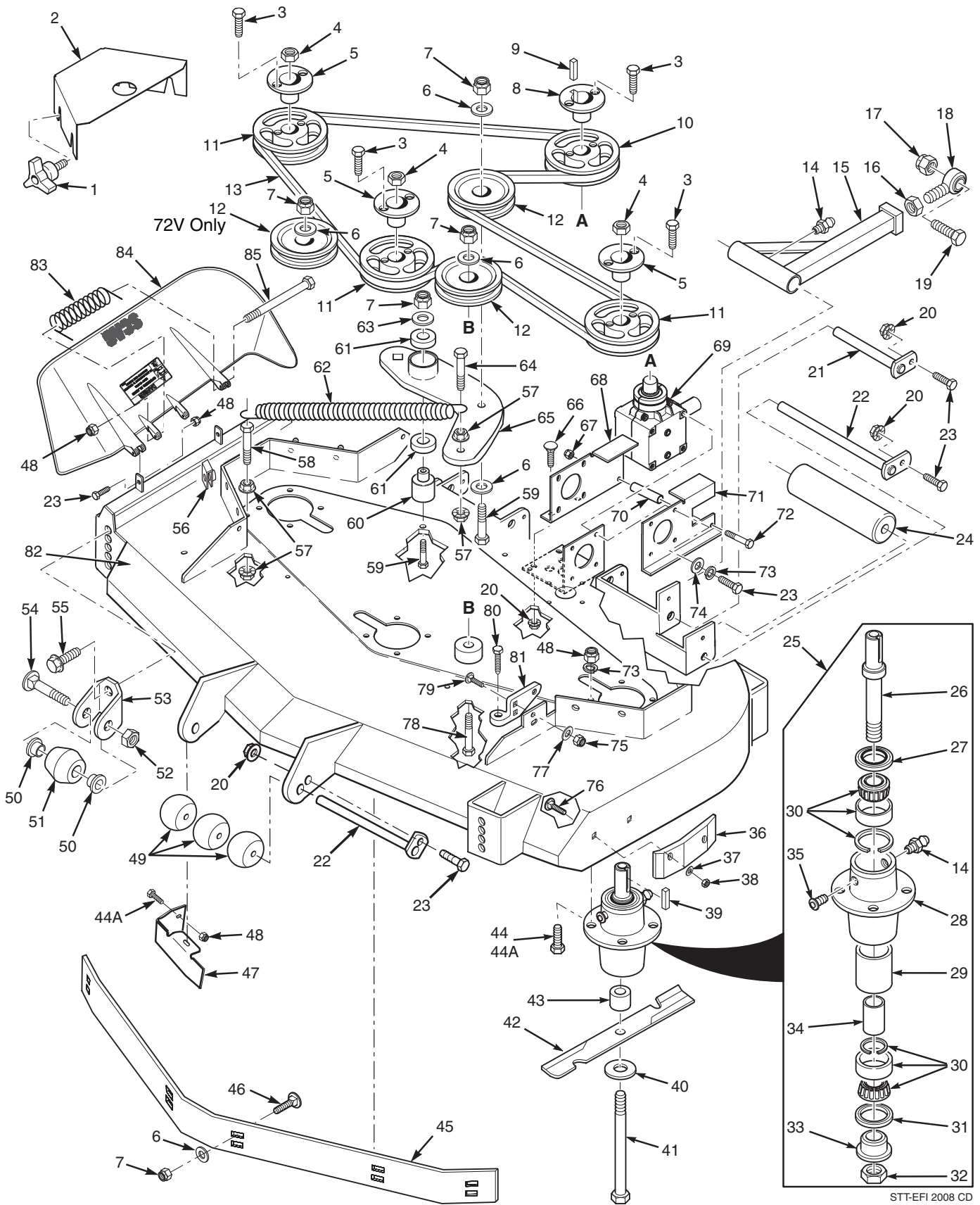
**STT61V-31EFI-SS
STT-31EFI-SS**

**with a serial number of F6100001 to F6199999
with a serial number of F6600001 to F6699999**

Table of Contents

61V & 72VS CUTTER DECKS	2
CUTTER DECK CONTROLS	4
SHEET METAL COMPONENTS	6
STT ROLL-OVER PROTECTION SYSTEM	8
STT SUSPENSION SEAT	10
DECK DRIVE COMPONENTS	12
ENGINE & ATTACHING PARTS - 31HP-EFI KOHLER	14
BRAKE AND STEERING COMPONENTS	16
STT HYDRAULIC SYSTEM	18
STT-31EFI FUEL SYSTEM - EPA PHASE 3	20
BDP-16A HYDRAULIC PUMP ASSEMBLY WITH COOLING FAN	22
ELECTRICAL SYSTEM (31HP-EFI KOHLER)	24
STT REPLACEMENT DECALS AND INFORMATION PLATES - ALL MODELS	26
ELECTRICAL SCHEMATIC (KOHLER 31HP - EFI)	28

61V & 72VS CUTTER DECKS



STT-EFI 2008 CD

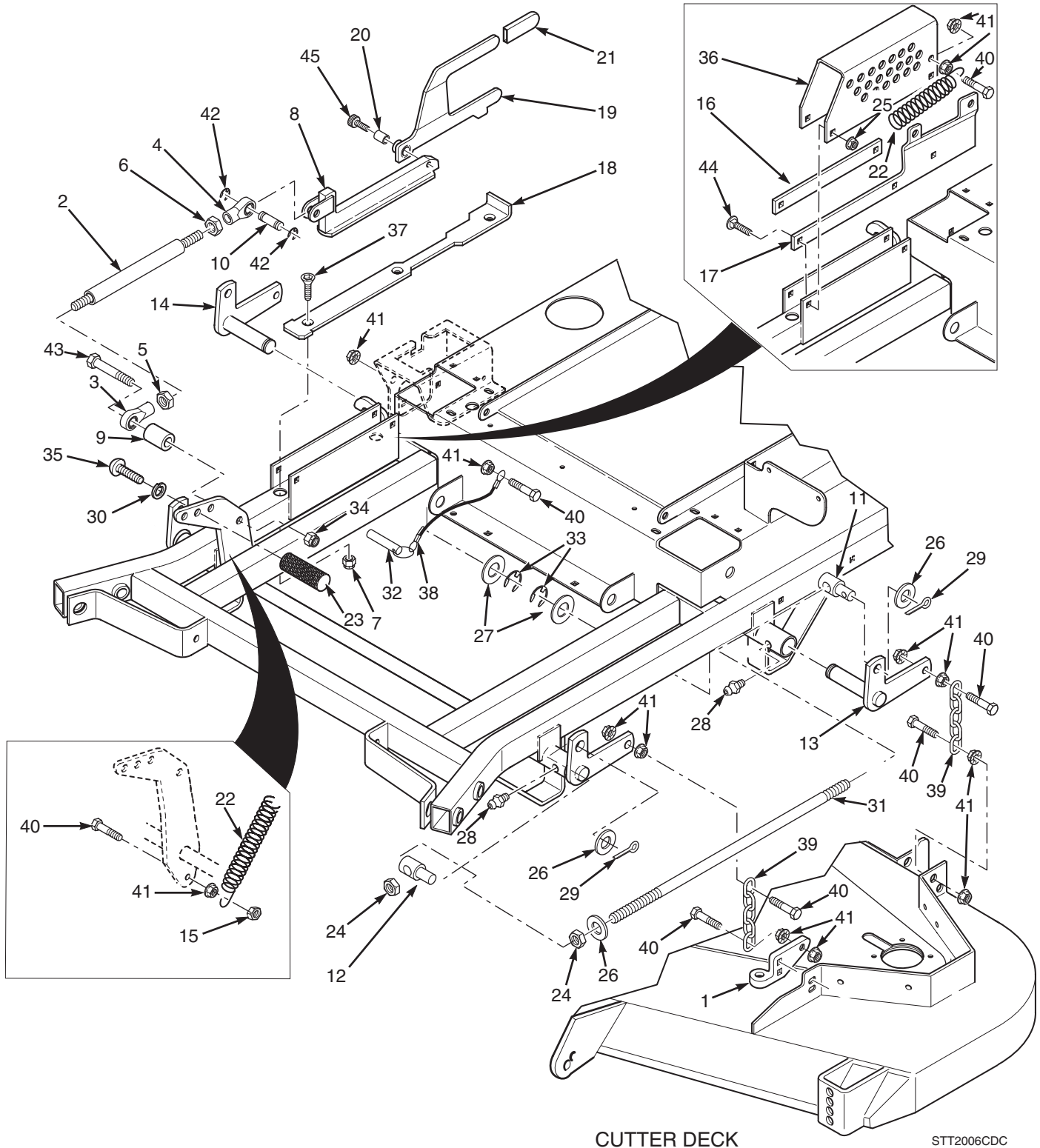
Section 8

61V & 72VS CUTTER DECKS

Ref. No.	Part No.	Description	61	72
1	481625-01	Wing Nut, 3/8-16	X	X
2	424325	Belt Cover	X	
	422708	Belt Cover RH		X
	422677	Belt Cover LH		X
3	04001-172	Bolt, Hex Head 1/4-20 x 1" Grd 8	X	X
4	04020-09	Nut, 5/8-11 UNC	X	X
5	48926	Tapered Hub, 1-1/8" Bore	X	X
6	04041-07	Flatwasher, 3/8" (.391 x .938 x .105)	X	X
7	04021-09	Nut, Hex Elastic Stop 3/8-16	X	X
8	48141	Tapered Hub, 1" Bore	X	X
9	04063-0	Key, 1/4 x 1/4 x 1-1/4"	X	X
10	482746	Pulley, 6.75 O.D.	X	
	482745	Pulley, 6.35 O.D.		X
11	482745	Pulley, 6.35 O.D.	X	
	482747	Pulley, 6.95 O.D.		X
12	483215	Pulley, Idler	X	X
13	481558	Belt, Cutter Deck Drive	X	
	481980	Belt, Cutter Deck Drive		X
14	48114-04	Grease Fitting	X	X
15	461516	Pusharm (incl. items 14, 16, & 18)	X	X
16	04020-16	Nut, Hex Head 5/8-18 UNF	X	X
17	04021-13	Nut, Hex Elastic Stop 5/8-11	X	X
18	48763	Rod End, 5/8" Male RH Thread	X	X
19	04001-79	Bolt, Hex Head 5/8-11 x 4-1/2"	X	X
20	04019-03	Nut, Hex Serrated Flange 5/16-18	X	X
21	451240	Push Arm Shaft	X	X
22	45944	Roller Shaft	X	X
23	04001-12	Bolt, Hex Head 5/16-18 x 1-3/4"	X	X
24	48038	Wheel, Anti-Scalp	X	X
25	461663	Spindle Assembly	X	X
26	43589	Spindle Shaft	X	X
27	481024	Seal, Top	X	X
28	43644	Spindle Housing	X	X
29	43312	Spacer, Outside	X	X
30	481022	Bearing Assembly	X	X
31	481025	Seal, Bottom	X	X
32	481035	Nut, Special 1-1/16-18	X	X
33	43297	Spindle Bushing, Bottom	X	X
34	43296	Spacer, Inside	X	X
35	48677	Relief Fitting, Tapered Spindle	X	X
36	483176	Wear Pad	X	
	483174	Wear Pad		X
37	04040-04	Flatwasher, 5/16"	X	X
38	04021-04	Nut, Center Lock 5/16-18	X	X
39	04063-08	Key, 1/4 x 1/4 x 2"	X	X
40	04043-06	Flatwasher, 5/8" Hardened	X	X
41	04001-41	Bolt, Hex Head 5/8-11 x 9-1/2"	X	X
42	482879	Cutter Blade, 21"	X	
	482881	Cutter Blade, 21" (35BVAC)	X	
	482882	Cutter Blade, 24.5"		X
43	43590	Spacer, Spindle Bottom	X	X
44	04001-176	Bolt, Hex Head 5/16-18 x 1-3/4"	X	X

Ref. No.	Part No.	Description	61	72
45	424841	Baffle, Custom Cut 61V	X	
	424917	Baffle, Custom Cut 72V		X
46	04003-23	Bolt, Carriage 3/8-16 x 1"	X	X
47	424209	Discharge Baffle 61V	X	X
	424856	Discharge Baffle 72V	X	X
48	04021-22	Nut, Hex Elastic Stop 5/16-18 Grd 8	X	X
49	482295	Wheel, Anti-Scalp	X	X
50	48100-15	Bushing, .376 I.D. Oilite	X	X
51	481632	Anti-Scalp Wheel	X	X
52	04021-05	Locknut, 3/8-16 Center Lock	X	X
53	422478	Anti-Scalp Wheel Bracket	X	X
54	04003-26	Bolt, Carriage 3/8-16 x 4"	X	X
55	04017-27	Bolt, Hex Serrated Flange 3/8-16 x 1"	X	X
56	04110-03	U-Nut, 3/8-16	X	X
57	04019-04	Nut, Hex Serrated Flange 3/8-16	X	X
58	04001-20	Bolt, Hex Head 3/8-16 x 1-1/2"	X	X
59	04001-54	Bolt, Hex Head 3/8-16 x 3"	X	X
60	43503	Pivot, Idler - Short	X	X
61	48224	Bearings, Ball	X	X
62	483704	Spring, Cutter Deck	X	X
63	04043-04	Flatwasher, 3/8-.39 x .938 x .105 HD	X	X
64	04001-136	Bolt, Hex Head 3/8-16 x 1-1/2" Grd 8	X	X
65	461842	Idler Arm, Cutter Deck	X	X
66	04003-12	Bolt, Carriage 5/16-18 x 3/4"	X	X
67	04021-10	Nut, Elastic Stop 5/16-18	X	X
68	424798	Mounting Plate, RH Gearbox	X	X
69	482486	Gearbox Assembly, Deck Drive	X	X
70	43763	Spacer, Gearbox Mount	X	X
71	424799	Mounting Plate, LH Gearbox	X	X
72	04001-154	Bolt, Hex Head 5/16-18 x 4-3/4"	X	X
73	04030-03	Lockwasher, 5/16"	X	X
74	04040-15	Flatwasher, 5/16" (.375 x .875 x .083)	X	X
75	04021-11	Nut, Elastic Stop 7/16-14	X	X
76	04003-12	Bolt, Carriage 5/16-18 x 3/4"	X	X
77	04040-11	Flatwasher, 7/16-.500 x 1.25 x .083	X	X
78	04001-62	Bolt, Hex Head 3/8-16 x 3-1/4"	X	X
79	04003-40	Bolt, Carriage 7/16-14 x 1-1/4"	X	X
80	483167	Bolt, Deck Adjust	X	X
81	461929	Lever Assy, Deck Level (Incl. 80)	X	X
82	461863	Cutter Deck 61 V w/Decals	X	
	462144	Cutter Deck 72 V w/Decals		X
83	483378	Spring, Discharge Chute	X	X
84	461846	Discharge Chute 61V	X	
	462132	Discharge Chute 72V		X
85	04001-108	Bolt, Hex Head 5/16-18 x 4-1/2"	X	X

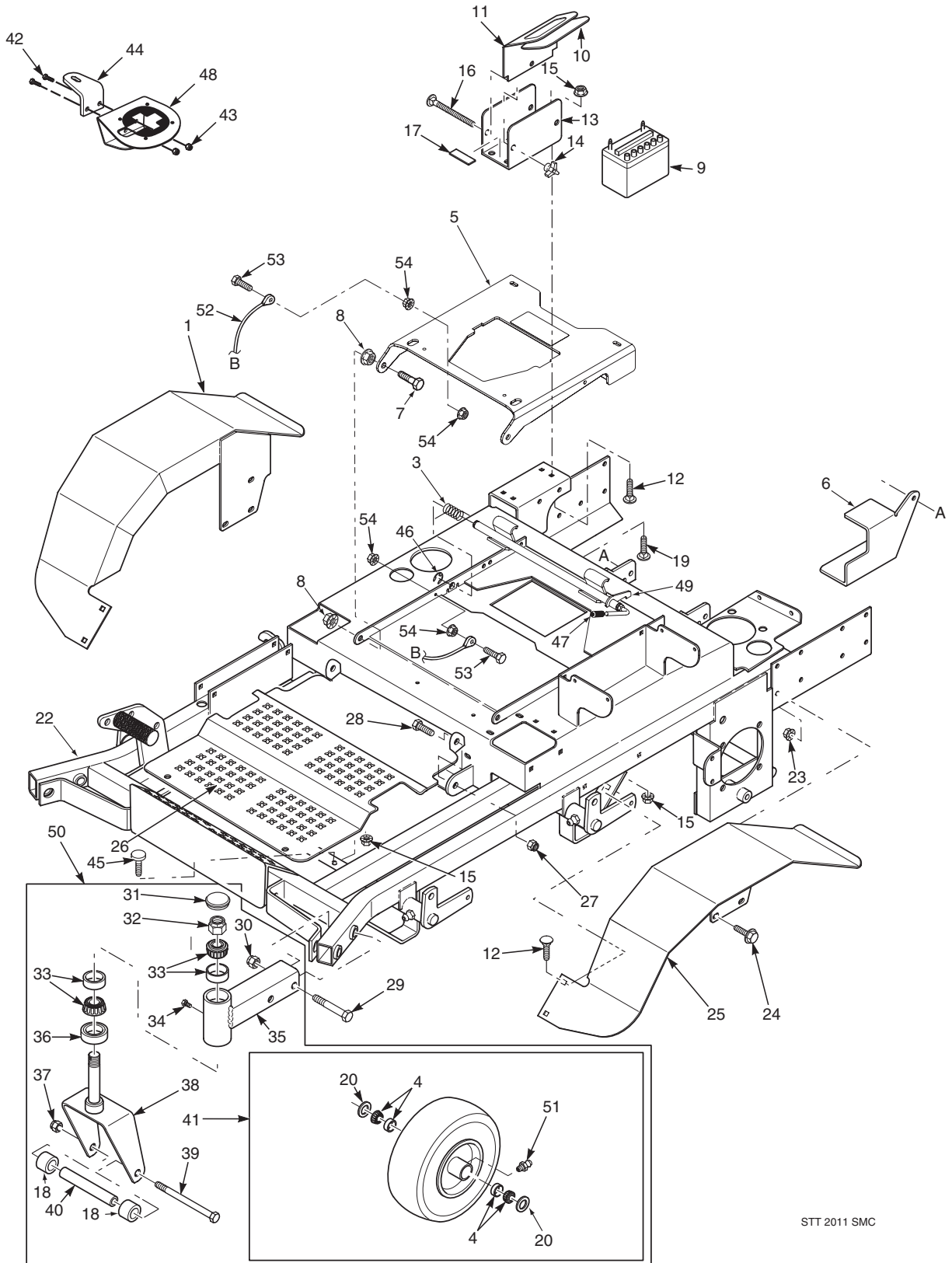
CUTTER DECK CONTROLS



CUTTER DECK CONTROLS

Ref. No.	Part No.	Description
1	461929	Lever Assembly, Deck Level
2	481764	Link, Deck Lift
3	481765	Rod End, Female - 1/2-20 RH
4	481766	Rod End, Female - 1/2-20 LH
5	04020-27	Nut, Jam 1/2-20 RH
6	04020-28	Nut, Jam 1/2-20 LH
7	04021-09	Nut, 3/8-16 Elastic Stop
8	482429	Slide Weldment, Height Adjustment
9	43391	Spacer, Decklift Pedal
10	43487	Pin, Decklift
11	43526	Swivel Joint, LH
12	43527	Swivel Joint, RH
13	45904	Bellcrank Weldment, LH Rear
14	45905	Bellcrank Weldment, RH Rear
15	04021-05	Locknut, 3/8-16 Center Lock
16	422381	Guide, Short
17	423509	Guide, Long
18	422346	Lockplate, Decklift
19	46975	Deck Latch (Incl. 20 & 21)
20	48100-14	Bushing, .502" I.D.
21	481428	Grip, Deck Latch
22	481598	Spring, Helper (61" & 72" Cutter Decks Only)
23	424504	Foot Pedal, Height Adjustment
24	04020-09	Nut, Hex 5/8-11
25	04019 -03	Nut, Hex Serr. Flng. 5/16-18
26	04040-09	Flatwasher, 5/8" (.656 x 1.312 x .095")
27	04041-14	Flatwasher, 1" (1.062 x 1.50 x .048")
28	48114-04	Grease Fitting
29	04061-07	Cotter Pin, 3/16 x 1"
30	04030-07	Lockwasher, 5/8"
31	04004-44	Stud, 5/8-11 x 22.0"
32	04067-09	Ring Pin, 1/2 x 3.06"
33	04050-08	Ring, Retaining 1" External "E"
34	04021-07	Nut, Hex Elastic Stop 1/2-13
35	04105-01	Capscrew, 5/8-11 x 1-1/2"
36	423463	Bracket, Cutting Height Adjustment
37	04014-03	Screw, Cap 5/16-18 x 3" FHHS
38	481547	Lanyard, Deck Height Pin
39	48540	Chain
40	04001-20	Bolt, Hex Hd. 3/8-16 x 1-1/2"
41	04019-04	Nut, Hex Serr. Flng. 3/8-16
42	04050-10	Ring, Retaining 1/2" External "E"
43	04001-74	Bolt, Hex Hd. 1/2-13 x 3"
44	04003-04	Bolt, Carriage 5/16-18 x 1"
45	04009-02	Bolt, Shoulder 1/2 x 3/4"

SHEET METAL COMPONENTS



STT 2011 SMC

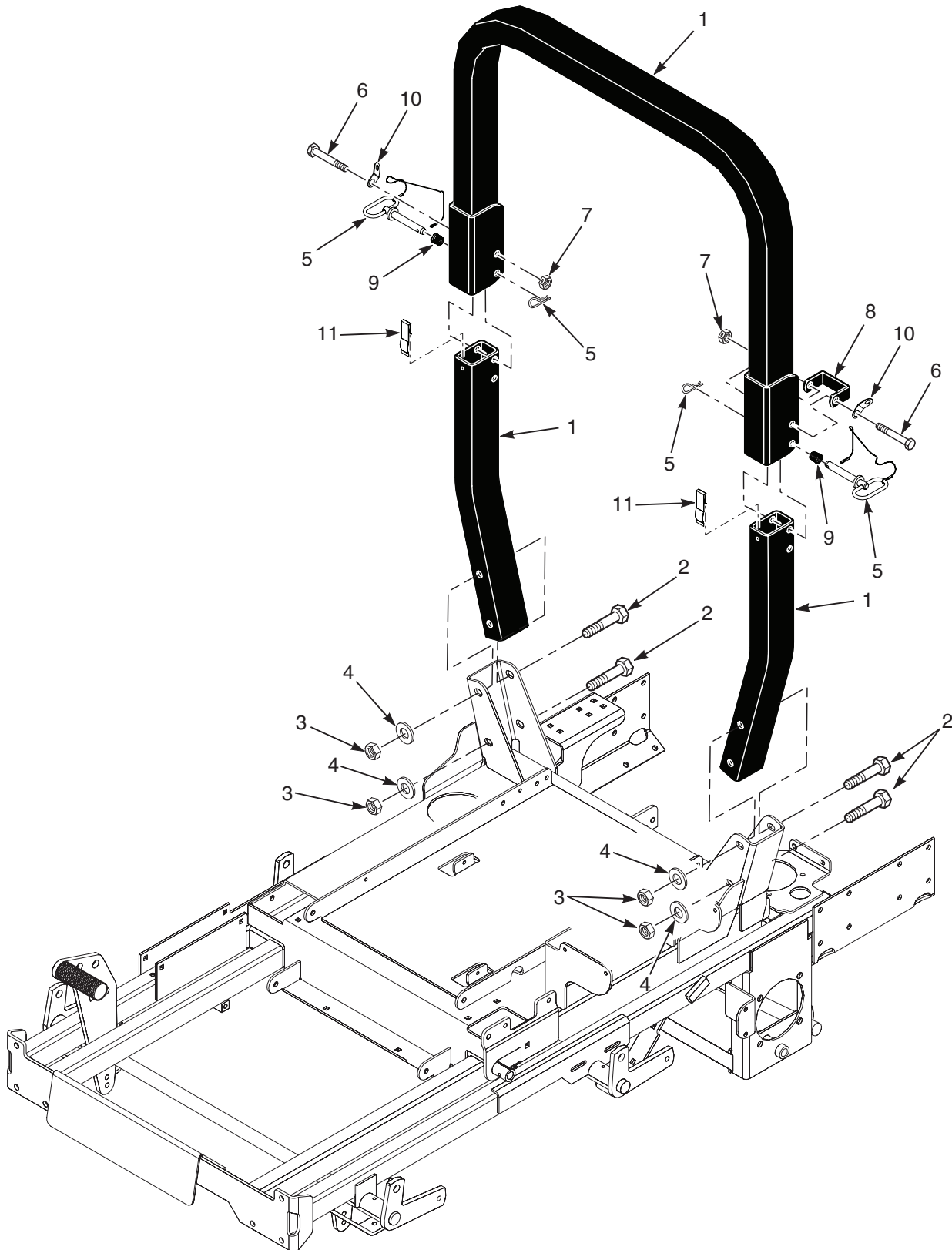
Section 8

SHEET METAL COMPONENTS

Ref. No.	Part No.	Description
1	451481	Fender Weldment, RH
2	04001-09	Bolt, Hex Head, 5/16-18 x 1, Zinc
3	483371	Spring, Seat Latch
4	482621	Bearing w/ Race
5	491729	Seat Plate w/Decal
6	424819	Guard, Fuel Line
7	04001-117	Bolt, Hex Head 7/16-14 x 1-3/4"
8	04019-05	Nut, 7/16-14 Serrated Flange
9	*	Battery (not avail. through Scag)
10	48903	Pad, Battery Cover
11	421274	Cover, Battery
12	04003-12	Bolt, Carriage 5/16-18 x 3/4"
13	423308	Plate, Battery Box
14	04029-01	Wing Nut, 1/4-20 x 3/4"
15	04019-03	Nut, Hex Serrated Flange 5/16-18
16	04003-01	Bolt, Carriage 1/4-20 x 6"
17	48661	Rubber Pad
18	43584	Spacer, Caster Wheel
19	04003-04	Bolt, Carriage 5/16-18 x 1"
20	482622	Seal
21	04021-09	Locknut, 3/8-16, Elast. Stop
22	462329	Main Frame w/Decals
23	04019-04	Nut, Hex Serrated Flange 3/8-16
24	04017-27	Screw, Hex Serrated Flange 3/8-16 x 1"
25	451480	Fender Weldment, LH
26	423489	Foot Plate
27	04021-09	Nut, Hex Elastic Stop 3/8-16
28	04001-19	Bolt, Hex Head 3/8-16 x 1"
29	04001-125	Bolt, Hex Head 5/8-11 x 4"
30	04021-13	Nut, Hex Elastic Stop 5/8-11
31	484195	Cap, Grease
32	04021-20	Nut, Hex Elastic Stop 1.0-14
33	481657	Bearing W/Race
34	482028-01	Plug, 1/4-28 THD Form
35	452198	Extention Weldment, Caster 61V (LH)
	452199	Extention Weldment, Caster 61V (RH)
	452200	Extention Weldment, Caster 72VS (LH)
	452201	Extention Weldment, Caster 72VS (RH)
36	481025	Seal, 2.00" OD. x 1.625" Bore
37	04021-07	Nut, Hex Elastic Stop 1/2-13
38	451416	Yoke Weldment, Caster (61V & 72A/VS)
39	04001-167	Bolt, Hex Head 1/2-13 x 9-1/2" (61V & 72A/VS)
40	43583	Sleeve, Caster Wheel (61V, 72A/VS)
41	9278	Wheel Assy, 61V, 72V (Incl. 20, 54, 55)
42	04001-01	Bolt, Hex Head 1/4-20 x 3/4"
43	04001-01	Bolt, Hex Head 1/4-20 x 3/4"
44	423674	Mounting Bracket, STT Cup Holder
45	481284	Bumper, Rubber

Ref. No.	Part No.	Description
46	04050-01	Retaining Ring, .625" Ext. "E"
47	484341	Grip, Seat Latch
48	9240	Cup Holder Assembly
49	491731	Lever Assembly, Seat Release
50	462314	Caster Wheel Assembly (Incl. 31 thru 43) 61V (LH)
	462315	Caster Wheel Assembly (Incl. 31 thru 43) 61V (RH)
	462316	Caster Wheel Assembly (Incl. 31 thru 43) 72VS (LH)
	462317	Caster Wheel Assembly (Incl. 31 thru 43) 72VS (RH)
51	48114-10	Grease Fitting
52	48566	Cable, Seat Stop
53	04001-02	Bolt, Hex Head 1/4-20 x 1-1/4"
54	04019-02	Nut, Serrated Flange 1/4-20

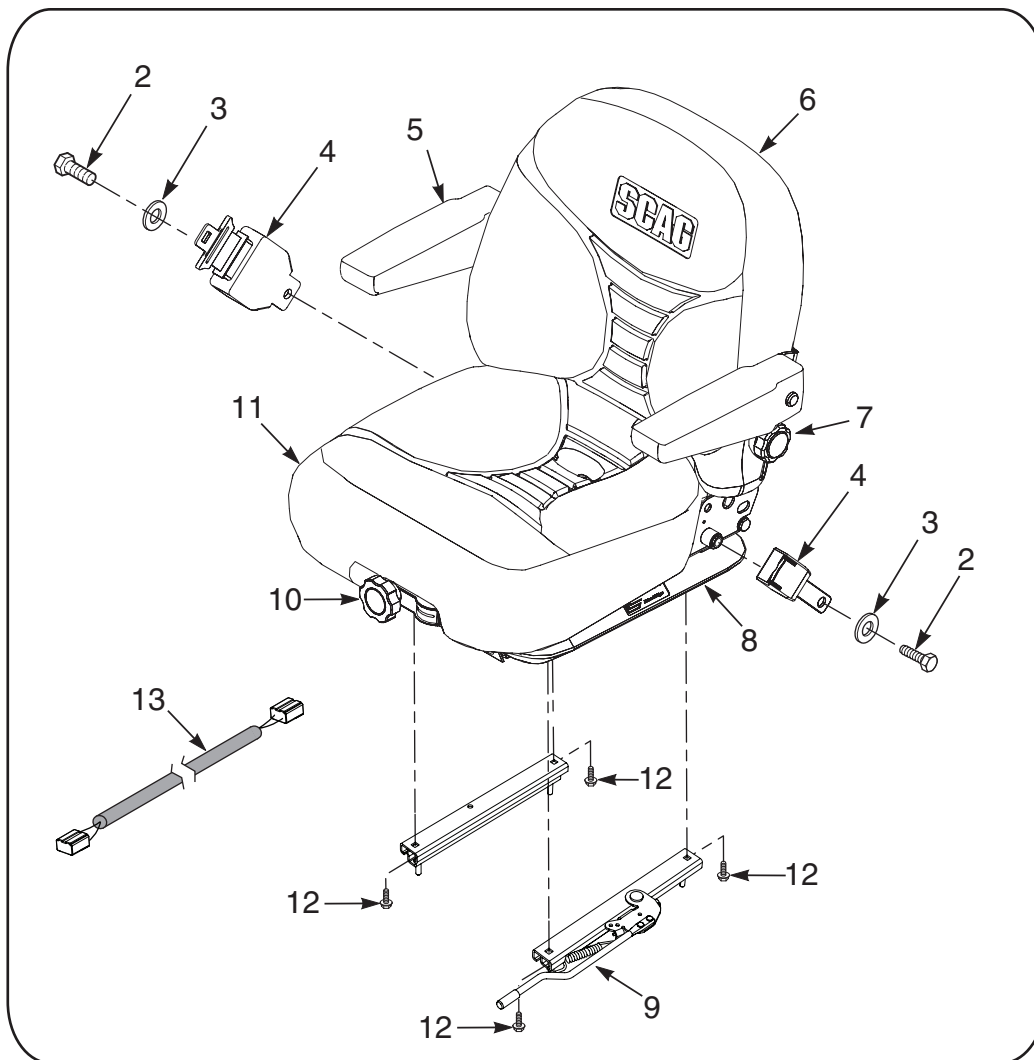
STT ROLL-OVER PROTECTION SYSTEM



STT ROLL-OVER PROTECTION SYSTEM

Ref. No.	Part No.	Description
1	462210	STT, ROPS
2	04001-87	Bolt, Hex Head 1/2-13 x 4"
3	04021-19	Nut, Center Lock 1/2-13
4	04040-13	Flatwasher, 1/2-.562 x 1.375 x .109
5	484168	Pin Assembly (incl. #9 & #10)
6	04001-163	Bolt, Hex Head 1/2-13 x 3-3/4"
7	04021-19	Nut, Center Lock 1/2-13
8	425478	Stop Bracket, ROPS
9	484170	Spring, ROPS
10	484169	Clip, ROPS
11	484167	Spring Clip, ROPS

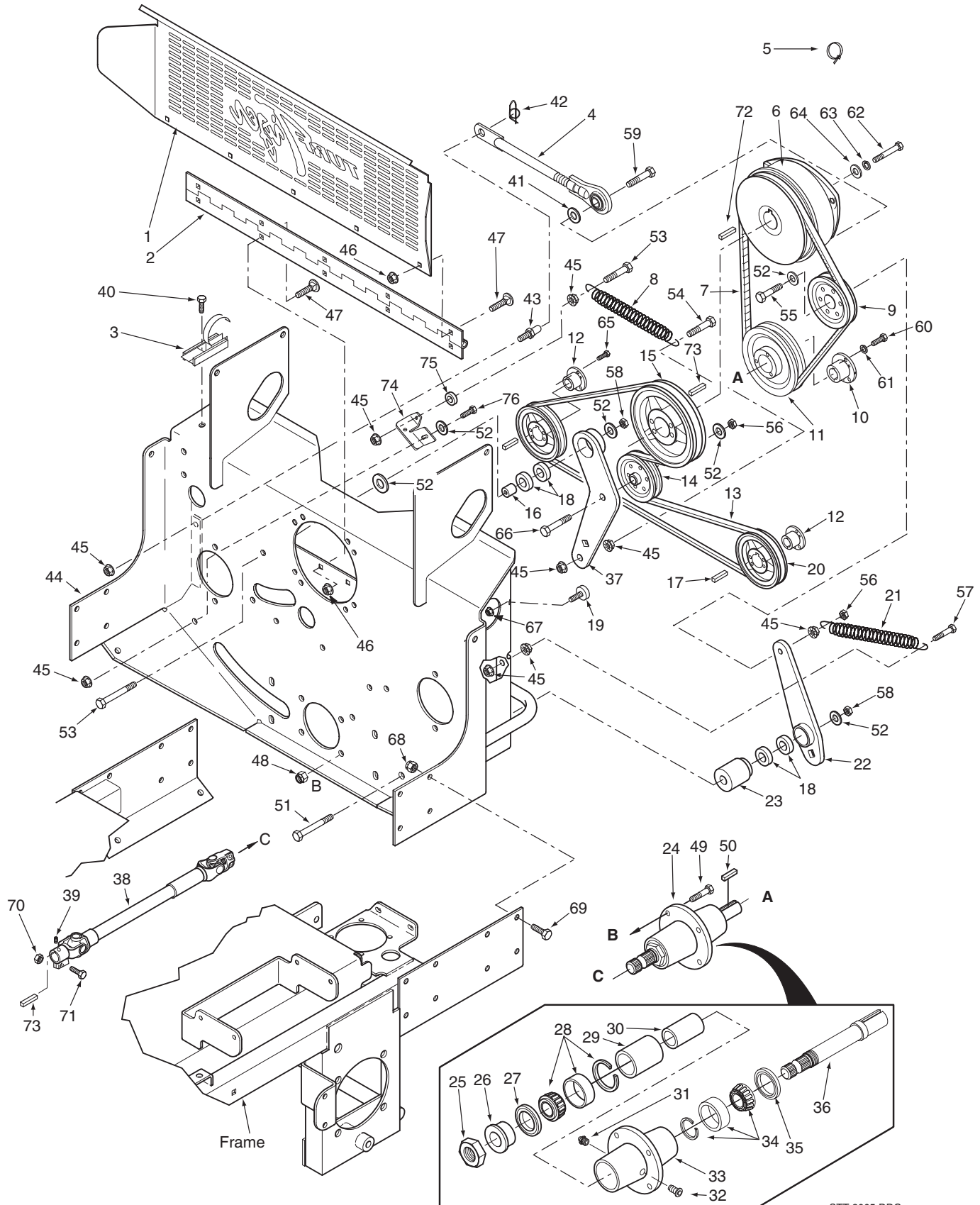
STT SUSPENSION SEAT



Ref. No.	Part No.	Description
1	9292	Suspension Seat Assembly w/seat belt
2	04001-178	Bolt, Hex Head 7/16-20 x 1"
3	04040-11	Flatwasher, 7/16-.500 x 1.25 x .083
4	483594	Retractable Seat Belt
5	482950	Armrest Only
	482945	Armrest Assembly Kit, LH
	482946	Armrest Assembly Kit, RH
6	482940	Back Cushion Kit
7	482943	Lumbar Kit
	482948	Knob Kit
8	482942	Shock Absorber Kit
9	482952	Seat Adjustment, Track Set
10	482944	Weight Adjustment Kit
	482948	Knob Kit
11	482941	Seat Cushion Kit
		Seat Drain Kit (Included with Seat Cushion)
12	04001-12	Bolt, Hex Head 5/16-18 x 1-3/4"
13	483440	Wire Harness Adapter

NOTES

DECK DRIVE COMPONENTS



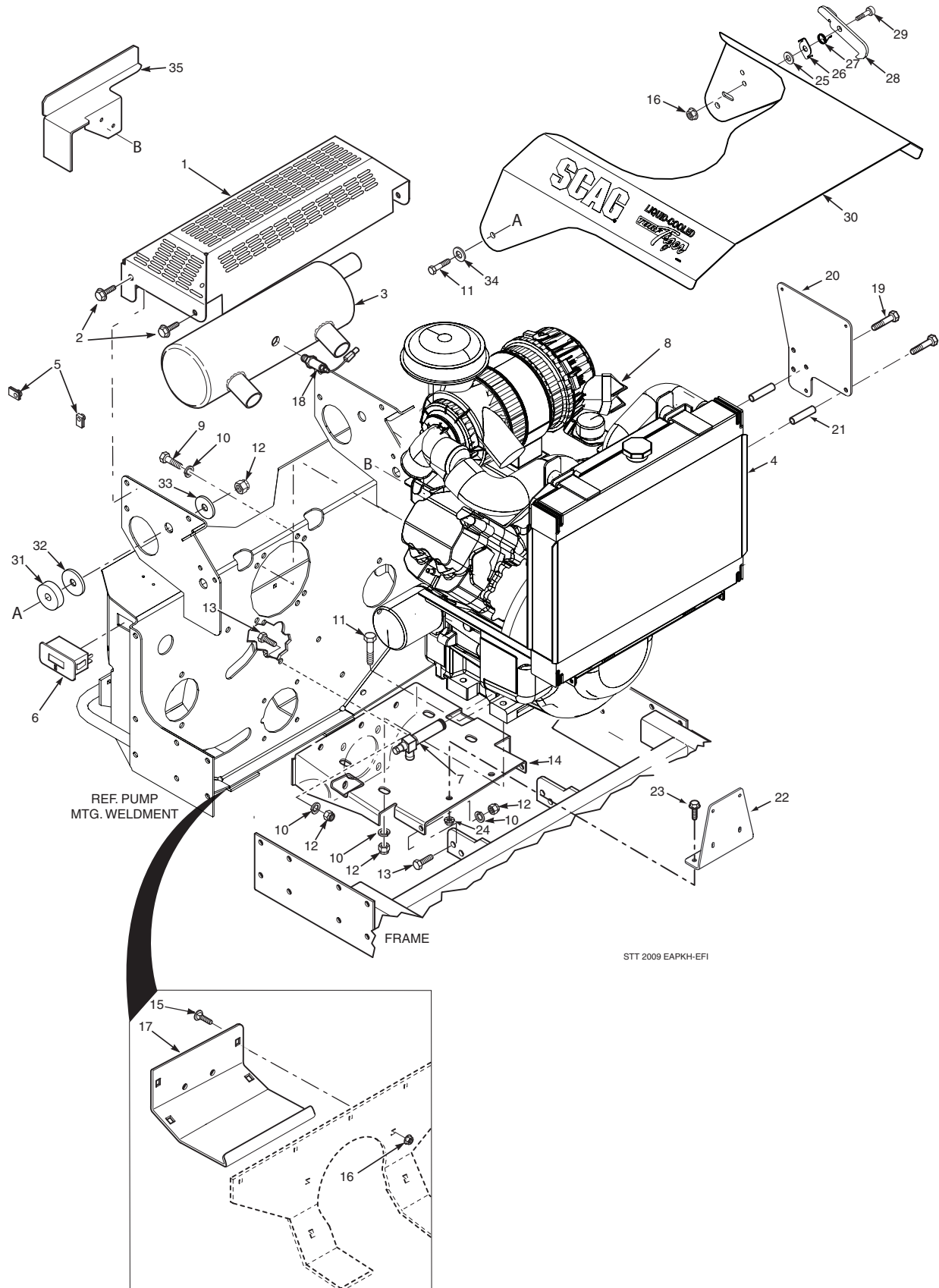
STT 2005 DDC

DECK DRIVE COMPONENTS

Ref. No.	Part No.	Description
1	423925	Belt Guard, Rear
2	481531	Hinge, Belt Guard
3	481309	Latch, Hood
4	482845	Rod Assembly, Clutch Anti-Rotation
5	48030-09	Clamp, Cable
6	461661	Clutch, Ogura GT-3.5
7	482876	Belt, Deck Drive
8	483088	Spring, Transmission Idler
9	48181	Pulley, Idler 5" Dia.
10	481536	Tapered Hub, 1" Bore
11	482949	Pulley, 6.70" Tapered Bore
12	481884	Tapered Hub, 17mm Bore
13	483678	Belt, Pump Drive
14	483214	Pulley, Idler 4" Dia.
15	483675	Pulley, 5.367" Dia. - 1.125" Bore
16	43631	Spacer, Idler Bearing
17	04063-14	Key, 5.0 x 5.0 x 25mm
18	48224	Ball Bearing
19	481284	Bumper, Rubber
20	482744	Pulley, 5.75" O.D.
21	482667	Spring, PTO
22	461609	Idler Arm Weldment, PTO Drive
23	43632	Pivot, Idler PTO
24	461697	Spindle Assembly, Deck Drive
25	481035	Nut, 1.06-18 Thread
26	43297	Spindle Bushing, Bottom
27	481025	Seal, 2.0" O.D. x 1.625" Bore
28	481022	Roller Bearing Tapered
29	43312	Spacer, Outside
30	43296	Spacer, Inside
31	48114-04	Grease Fitting, 1/4-28
32	48677	Relief Fitting
33	43644	Spindle Housing
34	481022	Roller Bearing Tapered
35	481024	Seal, 2.0" O.D. x 1.5" Bore
36	43534	Shaft, Deck Drive
37	461608	Idler Arm Weldment, Pump Drive
38	482438	Driveshaft (Liquid-Cooled Engine)
39	04012-08	Set Screw, 3/8-16 x 3/4" Torx Socket
40	04011-11	Screw, #10-32 x .56
41	04041-07	Flatwasher, 3/8 (.391 x .938 x .105")
42	04069-01	Pin, Rue Cotter 3/8" Dia.
43	43507	Stud, Anti Rotation
44	461801	Pump Mounting Plate Weld. (Liquid-Cooled)
45	04019-04	Nut, Serr. Flng. 3/8-16

Ref. No.	Part No.	Description
46	04019-02	Nut, Serr. Flng. 1/4-20
47	04003-07	Bolt, Carriage 1/4-20 x 1/2"
48	04021-22	Nut, Elastic Stop 5/16-18 Grd. 8
49	04001-176	Bolt, Hex Hd. 5/16-18 x 1-3/4" Grd. 8
50	04063-06	Key, 1/4 x 1/4 x 1-1/2"
51	04001-171	Bolt, Hex Hd. 3/8-16 x 4-1/2" Grd. 8 Black
52	04043-04	Washer, 3/8" Hardened
53	04001-135	Bolt, Hex Hd. 3/8-16 x 1-3/4" Grd. 8 Black
54	04001-136	Bolt, Hex Hd. 3/8-16 x 1-1/2" Grd. 8 Black
55	04001-170	Bolt, Hex Hd. 3/8-16 x 2-1/2" Grd. 8
56	04021-05	Nut, Center Lock 3/8-16
57	04001-136	Bolt, Hex Hd. 3/8-16 x 1-1/2" Grd. 8 Black
58	04021-09	Nut, Elastic Stop 3/8-16
59	04001-45	Bolt, Hex Hd. 3/8-16 x 2"
60	04001-109	Bolt, Hex Hd. 1/4-20 x 1-3/8"
61	04030-02	Lockwasher, 1/4" Spring
62	04001-101	Bolt, Hex Hd. 7/16-20 x 2-1/2" UNF
63	04030-05	Lockwasher, 7/16" Spring
64	04041-28	Flatwasher, 7/16 (.469 x 1.75 x .25")
65	04001-172	Bolt, Hex Hd. 1/4-20 x 1" Grd. 8
66	04001-21	Bolt, Hex Hd. 3/8-16 x 1-3/4"
67	04019-03	Nut, Serr. Flng. 5/16-18
68	04021-09	Nut, Elastic Stop 3/8-16
69	04001-19	Bolt, Hex Hd. 3/8-16 x 1"
70	04021-05	Nut, Center Lock 3/8-16
71	04001-21	Bolt, Hex Hd. 3/8-16 x 1-3/4"
72	04063-02	Key, 1/4 x 1/4 x 2-1/4"
73	04063-20	Key, 1/4 x 1/4 x 1"
74	424138	Bracket
75	43063	Spacer
76	04001-19	Bolt, Hex Hd. 3/8-16 x 1"

ENGINE & ATTACHING PARTS - 31HP-EFI KOHLER

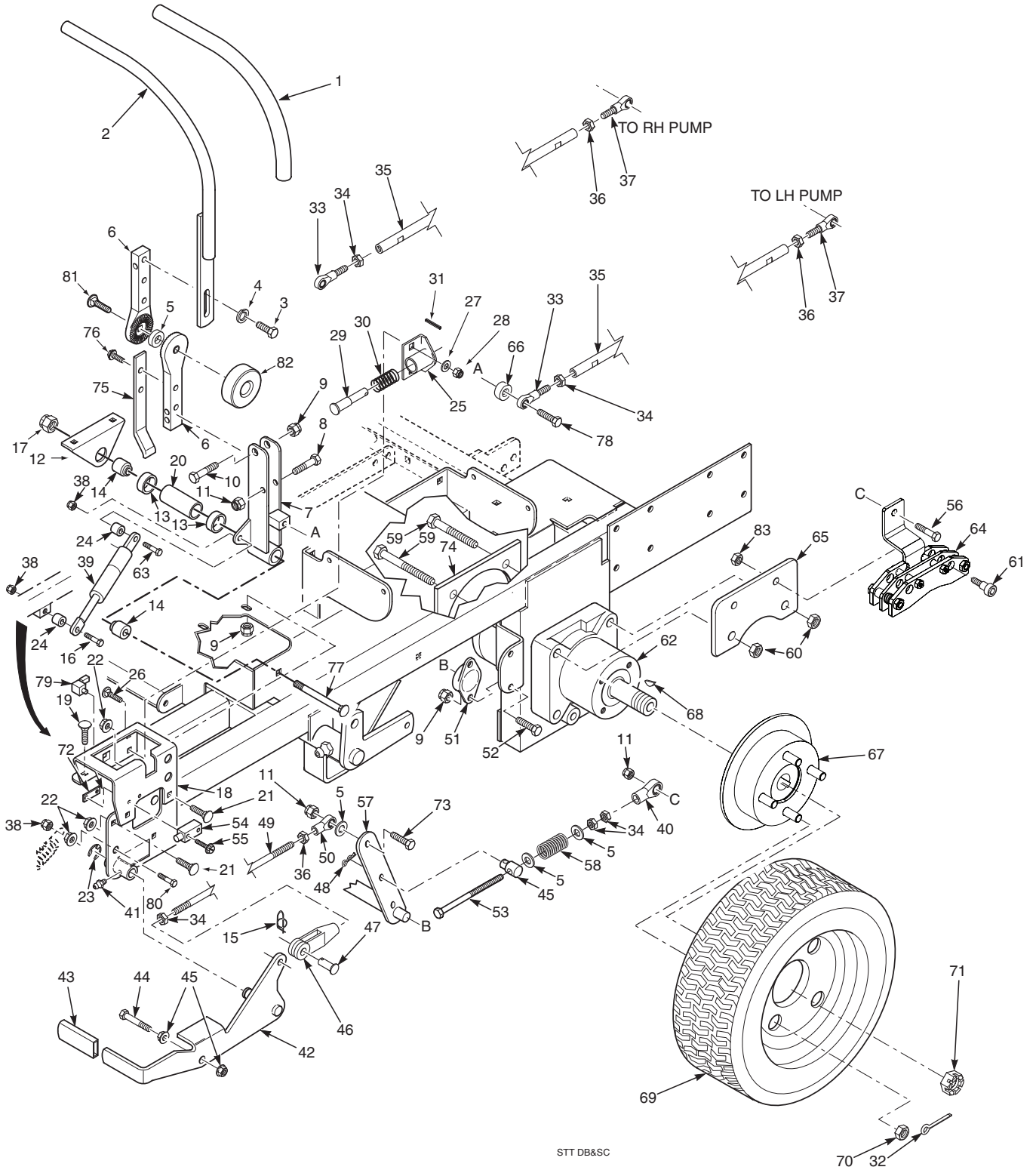


ENGINE & ATTACHING PARTS - 31HP-EFI KOHLER

Ref. No.	Part No.	Description
1	424910	Muffler Guard (Kohler)
2	04017-05	Screw, Hex Serr. Flng. 1/4-20 x 3/4"
3	**	Muffler (Available only through Kohler)
4	451997	Screen Weldment, Radiator (Kohler)
5	04110-01	U-Nut, 1/4-20
6	483355	Hour Meter
7	482510	Oil Drain Extension
8	483687	** Engine, Kohler 31HP-EFI Aegis (Available only through Kohler)
9	04001-19	Bolt, Hex Hd. 3/8-16 x 1"
10	04030-04	Lockwasher, 3/8" Spring
11	04001-21	Bolt, Hex Hd. 3/8-16 x 1-3/4"
12	04021-09	Nut, Hex Elastic Stop 3/8-16
13	04001-32	Bolt, Hex Hd. 3/8-16 x 1-1/4"
14	451454	Plate, Engine Mounting
15	04003-12	Bolt, Carriage 5/16-18 x 3/4"
16	04019-03	Nut, Hex Serr. Flng. 5/16-18
17	424691	Rear Cover
18	**	o2 Sensor (Available through Kohler Only)
19	04002-23	Bolt, Hex Hd. M6-1.0 X 90mm
20	424888	Mounting Bracket, ECU Kohler EFI
21	43774	Spacer, ECU Mounting
22	424889	Mounting Bracket, Fuel Pump Kohler EFI
23	04017-05	Bolt, Hex Hd. 1/4-20 x 3/4"
24	04019-02	Nut, Serr. Flng. 1/4-20
25	04040-05	Flatwasher, 3/8-.406 x .812 x .065
26	424634	Lock, Hood Latch
27	483507	Spring, Hood Latch
28	424633	Latch, Hood
29	04009-07	Bolt, Shoulder 5/16-18 x 1/2"
30	462157	Hood Assembly w/Decals (Incl. 16, 25, 26, 27, 28, 29)
31	43740	Spacer, Hood
32	483471	Disc, Anti-Friction
33	04041-11	Flatwasher, 3/8-.406 x 1.50 x 7 Gauge
34	04041-07	Flatwasher, 3/8-.391 x .938 x .105
35	425141	Heatshield, Throttle Cable

** Available through the individual engine manufacturer.

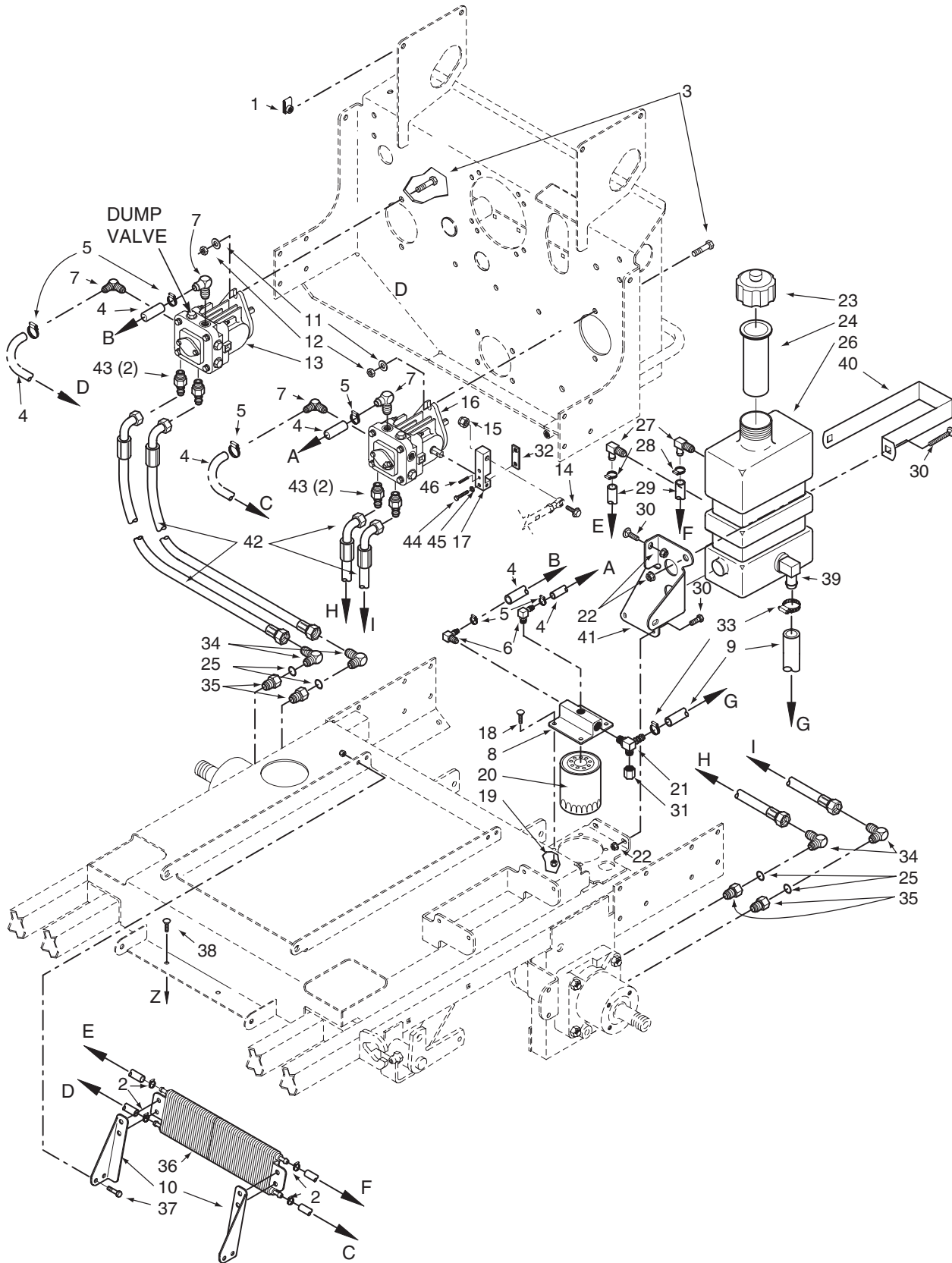
BRAKE AND STEERING COMPONENTS



BRAKE AND STEERING COMPONENTS

Ref. No.	Part No.	Description	Ref. No.	Part No.	Description
1	482340	Grip, Handle Bar	46	48343-04	Clevis, Traction Control
2	461914	Handle Bar, LH (Incl. item 1)	47	04064-02	Pin, Clevis 3/8-16 x 1-1/16"
	461923	Handle Bar, RH (Incl. item 1)	48	04062-01	Hair Pin Cotter
3	04001-09	Bolt, Hex Hd. 5/16-18 x 1"	49	04004-34	Rod, Parking Brake
4	04030-03	Lockwasher, 5/16"	50	48544	Rod End, LH Thread
5	483250	Rubber Spacer	51	482061	Bushing, Self Align
6	483238	Bar, Control Lever	52	04001-08	Bolt, Hex Hd. 5/16-18 x 3/4"
7	451483	Control Lever Weldment, LH	53	04001-192	Bolt, Hex Hd 3/8-24 x 5-1/2"
	451484	Control Lever Weldment, RH	54	481637	Switch
8	04001-17	Bolt, Hex Hd. 5/16-18 x 2"	55	04010-12	Screw, Hex Sltd. Wshr. Hd. #10 32 x 3/4"
9	04021-10	Nut, Hex Elastic Stop 5/16-18	56	451970	Brake Linkage, LH
10	04001-45	Bolt, Hex Hd. 3/8-16 x 2"		451971	Brake Linkage, RH
11	04021-09	Nut, Hex Elastic Stop	57	45953	Bellcrank, Brake Actuator
12	423488	Mount, Control Linkage	58	48807	Spring
13	48224	Ball Bearings, Neutral Return	59	04001-190	Bolt, Hex Hd. 1/2-13 x 2-3/4" (upper)
14	43607	Spacer		04001-52	Bolt, Hex Hd. 1/2-13 x 2-1/2" (lower)
15	04069-01	Pin, Rue Cotter 3/8" Dia.	60	04021-19	Locknut, Hex 1/2-13 Center Lock
16	04001-13	Bolt, Hex Hd., 5/16-18 x 2.75 Zinc	61	04009-13	Bolt, Shoulder 3/8-16 x 2-1/2"
17	04021-13	Nut, Hex Elastic Stop 5/8-11	62	484108	Wheel Motor, Parker
18	461601	Bracket, Control Lever LH	63	04001-12	Bolt, Hex Hd., 5/16-18 x 1.75", Zinc
	461602	Bracket, Control Lever RH	64	483701	Brake Caliper
19	04003-04	Bolt, Carriage 5/16-18 x 1"	65	424894	Mounting Bracket, Brake
20	43600	Spacer, Bearing	66	43063	Spacer
21	04003-12	Bolt, Carriage 5/16-18 x 3/4"	67	461438	Wheel Hub/Disk Brake Assembly
22	04019-03	Nut, Hex Serr. Flng. 5/16-18	68	04063-25	Key, Woodruff 5/16 x 1"
23	04050-01	Ring, Retaining 5/8" External "E"	69	481850	Wheel Assembly 24 x 12-12 Turf Master
24	43602	Spacer		481851	Rim w/Valve Stem
25	45918	Bracket, Neutral Return		481852	Tire, 24 x 12-12 Turf Master
26	04003-02	Bolt, Carriage 1/4-20 x 3/4"	70	04028-02	Lug Nut, 1/2-20
27	04040-14	Flatwasher, 1/4" (.312 x .750 x .065")	71	48680	Nut, Hex Castle
28	04021-08	Nut, Hex Elastic Stop 1/4-20	72	422373	Threaded Plate
29	43477	Pin, Retaining Spring	73	04001-20	Bolt, Hex Hd. 3/8-16 x 1-1/2"
30	481389	Spring	74	423279	Plate Weldment, Motor Backing
31	04060-01	Roll Pin, Spring 5/32 x 3/4"	75	423491	Actuator Switch
32	04061-06	Pin, Cotter 9/16 x 1-1/2"	76	04017-16	Bolt, Hex Serr. Flng. 5/16-18 x 3/4"
33	482586	Rod End, Male 3/8-24 RH Thread	77	04003-36	Bolt, Carriage 3/8-16 x 4-3/4"
34	04020-25	Nut, 3/8-24 RH Thread	78	04001-19	Bolt, Hex Hd. 3/8-16 x 1"
35	43624	Tube, Control Link Liquid-Cooled Engine	79	481638	Switch
36	04020-26	Nut, Hex 3/8-24 LH Thread	80	04001-168	Bolt, Hex Hd. 3/8-16 x 1-1/4" Grd. 8
37	482585	Rod End, Male 3/8-24 LH Thread	81	04003-38	Bolt, Carriage 5/16-18 x 1-1/2"
38	04021-10	Locknut, 5/16-18, Elastic Stop	82	483269	Knob
39	482794	Gas Damper	83	04021-05	Nut, Center Lock 3/8-16
40	482330	Rod End, 3/8-24 RH Female			
41	48114-04	Grease Fitting			
42	461082	Lever, Parking Brake (Incl. 43)			
43	481548	Grip, Parking Brake			
44	04001-22	Bolt, Hex Hd. 3/8-16 x 2-3/4"			
45	43773	Swivel Joint			

STT HYDRAULIC SYSTEM



STT HYDRAULIC SYSTEM

Ref. No.	Part No.	Description
1	04110-01	U-Nut 1/4-20
2	48136-13	Hose Clamp, 0.69" Dia.
3	04001-03	Bolt, Hex Head 1/4-20 x 2.0"
4	48811	Hose, 3/8" ID Pushlock - (order by inch)
5	48136-07	Clamp, Hose 1/2"
6	481301-03	Elbow, 90 Degree - 1/4" NPT x 3/8" Hose
7	482266-01	Elbow, 90 Degree - 9/16" O-Ring x 3/8" Hose
8	48471-02	Oil Filter Base
9	482606	Hose Assembly, 1/2" ID (Tank to Filter Base)
10	425437	Mounting Bracket - LH, Oil Cooler
	425438	Mounting Bracket - RH, Oil Cooler
11	04043-04	Flatwasher, 3/8" (.391 x .938 x .105") Grade 8
12	04021-09	Nut, Hex Elastic Stop 3/8-16
13	483100	Pump w/Fan, Right Hand
14	04001-32	Bolt, Hex Head, 3/8-16 x 1-1/4"
15	04021-09	Nut, Hex, Elastic Stop 3/8-16
16	483101	Pump w/Fan, Left Hand
17	481793	Block, Pump Control
18	04001-09	Bolt, Hex Head 5/16-18 x 1.0" Zinc
19	04019-03	Nut, Serrated Flange 5/16-18
20	48758	Oil Filter
21	482483	Tee, 3/4" O-Ring x JIC x 1/2" Hose
22	04021-08	Nut, Hex Elastic Stop 1/4-20
23	481164	Cap, Hydraulic Tank
24	481507	Insert, Filler Neck
25	48603-02	O-Ring
26	461451	Oil Reservoir Assembly (incl. 24, 27, 39)
27	482572	Elbow, 90 Degree .38" Hose
	482571	Bushing, .56" Dia. Viton
28	48136-13	Hose Clamp, 0.69" Dia.
29	48811	Hose, 3/8" ID, Pushlock (order by inch)
30	04010-10	Screw, Phillips Head, 1/4-20
31	48571-02	Cap
32	422694	Clamp Plate, Pump Control
33	48136-05	Clamp, Hose
34	48350-02	Elbow, 90 Degree, 1/2" x 1/2"
	48350-05	Elbow, 90 Degree, 5/8" x 1/2" (35BV Only)
35	48938-02	Bushing, 7/8"-14 JIC x 3/4"-16 O-Ring
36	482505	Cooler, Oil
37	04001-08	Bolt, Hex Head 5/16-18 x 3/4"
38	04003-02	Bolt, Carriage 1/4-20 x 3/4"
39	482574	Elbow, 90 Degree
	482573	Bushing, .78" Dia. Viton
40	423513	Strap, Hydraulic Tank

Ref. No.	Part No.	Description
41	423485	Support Bracket, Hydraulic Tank
42	484457	Hose Assembly, Pump
43	48572-06	Union, 3/4"-16 JIC x 3/4"-16 O-Ring
44	04001-59	Bolt, Hex Head, 1/4-20 x 1-1/4"
45	04030-02	Lockwasher, 1/4" Spring
46	04060-09	Roll Pin, Spring 3/16 x 3/4"

Section 8

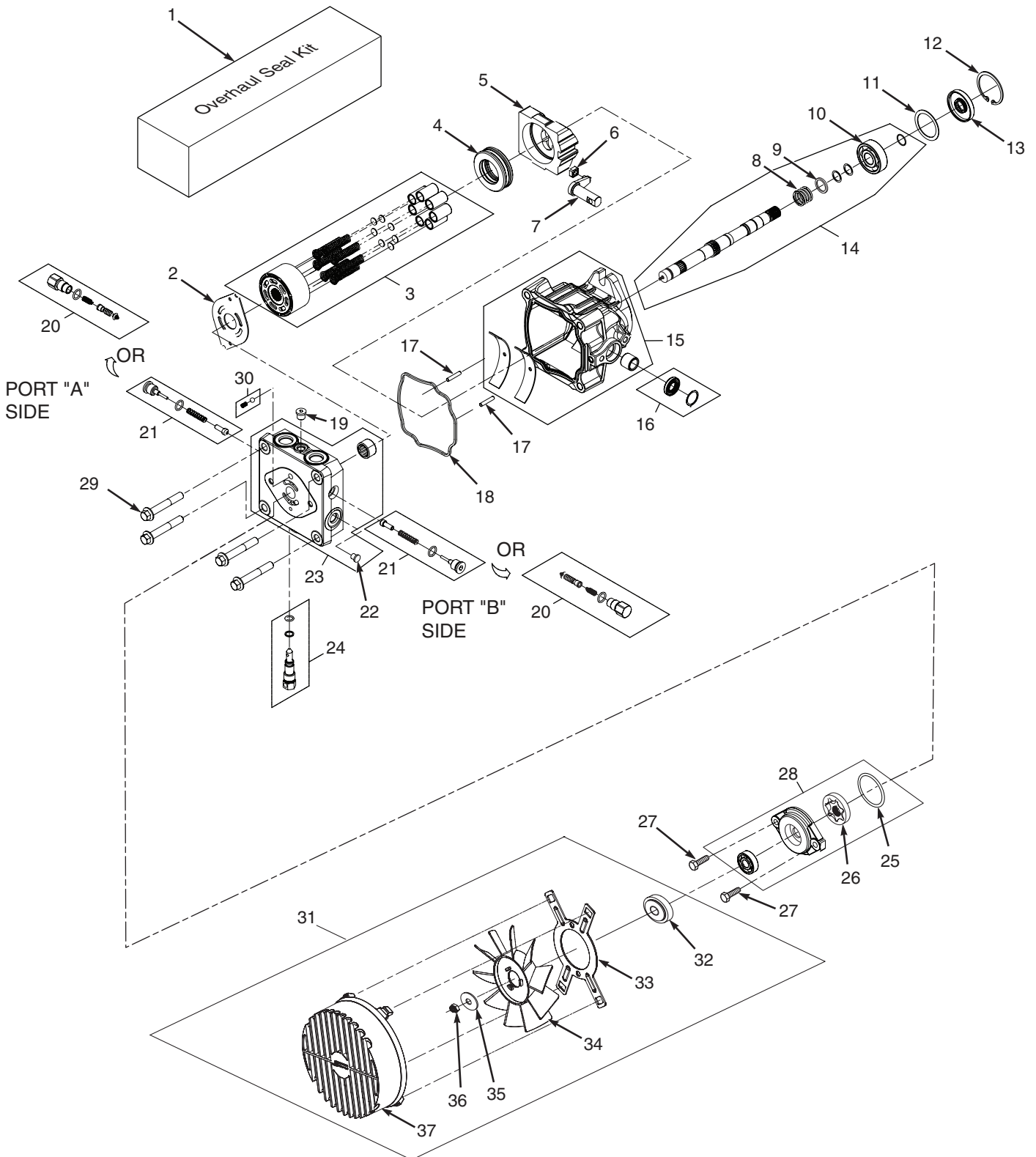
STT-31EFI FUEL SYSTEM - EPA PHASE 3 (models produced after 1/1/2011)

Ref. No.	Part No.	Description
1	484251	Fuel Gauge Assembly
2	484242	Seal, Fuel Gauge
3	484286	Fuel Cap, Tethered
4	04003-02	Bolt, Carriage 1/4-20 x 3/4"
5	462303	Fuel Tank Assembly - STT- (incl. # 1, 2, 8, 9, 30, 31)
	462304	Fuel Tank Assembly - STT-DFI / EFI (incl. # 1, 2, 8, 9, 16, 30, 31)
6	425517	Support Bracket, Fuel Tank
7	04019-02	Nut, 1/4-20 Serrated Flange
8	482571	Bushing, .56 Dia. Viton
9	483749	Hose Fitting
10	48059-04	Clamp, Fuel Hose 5/16" I.D. (29DFI)
11	483620	Fuel Hose, 5/16" I.D. Non-Perm (29DFI) - Order by Inch
12	481308	Valve, Fuel Shut-Off (29DFI)
13	48136-05	Clamp, .87" Max. Dia
14	483622	Fuel Hose, 1/2" I.D. Non-Perm - Order by Inch
15	483617	Fuel Hose, 1/4" I.D. Non-Perm (29DFI Fuel Return) - Order by Inch
16	482703	Return Fitting, Straight
17	484279-02	Tube, Fuel Tank Insert - 6"
18	48059-05	Clamp, Vapor Recovery Hose 3/16"
19	48059-02	Clamp, Fuel Hose 7/32 ID
20	484342	Carbon Canister
21	04003-02	Bolt, Carriage 1/4-20 x 3/4"
22	48030-22	Clamp
23	04040-03	Flatwasher, 1/4-.281 x .562 x .049
24	04021-08	Nut, 1/4-20 Elastic Stop
25	04019-02	Nut, 1/4-20 Serrated Flange
26	425496	Bracket, RH Canister Mounting
27	48136-17	Clamp
28	484345	Hose, 3/16 (order by inch)
29	484343-01	Mender, 1/4 x 3/16 w/.02 Hole
30	484284	Valve, Rollover
31	484284	Grommet, Viton
32	484347	Hose, 1/4" Vapor Recovery (order by inch)
33	483699	Fuel Clamp, 5/16" Oetiker
34	**483691	Fuel Hose, 5/16" Non-Perm (order by inch)
35	482839-01	Shield, Flexible
36	*	Regulator Assembly, Fuel Pressure (Kohler p/n 24 403 16)

* = Available through engine manufacturer only.

** = High Pressure Fuel Line. MUST only be replaced with the part number listed.

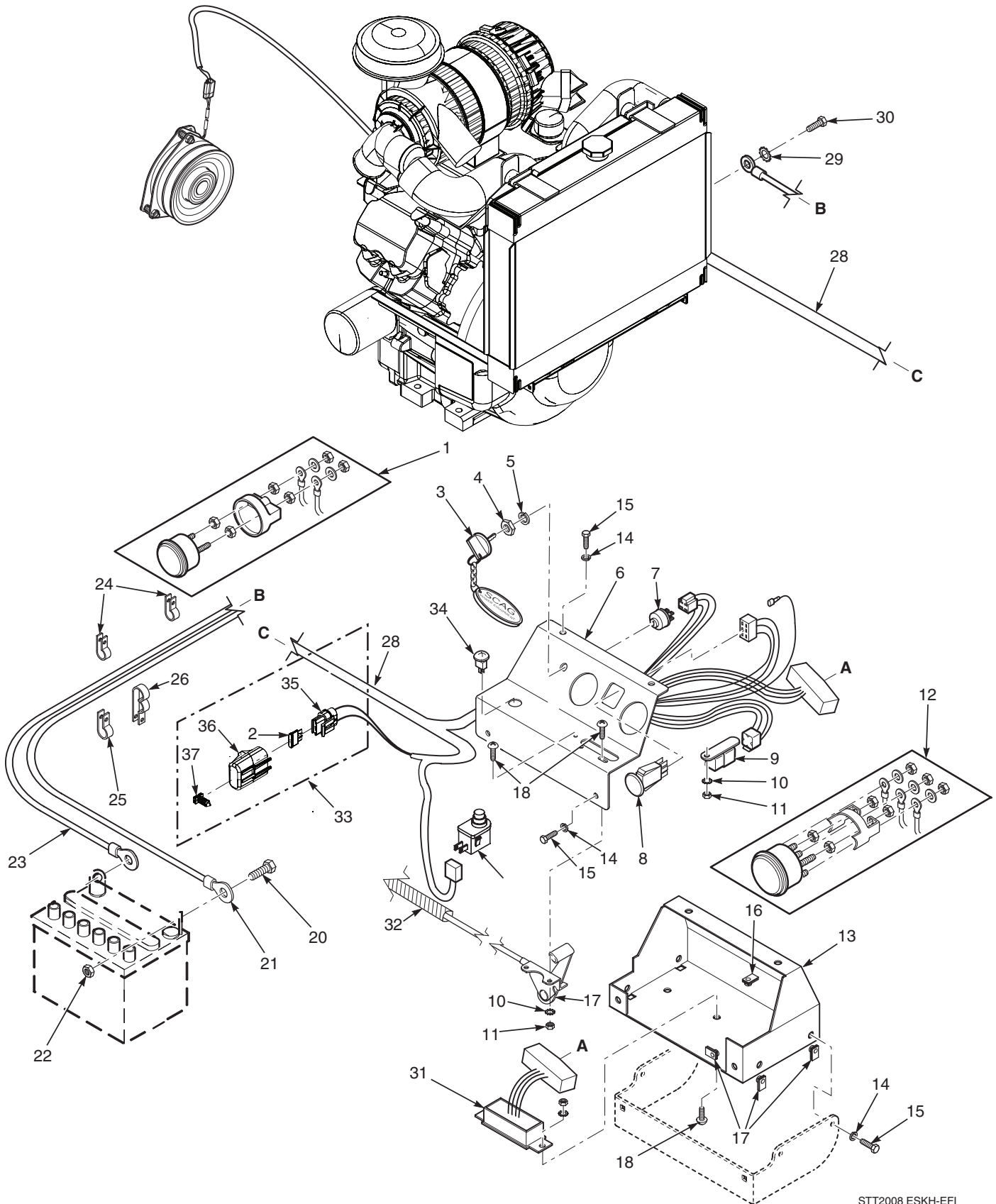
BDP-16A HYDRAULIC PUMP ASSEMBLY WITH COOLING FAN



BDP-16A HYDRAULIC PUMP ASSEMBLY WITH COOLING FAN

Ref. No.	Part No.	Description
1	HG70740	Overhaul Seal Kit
2	HG51455	Valve Plate
3	HG70735	Cylinder Block Kit - 16cc
4	HG51462	Thrust Ball Bearing Assembly
5	HG51436	Variable Swashplate
6	HG2000015	Slot Guide
7	HG2000014	Trunnion Arm
8	HG2000025	Block Spring
9	HG2000024	Block Thrust Washer
10	HG2000032	Shaft Ball Bearing
11	HG2000023	Spacer
12	HG2000038	Retaining Ring
13	HG51092	Seal
14	HG70578	Kit, Pump Shaft (keyed thru taper)
15	HG70738	Housing Kit
16	HG70739	Trunnion Seal Kit
17	HG50641	Pin
18	HG51437	O-Ring
19	HG9005110-7500	Straight Thread Plug
20	HG70743	Shock Valve Kit (.031" Orifice)
21	HG70742	Shock Valve Kit (.024" Orifice)
22	HG9005200-7500	Straight Thread Plug
23	HG70736	End Cap Kit
24	HG2513030	Bypass Valve Kit
25	HG9004100-1430	O-Ring
26	HG50406	Gerotor Assembly (.19 cu.in./rev.)
27	HG50173	Socket Head Cap Screw (M8 x 1.25-25mm)
28	HG70924	Charge Pump Kit (.19 STD. Splined)
29	HG51457	Hex Screw, Flng. Head (M10 x 1.50-65mm)
30	HG70402	Charge Relief Kit
31	HG71287	Fan Kit (Incl. 32, 33, 34, 35, 36, & 37)
32	HG51348	Hub
33	HG52016	Bracket, Shroud
34	HG52014	Fan
35	HG51348	Washer
36	HG44809	Nut
37	HG52059	Shroud

ELECTRICAL SYSTEM (31HP-EFI KOHLER)



STT2008 ESKH-EFI

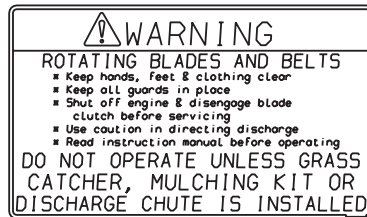
ELECTRICAL SYSTEM (31HP-EFI KOHLER)

Ref. No.	Part No.	Description
1	481184	Volt Meter
2	48298	Fuse, 20 AMP
3	462069	Key, Assembly w/Fob
4	48017-04	Nut, Hex 5/8-32
5	48017-03	Lockwasher, 5/8" Internal
6	461916	Instrument Panel, Top w/Decals
7	48798	Key Switch
8	483957	Switch, PTO - 10 Amp
9	48788	Relay
10	04031-01	Lockwasher, #10 External Tooth
11	04020-01	Nut, Hex #10-32
12	481183	Water Temp. Gauge
13	451879	Base, Instrument Panel
14	04030-02	Lockwasher, 1/4"
15	04001-01	Bolt, Hex Hd. 1/4-20 x 3/4"
16	04110-01	U-Nut, 1/4-20
17	481662	Throttle Controls
18	04010-01	Screw, Phillips Washer Head #10-32 x 1/2"
19	481638	Switch, Interlock-Seat
20	04001-44	Bolt, Hex Hd. 1/4-20 x 1/2"
21	48029-06	Cable, Battery - Red
22	04020-02	Nut, Hex 1/4-20
23	48029-11	Cable, Battery - Black
24	48030-09	Clamp, Cable 1/2" I.D.
25	48136-05	Clamp, Cable 3/4" I.D.
26	48030-11	Clamp, Cable
27	481670	Sending Unit, Water Temp.
28	483688	Wire Harness, STT Liquid-Cooled Electronic Fuel Injection (EFI)
29	04031-03	Lockwasher, 5/16" External Tooth
30	04002-12	Bolt, Hex Hd. M8-1.25 x 20mm
31	483599	Electronic Module
32	481945-01	Heatshield, Flexible
33	483641	Single Fuse Assembly, Sealed (Incl. 2, 35, 36, & 37)
34	481182	Indicator Light, Check Engine
35	483629	Fuse Holder
36	483643	Cover, Sealed Single
37	482588	Clip, Wire

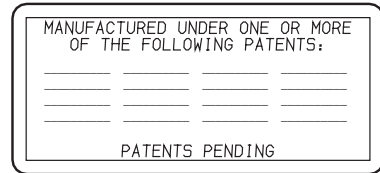
STT REPLACEMENT DECALS AND INFORMATION PLATES - ALL MODELS



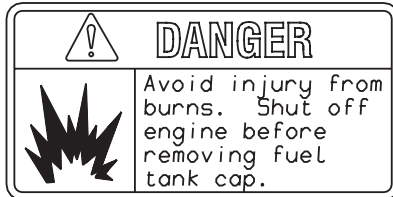
1



2



5



4



3



481568

6



481971

7

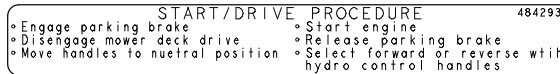


48404

8

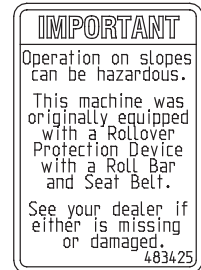


9

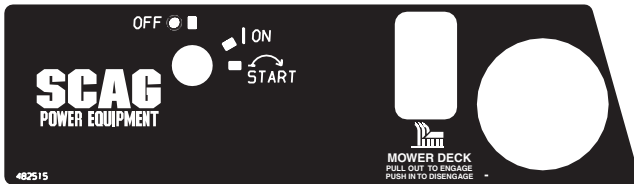


484293

26

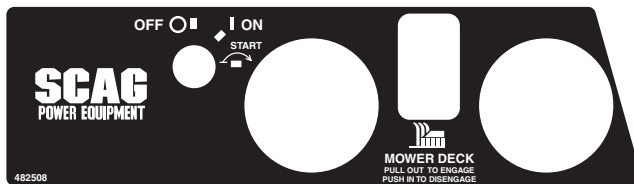


25



482515

10



482508

11



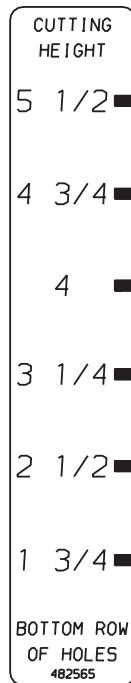
482983

12

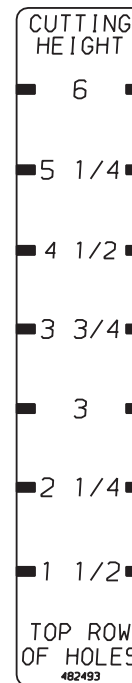


482984

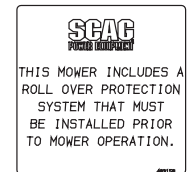
23



13



22



24

STT REPLACEMENT DECALS AND INFORMATION PLATES - ALL MODELS

Ref. No.	Part No.	Description
1	483192	Decal, Danger - Spinning Blades
2	483406	Decal, Warning - Rotating Blades
3	483200	Decal, 52 Velocity Plus
	483201	Decal, 61 Velocity Plus
	483693	Decal, 72 Velocity Plus
4	483397	Decal, Fuel Tank
5	483044	Decal, Patents
6	481568	Decal, Traction Control
7	481971	Decal, Heavy-Duty Commercial
8	48404	Decal, Metalcraft-Made In USA
9	483402	Decal, Belt Cover
10	482515	Decal, Instrument Panel - Upper (Air-Cooled)
11	482508	Decal, Instrument Panel - Upper (Liquid Cooled)
12	482983	Decal, Instrument Panel-Lower
13	482565	Decal, Cutting Height - Lower
14	484321	Decal, Fuel Tank Warning
15	484320	Decal, STT Adjustments
16	482577	Decal, Turf Tiger
17	483229	Decal, Turf Tiger
18	481664	Decal, Stripes-RH
19	481663	Decal, Stripes-LH
20	481694	Decal, Tiger
21	483405	Decal, Warning
22	482493	Decal, Cutting Height - Upper
23	482984	Decal, Instrument Panel - Lower (29DFI & 31EFI only)
24	483158	Decal, ROPS
25	483425	Decal, ROPS
26	484293	Decal, Start / Drive
27	483633	Decal, Seat Replacement
**	461982	Spanish Decal Kit, STT (not shown)
**	01411	DVD Video, Tips for Safe Operation of Your Scag Zero-Turn Mower (not shown)

IMPORTANT ADJUSTMENT PROCEDURES
READ OPERATORS MANUAL FOR MORE DETAILS
 Check tire pressure - (Drive tires-12 psi, Caster tires-Flat Free)

HYDRAULIC FLUID LEVEL
 Check hydraulic fluid level while fluid is cool. Fluid level should be 3" below top of filler neck. Fill with SAE 20W50 motor oil only.

IMPORTANT
 Do not overfill. Room for hot fluid expansion must be allowed or resulting expansion may cause leaks in the system.

IMPORTANT
 Gearbox Lubricant: SAE 80W90 gear oil

IMPORTANT
DRIVESHAFT MAINTENANCE
 Grease yokes 3-4 pumps Every 200 hours
 Grease spline 8-10 pumps Every 50 hours

NEUTRAL ADJUSTMENT
 Loosen jam nuts
 Rotate turnbuckle
 With an operator in the seat, engine running, control levers in neutral and the parking brake disengaged, adjust control linkage. Loosen jam nuts. If wheel rotates forward, adjust turnbuckle CCW. If wheel rotates rearward, adjust turnbuckle CW. Adjust until drive wheel stops turning. Tighten jam nuts. Repeat for opposite side.

TRACKING ADJUSTMENT
 If the machine pulls to the right, adjust LH control linkage CCW to slow left wheel. If the machine pulls to the left, adjust RH control linkage CCW to slow right wheel. Readjust neutral if necessary.

FREE WHEEL OPERATION
 To move machine without running the engine, rotate both dump valves located on the LH side of the pumps CCW 1/2 turn to "Freeheel" positions. Return dump valves to original position to operate the mower. Tighten to 7-10 ft-lbs.

15

WARNING

AVOID SERIOUS INJURY OR DEATH

- Read the Operators Manual
- Solicite etiquetas en español a un distribuidor Scag
- Operate only on slopes you can back up & never on slopes greater than 15 degrees
- If machine stops going uphill, stop blades and back down slowly
- Avoid sudden turns
- Do not mow when children or others around
- Never carry children even with blades of
- Look down and behind before & while backing
- Keep safety devices (guards, shields, switches, etc.) in place and working
- Remove objects that could be thrown by the blades
- Trained operators only

484321

14



16



17

WARNING

DO NOT OPERATE WITHOUT DISCHARGE CHUTE, MULCHING KIT, OR ENTIRE GRASS CATCHER INSTALLED

21



20

WARNING

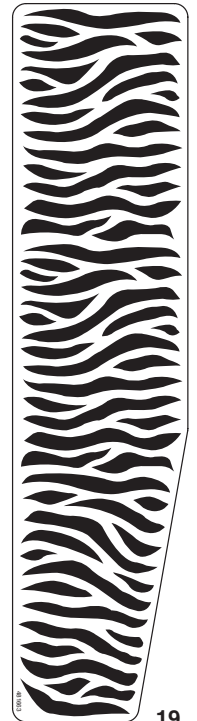
Replace seat only with Scag approved seat with seat mounting provisions and Scag approved seat belts.

Failure to follow these directions could result in injury or death in the event of a rollover.

27



18



19

ELECTRICAL SCHEMATIC (KOHLER 31HP - EFI)

