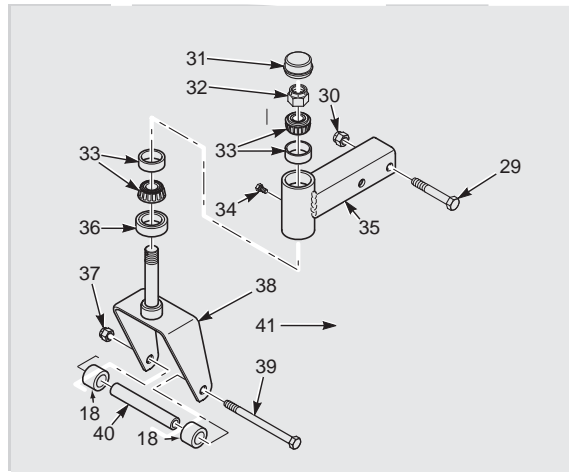


# SCAG<sup>®</sup>

## POWER EQUIPMENT



# MODEL STT

## ILLUSTRATED PARTS LIST

THIS MANUAL CONTAINS THE ILLUSTRATED PARTS LIST FOR MODELS:

<b>STT52V-27CH</b>	with a serial number of D7400001 to D7499999
<b>STT61V-27CH</b>	with a serial number of D7500001 to D7599999
<b>STT61V-27KA</b>	with a serial number of D7600001 to D7699999
<b>STT61V-29DFI-SS</b>	with a serial number of D7700001 to D7799999
<b>STT61V-35BV-SS</b>	with a serial number of D7800001 to D7899999
<b>STT-29DFI-SS</b>	with a serial number of D8100001 to D8199999
<b>STT-35BV-SS</b>	with a serial number of D8200001 to D8299999
<b>SMT-52V</b>	with a serial number of D9400001 to D9499999
<b>SMT-61V</b>	with a serial number of D9500001 to D9599999
<b>SMT-61V (BVAC, BV)</b>	with a serial number of D9900001 to D9999999
<b>SMST-72A</b>	with a serial number of E0000001 to E0099999

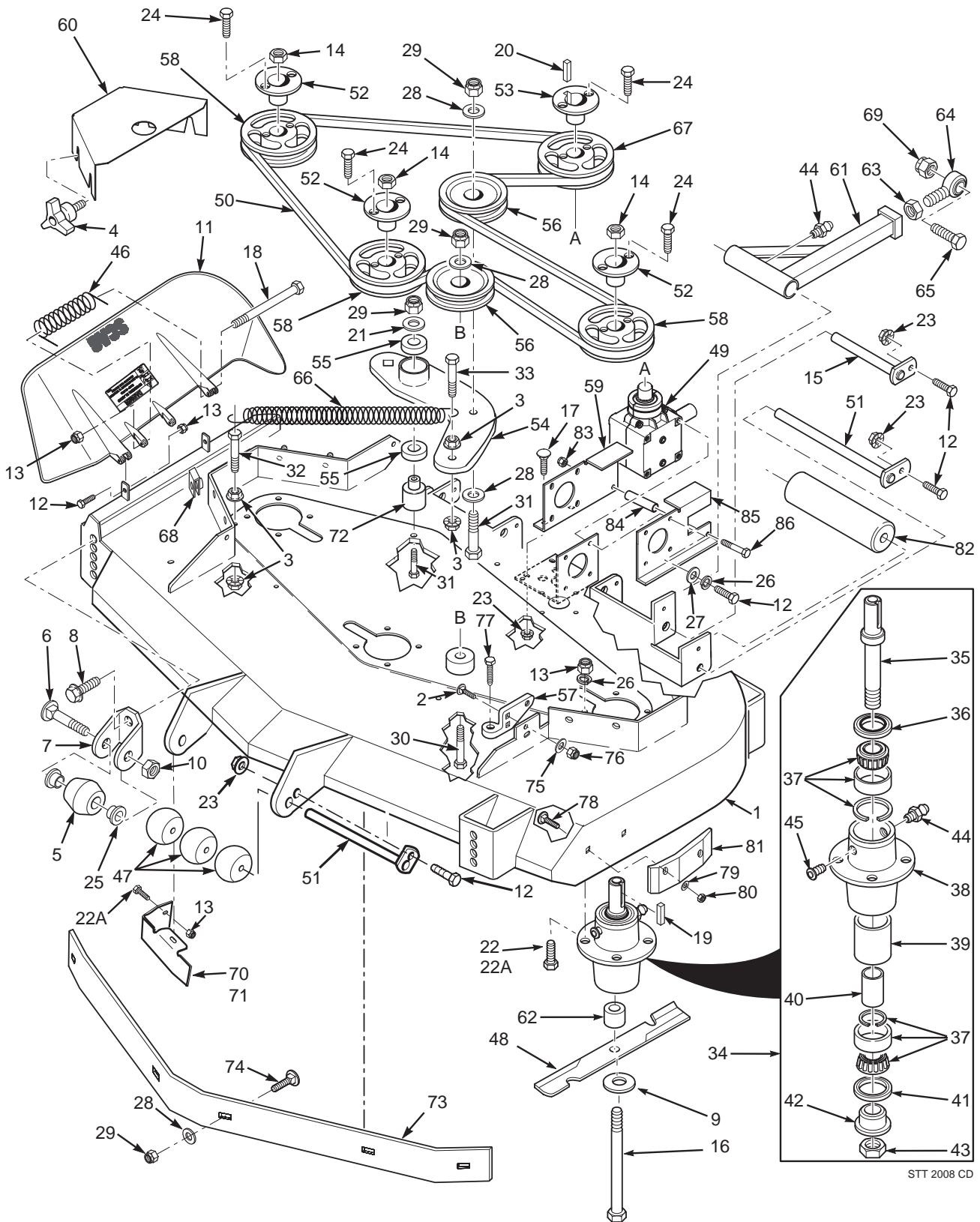




## ILLUSTRATED PARTS LIST TABLE OF CONTENTS

<b>SUBJECT</b>	<b>PAGE</b>
STT52V, STT61V Cutter Deck .....	2-3
STT72A Cutter Deck .....	4-5
Cutter Deck Controls .....	6-7
Sheet Metal Components .....	8-9
STT Roll Over Protection System without Suspension Seat .....	10-11
STT Roll Over Protection System with Suspension Seat .....	12-13
Deck Drive Components .....	14-15
Engine and Attaching Parts (Kohler) .....	16-17
Engine and Attaching Parts (Kawasaki 27HP, 29DFI) .....	18-19
Engine and Attaching Parts (Briggs & Stratton 35BV) .....	20-21
Brake and Steering Components .....	22-23
Fuel and Hydraulic System .....	24-25
Fuel and Hydraulic System (Kawasaki 29DFI) .....	26-27
Hydraulic Pump (BDP-16A) .....	28-29
Hydraulic Pump (BDP-16 w/Cooling Fan) .....	30-31
Electrical System (Kohler) .....	32-33
Electrical System (Kawasaki 27HP & Briggs & Stratton 35BV) .....	34-35
Electrical System (Kawasaki 29DFI) .....	36-37
Replacement Decals .....	38-39
Electrical Schematic (Kohler) .....	40
Electrical Schematic (Kawasaki 27HP) .....	41
Electrical Schematic (Kawasaki 29DFI) .....	42
Electrical Schematic (Briggs & Stratton 35BV) .....	43

### 52V & 61V CUTTER DECKS

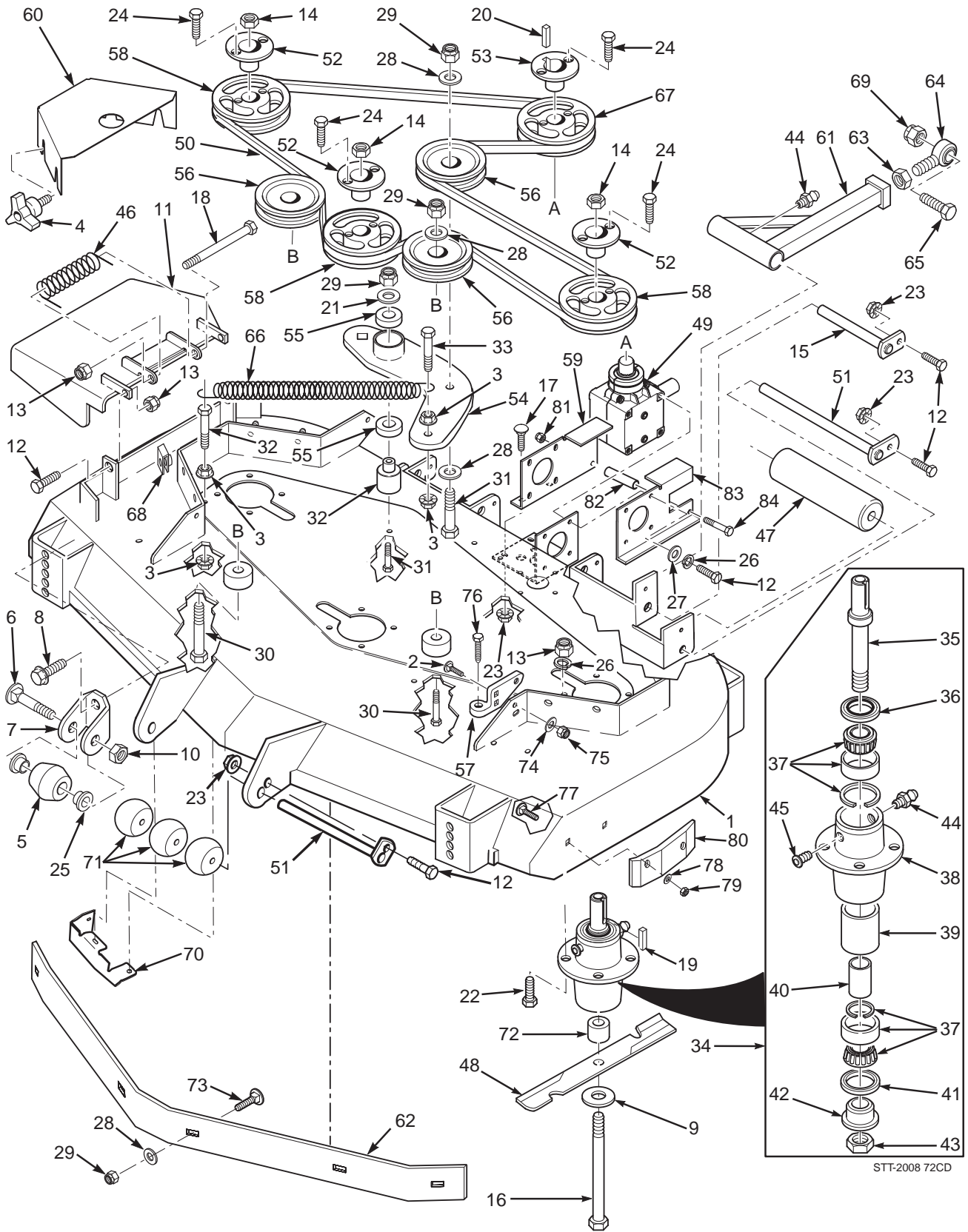


STT 2008 CD

52V & 61V CUTTER DECKS

Ref. Part No.	Part No.	Description	52	61	Ref. Part No.	Part No.	Description	52	61
1	461859	Cutter Deck Velocity Plus	x		46	483378	Spring, Discharge Chute	x	x
	461863	Cutter Deck Velocity Plus		x	47	482295	Wheel, Anti-Scalp	x	x
2	04003-40	Bolt, Carriage 7/16-14 x 1-1/4"	x	x	48	482878	Cutter Blade, 18"		x
3	04019-04	Nut, Hex Serrated Flange 3/8-16	x	x		482879	Cutter Blade, 21"		x
4	481625-01	Wing nut, 3/8-16	x	x		482881	Cutter Blade, 21" (BV, BVAC Only)		x
5	481632	Anti-Scalp Wheel	x	x	49	482486	Gearbox Assembly, Deck Drive	x	x
6	04003-26	Bolt, Carriage 3/8-16 x 4"	x	x	50	482281	Belt, Cutter Deck Drive	x	
7	422478	Anti-Scalp Wheel Bracket	x	x		481558	Belt, Cutter Deck Drive		x
8	04017-27	Bolt, Hex Serrated Flange 3/8-16 x 1"	x	x	51	45944	Roller Shaft	x	x
9	04043-06	Flatwasher, 5/8" Hardened	x	x	52	48926	Tapered Hub, 1-1/8" Bore	x	x
10	04021-05	Locknut, 3/8-16 Center Lock	x	x	53	48141	Tapered Hub, 1" Bore	x	x
11	461845	Discharge Chute	x		54	461842	Idler Arm, Cutter Deck	x	x
	461846	Discharge Chute		x	55	48224	Bearings, Ball	x	x
12	04001-11	Bolt, Hex Head 5/16-18 x 1-3/4" - Front	x	x	56	483215	Pulley, Idler	x	x
	04001-12	Bolt, Hex Head 5/16-18 x 1-1/2" - Rear	x	x	57	461929	Lever Assembly, Deck Level (Incl. 77)	x	x
13	04021-22	Nut, Hex Elastic Stop 5/16-18 Grade 8	x	x	58	482744	Pulley, 5.75 O.D. (52')	x	
14	04020-09	Nut, 5/8-11 UNC	x	x		482745	Pulley, 6.35 O.D. (61")		x
15	451240	Push Arm Shaft	x	x	59	424798	Mounting Plate, RH Gearbox	x	x
16	04001-41	Bolt, Hex Head 5/8-11 x 9-1/2"	x	x	60	422412	Belt, Cover	x	
17	04003-12	Bolt, Carriage 5/16-18 x 3/4"	x	x		424325	Belt, Cover		x
18	04001-108	Bolt, Hex Head 5/16-18 x 4-1/2"	x	x	61	461516	Pusharm (incl. items 44, 63 & 64)	x	x
19	04063-08	Key, 1/4 x 1/4 x 2"	x	x	62	43590	Spacer, Spindle Bottom	x	x
20	04063-01	Key, 1/4 x 1/4 x 1-1/4"	x	x	63	04020-16	Nut, Hex Head 5/8-18 UNF	x	x
21	04043-04	Flatwasher, 3/8-.39 x .938 x .105 HD	x	x	64	48763	Rod End, 5/8" Male RH Thread	x	x
22	04001-176	Bolt, Hex Head 5/16-18 x 1-3/4"	x	x	65	04001-79	Bolt, Hex Head 5/8-11 x 4-1/2"	x	x
23	04019-03	Nut, Hex Serrated Flange 5/16-18	x	x	66	481597	Spring, Cutter Deck	x	x
24	04001-172	Bolt, Hex Head 1/4-20 x 1" Grade 8	x	x	67	482747	Pulley, 6.95 O.D.	x	
25	48100-15	Bushing, .376 I.D. Oilite	x	x		482746	Pulley, 6.75 O.D.		x
26	04030-03	Lockwasher, 5/16"	x	x	68	04110-03	U-Nut, 3/8-16	x	x
27	04040-15	Flatwasher, 5/16" (.375 x .875 x .083)	x	x	69	04021-13	Nut, Hex Elastic Stop 5/8-11	x	x
28	04041-07	Flatwasher, 3/8" (.391 x .938 x .105)	x	x	70	424208	Discharge Baffle 52V		x
29	04021-09	Nut, Hex Elastic Stop 3/8-16	x	x	71	424209	Discharge Baffle 61V		x
30	04001-62	Bolt, Hex Head 3/8-16 x 3-1/4"	x	x	72	43681	Pivot, Idler - Short	x	x
31	04001-54	Bolt, Hex Head 3/8-16 x 3"	x	x	73	424174	Baffle, Custom Cut 52V	x	
32	04001-20	Bolt, Hex Head 3/8-16 x 1-1/2"	x	x		424164	Baffle, Custom Cut 61V		x
33	04001-136	Bolt, Hex Head 3/8-16 x 1-1/2" Grade 8	x	x	74	04003-23	Bolt, Carriage 3/8-16 x 1"	x	x
34	461663	Spindle Assembly	x	x	75	04040-11	Flatwasher, 7/16-.500 x 1.25 x .083	x	x
35	43589	Spindle Shaft	x	x	76	04021-11	Nut, Elastic Stop 7/16-14	x	x
36	481024	Seal, Top	x	x	77	483167	Bolt, Deck Adjust	x	x
37	481022	Bearing Assembly	x	x	78	04003-12	Bolt, Carriage 5/16-18 x 3/4"	x	x
38	43644	Spindle Housing	x	x	79	04040-04	Flatwasher, 5/16"	x	x
39	43312	Spacer, Outside	x	x	80	04021-04	Nut, Center Lock 5/16-18	x	x
40	43296	Spacer, Inside	x	x	81	483176	Wear Pad	x	x
41	481025	Seal, Bottom	x	x	82	48038	Wheel, Anti-Scalp	x	x
42	43297	Spindle Bushing, Bottom	x	x	83	04021-10	Nut, Elastic Stop 5/16-18	x	x
43	481035	Nut, Special 1-1/16-18	x	x	84	43763	Spacer, Gearbox Mount	x	x
44	48114-04	Grease Fitting	x	x	85	424799	Mounting Plate, LH Gearbox	x	x
45	48677	Relief Fitting, Tapered Spindle	x	x	86	04001-154	Bolt, Hex Head 5/16-18 x 4-3/4"	x	x

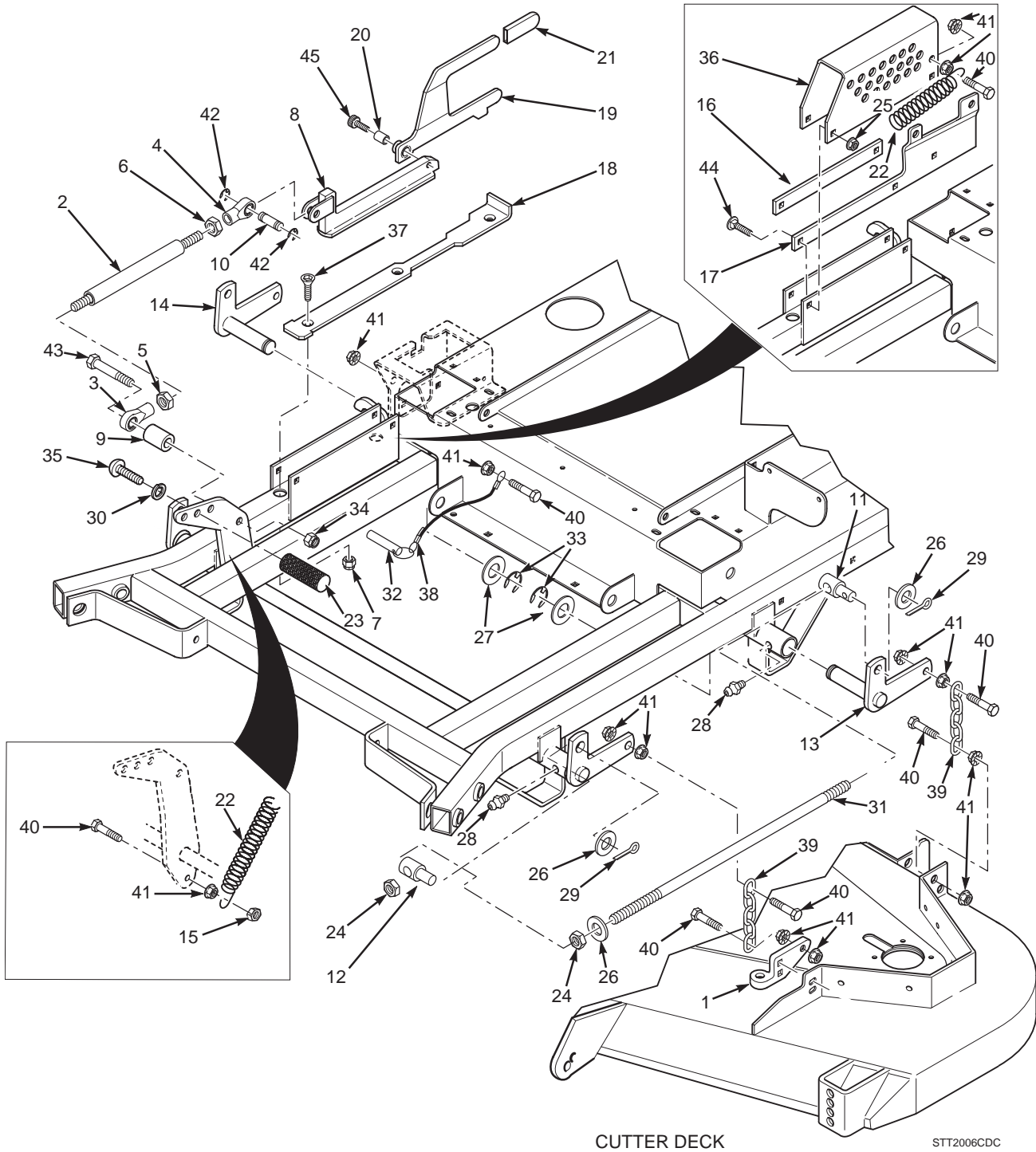
### 72A CUTTER DECK



72A CUTTER DECK

Ref. Part No. No.	Description	Ref. Part No. No.	Description		
1	461865	Cutter Deck, 72" Advantage (Includes Decals)	43	481035	Nut, Special 1 - 1/16-18
2	04003-40	Bolt, Carriage 7/16-14 x 1-1/4"	44	48114-04	Grease Fitting
3	04019-04	Nut, Hex Serrated Flange 3/8-16	45	48677	Relief Fitting, Tapered Spindle
4	481625-01	Wing Nut, 3/8-16	46	482245	Spring, Discharge Chute
5	481632	Anti-Scalp Wheel	47	48038	Guide, Roller
6	04003-26	Bolt, Carriage 3/8-16 x 4"	48	482882	Cutter Blade, 24.5" 72"
7	422478	Anti-Scalp Wheel Bracket	49	482486	Gearbox Assembly, Deck Drive
8	04017-27	Bolt, Hex Serrated Flange 3/8-16 x 1"	50	481980	Belt, Cutter Deck Drive, 72"
9	04043-06	Flatwasher, 5/8" Hardened	51	45944	Roller Shaft
10	04021-05	Locknut, 3/8-16 Center Lock	52	48926	Tapered Hub, 1-1/8" Bore
11	461296	Discharge Chute, 72" Adv.	53	48141	Tapered Hub, 1" Bore
12	04001-12	Bolt, Hex Head 5/16-18 x 1.75" - Front	54	461842	Idler Arm, Cutter Deck
	04001.11	Bolt, Hex Head 5/16-18 x 1.50" - Rear	55	48224	Bearings, Ball
13	04021-22	Nut, Hex Elastic Stop 5/16-18 Grade 8	56	483215	Pulley, Idler
14	04020-09	Nut, 5/8-11 UNC	57	461929	Lever Assembly, Deck Level (Incl. 77)
15	451240	Push Arm Shaft	58	482747	Pulley, 6.95 O.D. - 72"
16	04001-41	Bolt, Hex Head 5/8-11 x 9.50"	59	424798	Mounting Plate, RH Gearbox
17	04003-12	Bolt, Carriage 5/16-18 x .75"	60	422677	Belt Cover, LH - 72"
18	04001-154	Bolt, Hex Head 5/16-18 x 4.75"		422708	Belt Cover, RH - 72"
19	04063-08	Key, 1/4 x 1/4 x 2"	61	461516	Pusharm (includes items 44, 63 & 64)
20	04063-01	Key, 1/4 x 1/4 x 1.25"	62	423795	Baffle, Custom Cut 72A
21	04043-04	Flatwasher, 3/8-.39 x .938 x .105 HD	63	04020-16	Nut, Hex Head 5/8-18 UNF
22	04001-11	Bolt, Hex Head 5/16-18 x 1-3/4"	64	48763	Rod End, 5/8" Male RH Thread
23	04021-10	Nut, Hex Serrated Flange 5/16-18	65	04001-79	Bolt, Hex Head 5/8-11 x 4-1/2"
24	04001-172	Bolt, Hex Head 1/4-20 x 1" Grade 8	66	481597	Spring, Cutter Deck
25	48100-15	Bushing, .376 I.D. Oilite	67	482745	Pulley, 6.35 O.D. - 72"
26	04030-03	Lockwasher, 5/16"	68	04110-03	U-Nut, 3/8-16
27	04040-15	Flatwasher, 5/16" (.375 x .875 x .083)	69	04021-13	Nut, Hex Elastic Stop 5/8-11
28	04041-07	Flatwasher, 3/8" (.391 x .938 x .105)	70	423958	Discharge Baffle 72"
29	04021-09	Nut, Hex Elastic Stop 3/8-16	71	482295	Wheel, Anti-Scalp
30	04001-62	Bolt, Hex Head 3/8-16 x 3-1/4"	72	43590	Spacer, Spindle Bottom
31	04001-54	Bolt, Hex Head 3/8-16 x 3"	73	04003-23	Bolt, Carriage 3/8-16 x 1"
32	43681	Pivot, Idler - Short	74	04040-11	Flatwasher, 7/16-.500 x 1.25 x .083
33	04001-136	Bolt, Hex Head 3/8-16 x 1.50" Grade 8	75	04021-11	Nut, Elastic Stop 7/16-14
34	461663	Spindle Assembly	76	483167	Bolt, Deck Adjust
35	43589	Spindle Shaft	77	04003-12	Bolt, Carriage 5/16-18 x 3/4"
36	481024	Seal, Top	78	04040-04	Flatwasher, 5/16"
37	481022	Bearing Assembly	79	04021-04	Nut, Center Lock 5/16-18
38	43644	Spindle Housing	80	483174	Wear Pad
39	43312	Spacer, Outside	81	04021-10	Nut, Elastic Stop 5/16-18
40	43296	Spacer, Inside	82	43763	Spacer, Gearbox Mount
41	481025	Seal, Bottom	83	424799	Mounting Plate, LH Gearbox
42	43297	Spindle Bushing, Bottom	84	04001-154	Bolt, Hex Head 5/16-18 x 4-3/4"

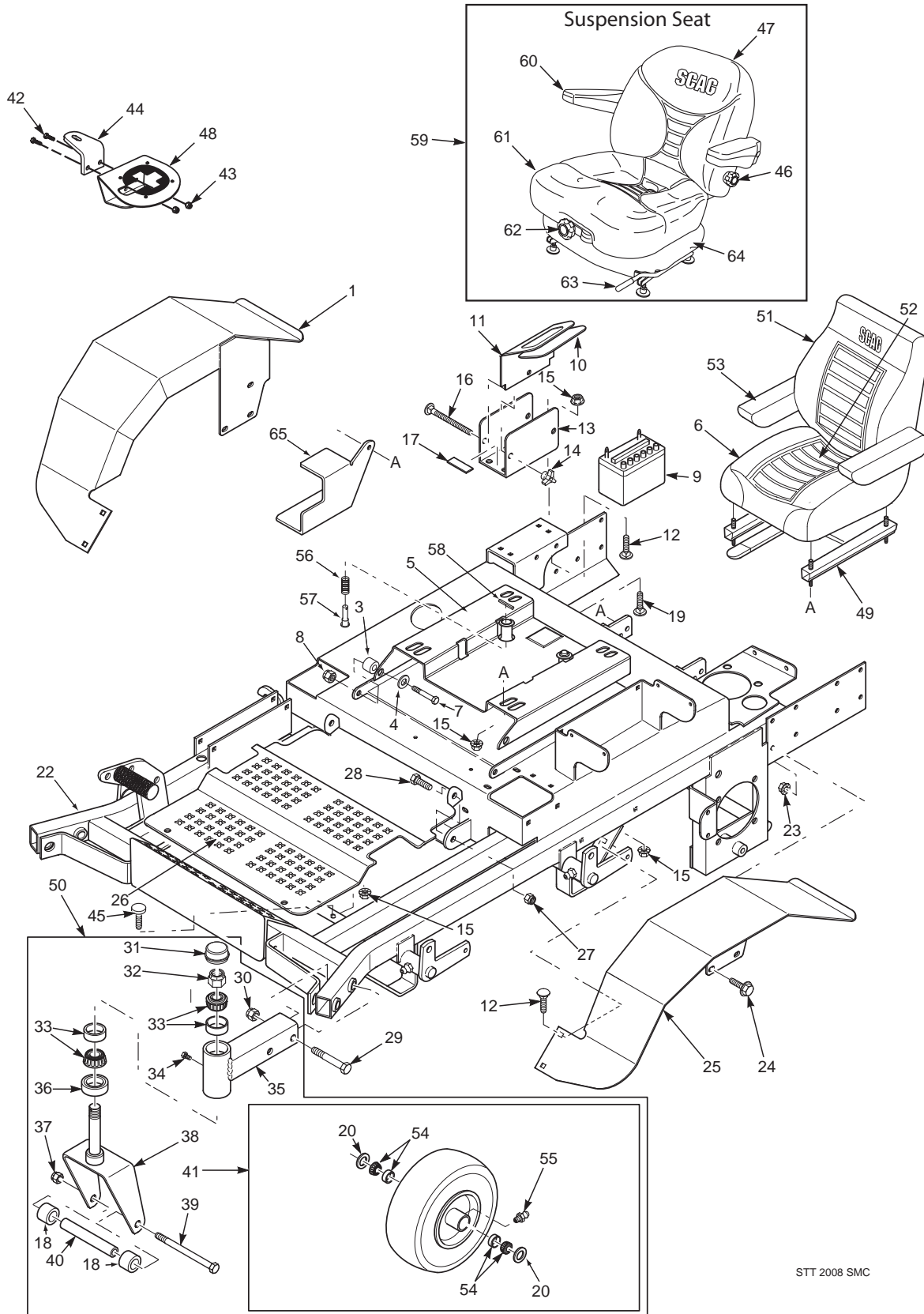
### CUTTER DECK CONTROLS



## CUTTER DECK CONTROLS

Ref. No.	Part No.	Description
1	461929	Lever Assembly, Deck Level
2	481764	Link, Deck Lift
3	481765	Rod End, Female - 1/2-20 RH
4	481766	Rod End, Female - 1/2-20 LH
5	04020-27	Nut, Jam 1/2-20 RH
6	04020-28	Nut, Jam 1/2-20 LH
7	04021-09	Nut, 3/8-16 Elastic Stop
8	482429	Slide Weldment, Height Adjustment
9	43391	Spacer, Decklift Pedal
10	43487	Pin, Decklift
11	43526	Swivel Joint, LH
12	43527	Swivel Joint, RH
13	45904	Bellcrank Weldment, LH Rear
14	45905	Bellcrank Weldment, RH Rear
15	04021-05	Locknut, 3/8-16 Center Lock
16	422381	Guide, Short
17	423509	Guide, Long
18	422346	Lockplate, Decklift
19	46975	Deck Latch (Includes items 20& 21)
20	48100-14	Bushing, .502 ID.
21	481428	Grip, Deck Latch
22	481598	Spring, Helper (61" & 72" Cutter Decks Only)
23	424504	Foot Pedal, Height Adjustment
24	04020-09	Nut, Hex 5/8-11
25	04019 -03	Nut, Hex Serrated Flange 5/16-18
26	04040-09	Flatwasher, 5/8" (.656 x 1.312 x .095)
27	04041-14	Flatwasher, 1" (1.062 x 1.50 x .048)
28	48114-04	Grease Fitting
29	04061-07	Cotter Pin, 3/16 x 1"
30	04030-07	Lockwasher, 5/8"
31	04004-44	Stud, 5/8-11 x 22.0"
32	04067-09	Ring Pin, 1/2 x 3.06"
33	04050-08	Ring, Retaining 1" External "E"
34	04021-07	Nut, Hex Elastic Stop 1/2-13
35	04105-01	Capscrew, 5/8-11 x 1-1/2"
36	423463	Bracket, Cutting Height Adjustment
37	04014-03	Screw, Cap 5/16-18 x 3" FHHS
38	481547	Lanyard, Deck Height Pin
39	48540	Chain
40	04001-20	Bolt, Hex Head 3/8-16 x 1-1/2"
41	04019-04	Nut, Hex Serrated Flange 3/8-16
42	04050-10	Ring, Retaining 1/2" External "E"
43	04001-74	Bolt, Hex Head 1/2-13 x 3"
44	04003-04	Bolt, Carriage 5/16-18 x 1"
45	04009-02	Bolt, Shoulder 1/2 x 3/4"

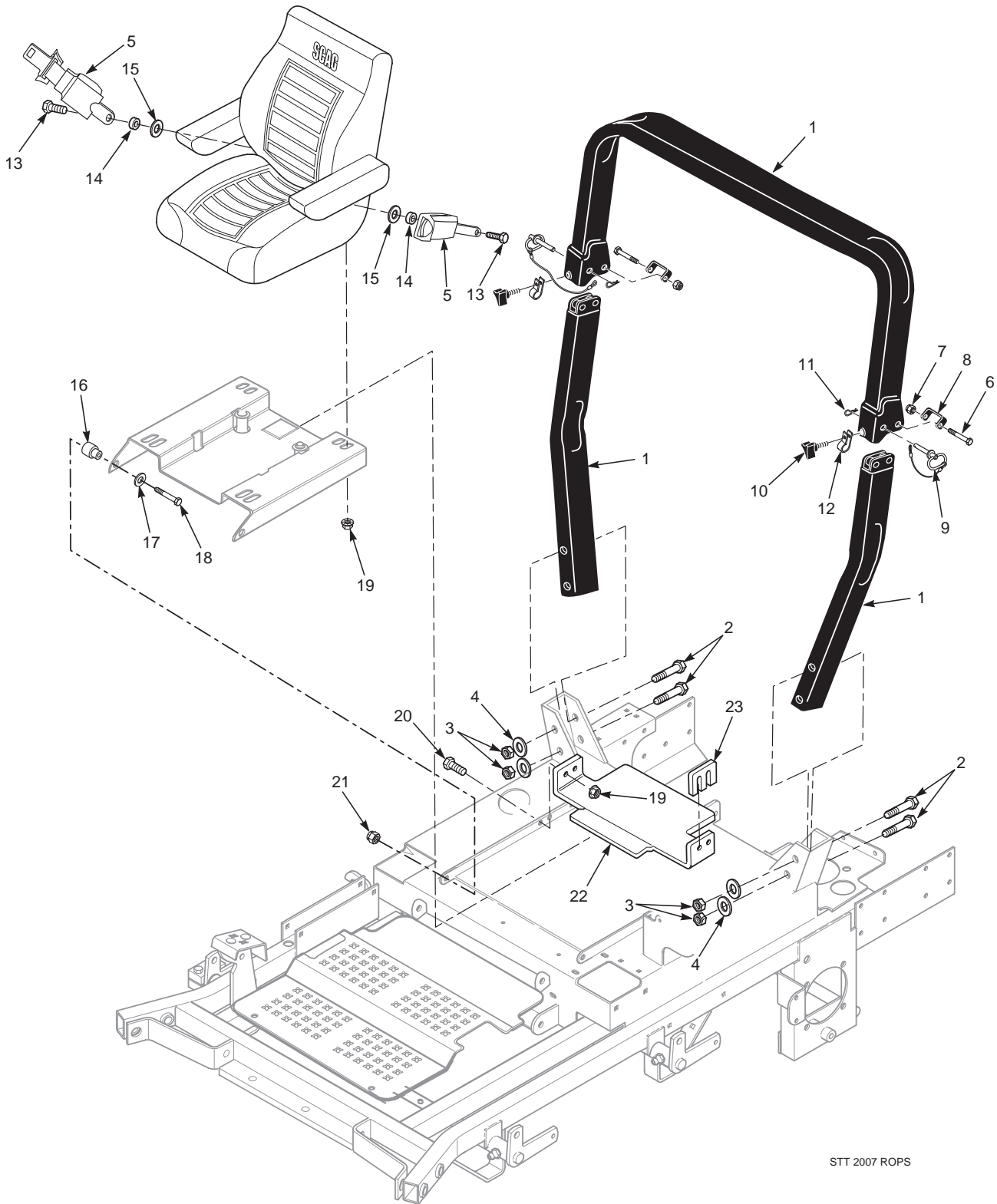
### SHEET METAL COMPONENTS



**SHEET METAL COMPONENTS**

Ref. No.	Part No.	Description	Ref. No.	Part No.	Description
1	451481	Fender Weldment, RH	45	482943	Lumbar Kit
2	04001-09	Bolt, Hex Head, 5/16-18 x 1, Zinc		482948	Knob Kit
3	43606	Spacer	46	48566	Cable, Seat Stop
4	04041-07	Flatwasher, 3/8-.391 x .938 x .105	47	482940	Back Cushion Kit
5	461967	Seat Plate Weldment	48	9240	Cup Holder Assembly
6	483384	Seat Assembly w/armrest and seat belt	49	482502	Seat Adjustment, Track Set
7	04001-45	Bolt, Hex Head 3/8-16 x 2.0"	50	461907	Caster Wheel Assy (Inc. 31 thru 43) 52V
8	04021-09	Nut, Elastic Stop 3/8-16		461908	Caster Wheel Assy (Inc. 31 thru 43) 61V (LH)
9	*	Battery (not avail. through Scag)		461909	Caster Wheel Assy (Inc. 31 thru 43) 61V (RH)
10	48903	Pad, Battery Cover		461910	Caster Wheel Assy (Inc. 31 thru 43) 72A (LH)
11	421274	Cover, Battery		461911	Caster Wheel Assy (Inc. 31 thru 43) 72A (RH)
12	04003-12	Bolt, Carriage 5/16-18 x 3/4"	51	482614	Back Cushion Cover
13	423308	Plate, Battery Box	52	482615	Seat Cushion Cover
14	04029-01	Wing Nut, 1/4-20 x 3/4"	53	482618	Arm Rest, Right Hand
15	04019-03	Nut, Hex Serrated Flange 5/16-18		482617	Arm Rest, Left Hand
16	04003-01	Bolt, Carriage 1/4-20 x 6"		482616	Arm Rest Cover
17	48661	Rubber Pad	54	482621	Bearing w/ Race
18	43584	Spacer, Caster Wheel	55	48114-10	Grease Fitting
19	04003-04	Bolt, Carriage 5/16-18 x 1"	56	481389	Spring, Seat
20	482622	Seal	57	43462	Pin Retainer, Spring
21	04021-09	Lock Nut, 3/8-16, Elast. Stop	58	04060-01	Roll Pin, Spring 5/32 x 3/4"
22	461991	Main Frame	59	483428	Suspension Seat Assembly w/seat belt
23	04019-04	Nut, Hex Serrated Flange 3/8-16	60	482950	Armrest Only
24	04017-27	Screw, Hex Serrated Flange 3/8-16 x 1"		482945	Armrest Assembly Kit, LH
25	451480	Fender Weldment, LH		482946	Armrest Assembly Kit, RH
26	423489	Foot Plate	61	482941	Seat Cushion Kit
27	04021-09	Nut, Hex Elastic Stop 3/8-16		482944	Seat Drain Kit (Included with Seat Cushion)
28	04001-19	Bolt, Hex Head 3/8-16 x 1"	62	482948	Weight Adjustment Kit
29	04001-125	Bolt, Hex Head 5/8-11 x 4"		482948	Knob Kit
30	04021-13	Nut, Hex Elastic Stop 5/8-11	63	482952	Seat Adjustment, Track Set
31	481559	Cap, Grease	64	482942	Shock Absorber Kit
32	04021-20	Nut, Hex Elastic Stop 1.0-14	65	424819	Guard, Fuel Line
33	481657	Bearing W/Race			
34	482028-01	Plug, 1/4-28 THD Form			
35	451450	Extention Weldment, Caster 52V			
	451825	Extention Weldment, Caster 61V (LH)			
	451451	Extention Weldment, Caster 61V (RH)			
	451452	Extention Weldment, Caster 72A (LH)			
	451453	Extention Weldment, Caster 72A (RH)			
36	481025	Seal, 2.00 OD. x 1.625 Bore			
37	04021-07	Nut, Hex Elastic Stop 1/2-13			
38	45934	Yoke Weldment, Caster (52V)			
	451416	Yoke Weldment, Caster (61V & 72A)			
39	04001-134	Bolt, Hex Head 1/2-13 x 7-1/2" (52V)			
	04001-167	Bolt, Hex Head 1/2-13 x 9-1/2" (61V & 72A)			
40	43581	Sleeve, Caster Wheel (52V)			
	43583	Sleeve, Caster Wheel (61V, 72A)			
41	9277	Wheel Assy, 52V (Inc.items 20, 54, 55)			
	9278	Wheel Assy, 61V, 72A (Inc. 20, 54, 55)			
42	04001-01	Bolt, Hex Head 1/4-20 x 3/4"			
43	04001-01	Bolt, Hex Head 1/4-20 x 3/4"			
44	423674	Mounting Bracket, STT Cup Holder			

### STT ROLL-OVER PROTECTION SYSTEM - WITHOUT SUSPENSION SEAT

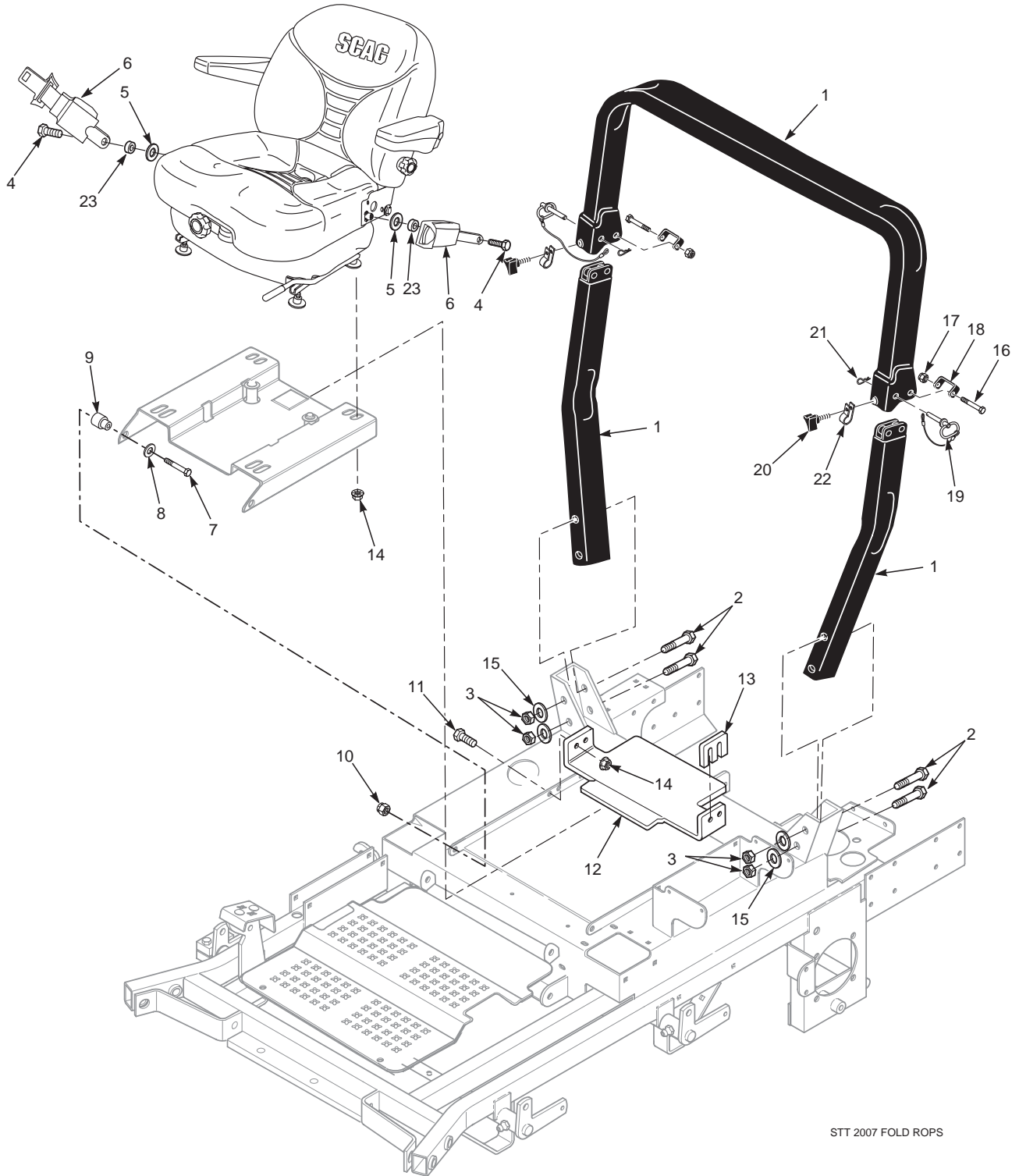


STT 2007 ROPS

## STT ROLL-OVER PROTECTION SYSTEM - WITHOUT SUSPENSION SEAT

Ref. Part No. No.	Description
1 9514	STT, ROPS Accessory (incl. all items below)
2 04001-82	Bolt, Hex Head 1/2-13 x 4-1/2"
3 04021-19	Nut, Center Lock 1/2-13
4 04040-13	Flatwasher, 1/2-.562 x 1.375 x .109
5 483594	Retractable Seat Belt
6 04001-145	Bolt, Hex Head 1/2-13 x 3-1/2"
7 04021-19	Nut, Center Lock 1/2-13
8 424407	Bracket, Stop
9 483262	Pin
10 481625-03	Thumb Screw, 5/16-18 NC x 3/4"
11 04062-06	Hair Pin, Cotter
12 483265	Clamp
13 04001-178	Bolt, Hex Head 7/16-20 x 1"
14	Spacer
15 04040-11	Flatwasher, 7/16-.500 x 1.25 x .083
16 43606	Sleeve, Seat Base Mounting
17 04041-07	Flatwasher, 3/8-.391 x .938 x .105
18 04001-45	Bolt, Hex Head 3/8-16 x 2"
19 04019-03	Nut, Serrated Flange 5/16-18
20 04001-09	Bolt, Hex Head 5/16-18 x 1"
21 04021-09	Nut, Elastic Stop 3/8-16
22 461968	Bracket, Seat Hold Down w/Decal
23 424193	Spacer, Seat Hold Down

### STT ROLL-OVER PROTECTION SYSTEM - WITH SUSPENSION SEAT

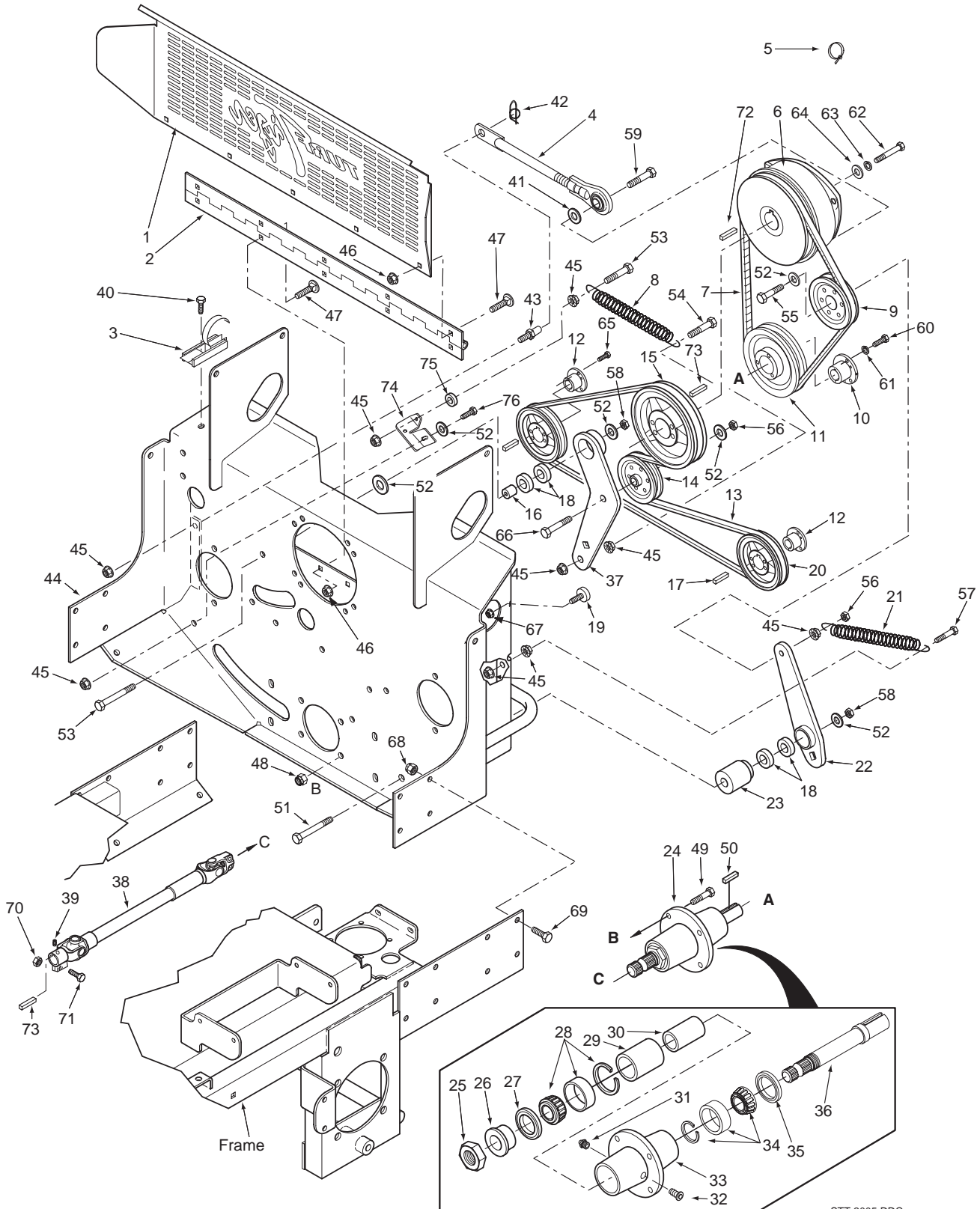


STT 2007 FOLD ROPS

**STT ROLL-OVER PROTECTION SYSTEM - WITH SUSPENSION SEAT**

<b>Ref. Part No. No.</b>	<b>Description</b>
1 9514	STT, ROPS Accessory (incl. all items below)
2 04001-82	Bolt, Hex Head 1/2-13 x 4-1/2"
3 04021-19	Nut, Center Lock 1/2-13
4 04001-178	Bolt, Hex Head 7/16-20 x 1"
5 04040-11	Flatwasher, 7/16-.500 x 1.25 x .083
6 483594	Retractable Seat Belt
7 04001-45	Bolt, Hex Head 3/8-16 x 2"
8 04041-07	Flatwasher, 3/8-.391 x .938 x .105
9 43606	Sleeve, Seat Base Mounting
10 04021-09	Nut, Elastic Stop 3/8-16
11 04001-09	Bolt, Hex Head 5/16-18 x 1"
12 461968	Bracket, Seat Hold Down with Decal
13 424193	Spacer, Seat Hold Down
14 04019-03	Nut, Serrated Flange 5/16-18
15 04040-13	Flatwasher, 1/2-.562 x 1.375 x .109
16 04001-145	Bolt, Hex Head 1/2-13 x 3-1/2"
17 04021-19	Nut, Center Lock 1/2-13
18 424407	Bracket, Stop
19 483262	Pin
20 481625-03	Thumb Screw, 5/16-18 NC x 3/4"
21 04062-06	Hair Pin, Cotter
22 483265	Clamp
23	Spacer

### DECK DRIVE COMPONENTS

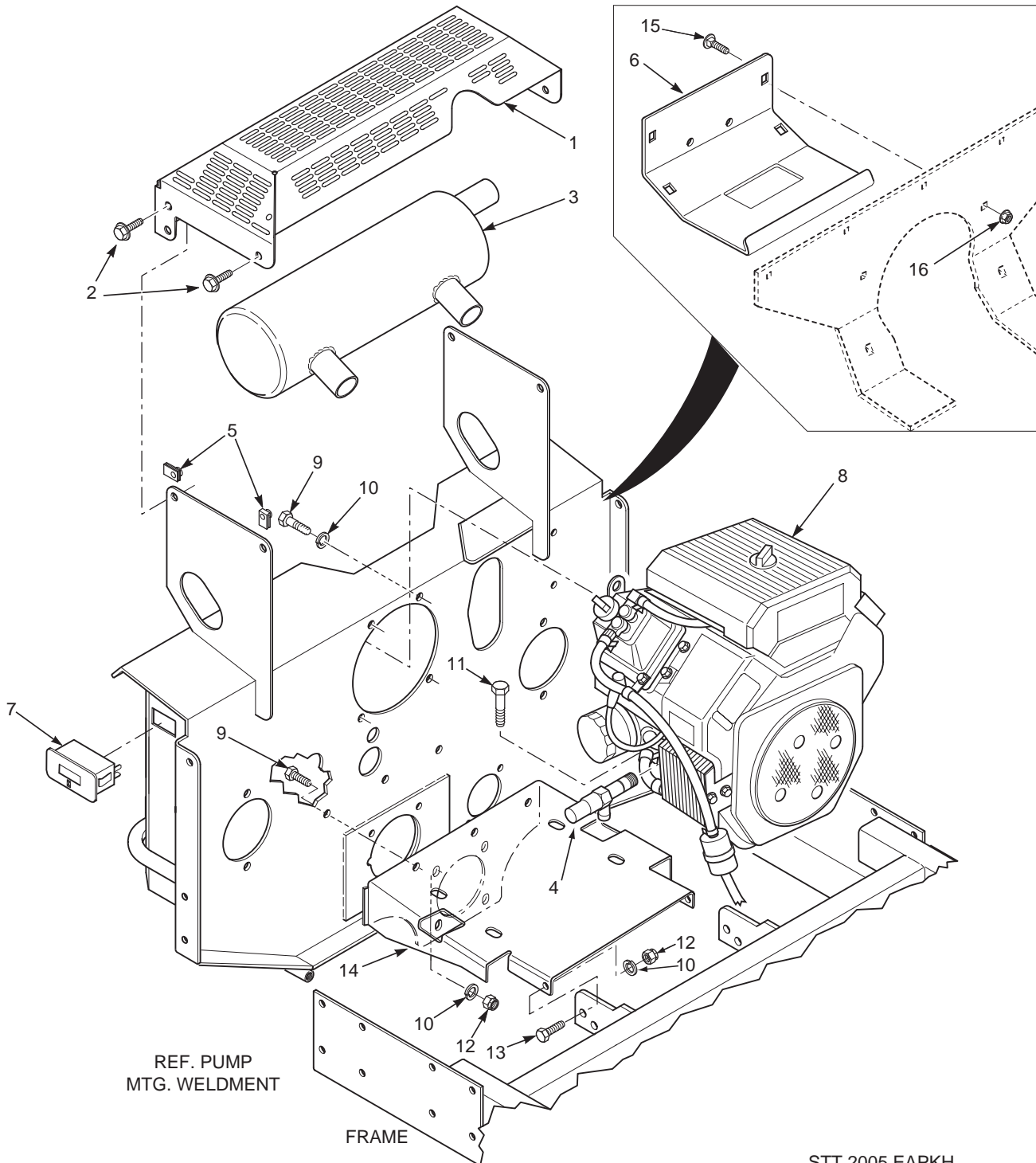


STT 2005 DDC

**DECK DRIVE COMPONENTS**

Ref. Part No.	Part No.	Description	Ref. Part No.	Part No.	Description
1	423925	Belt Guard, Rear	37	461608	Idler Arm Weldment, Pump Drive
2	481531	Hinge, Belt Guard	38	482424	Driveshaft (Air-Cooled Engine)
3	481309	Latch, Hood		482438	Driveshaft (Liquid-Cooled Engine)
4	482845	Rod Assembly, Clutch Anti-Rotation	39	04012-08	Set Screw, 3/8-16 x 3/4" Torx Socket
5	48030-09	Clamp, Cable	40	04011-11	Screw, #10-32 x .56
6	461661	Clutch, Ogura GT-3.5	41	04041-07	Flatwasher, 3/8-.391 x .938 x .105
	461662	Clutch, Ogura GT-5 (35BV)	42	04069-01	Pin, Rue Cotter 3/8 Dia.
7	482876	Belt, Deck Drive	43	43507	Stud, Anti Rotation
8	483088	Spring, Transmission Idler	44	461800	Pump Mounting Plate Weldment (Air-Cooled)
9	48181	Pulley, Idler 5" Dia.		461801	Pump Mounting Plate Weldment (Liquid-Cooled)
10	481536	Tapered Hub, 1" Bore	45	04019-04	Nut, Serrated Flange 3/8-16
11	482949	Pulley, 6.70 Tapered Bore	46	04019-02	Nut, Serrated Flange 1/4-20
12	481884	Tapered Hub, 17mm Bore	47	04003-07	Bolt, Carriage 1/4-20 x 1/2"
13	483165	Belt, Pump Drive STT	48	04021-22	Nut, Elastic Stop 5/16-18 Grade 8
	483166	Belt, Pump Drive (29DFI)	49	04001-176	Bolt, Hex Head 5/16-18 x 1-3/4" Grade 8
	483678	Belt, Pump Drive (35BV)	50	04063-06	Key, 1/4 x 1/4 x 1-1/2"
14	483214	Pulley, Idler 4" Dia.	51	04001-171	Bolt, Hex Head 3/8-16 x 4-1/2" Grade 8 Black
15	483082	Pulley, 4.55 Dia.-1.125 Bore	52	04043-04	Washer, 3/8" Hardened
	483083	Pulley, 5.15 Dia.-1.125 Bore (29DFI)	53	04001-135	Bolt, Hex Head 3/8-16 x 1-3/4" Grade 8 Black
	483675	Pulley, 5.367 Dia. - 1.125 Bore (35BV)	54	04001-136	Bolt, Hex Head 3/8-16 x 1-1/2" Grade 8 Black
16	43631	Spacer, Idler Bearing	55	04001-170	Bolt, Hex Head 3/8-16 x 2-1/2" 1.5 Thread Grd.8
17	04063-14	Key, 5.0 x 5.0 x 25mm	56	04021-05	Nut, Center Lock 3/8-16
18	48224	Ball Bearing	57	04001-136	Bolt, Hex Head 3/8-16 x 1-1/2" Grade 8 Black
19	481284	Bumper, Rubber	58	04021-09	Nut, Elastic Stop 3/8-16
20	482745	Pulley, 6.35" O.D. (29DFI Only)	59	04001-45	Bolt, Hex Head 3/8-16 x 2"
	482744	Pulley, 5.75" O.D. (35BV Only)	60	04001-109	Bolt, Hex Head 1/4-20 x 1-3/8"
21	482667	Spring, PTO	61	04030-02	Lockwasher, 1/4" Spring
22	461609	Idler Arm Weldment, PTO Drive	62	04001-101	Bolt, Hex Head 7/16-20 x 2-1/2" UNF
23	43632	Pivot, Idler PTO	63	04030-05	Lockwasher, 7/16" Spring
24	461697	Spindle Assembly, Deck Drive	64	04041-28	Flatwasher, 7/16-.469 x 1.75 x .25
25	481035	Nut, 1.06-18 Thread	65	04001-172	Bolt, Hex Head 1/4-20 x 1" Grade 8
26	43297	Spindle Bushing, Bottom	66	04001-21	Bolt, Hex Head 3/8-16 x 1-3/4"
27	481025	Seal, 2.0 OD x 1.625 Bore	67	04019-03	Nut, Serrated Flange 5/16-18
28	481022	Roller Bearing Tapered	68	04021-09	Nut, Elastic Stop 3/8-16
29	43312	Spacer, Outside	69	04001-19	Bolt, Hex Head 3/8-16 x 1"
30	43296	Spacer, Inside	70	04021-05	Nut, Center Lock 3/8-16
31	48114-04	Grease Fitting, 1/4-28	71	04001-21	Bolt, Hex Head 3/8-16 x 1-3/4"
32	48677	Relief Fitting	72	04063-02	Key, 1/4 x 1/4 x 2-1/4"
33	43644	Spindle Housing	73	04063-20	Key, 1/4 x 1/4 x 1"
34	481022	Roller Bearing Tapered	74	424138	Bracket
35	481024	Seal, 2.0 OD x 1.5 Bore	75	43063	Spacer
36	43534	Shaft, Deck Drive	76	04001-19	Bolt, Hex Head 3/8-16 x 1"

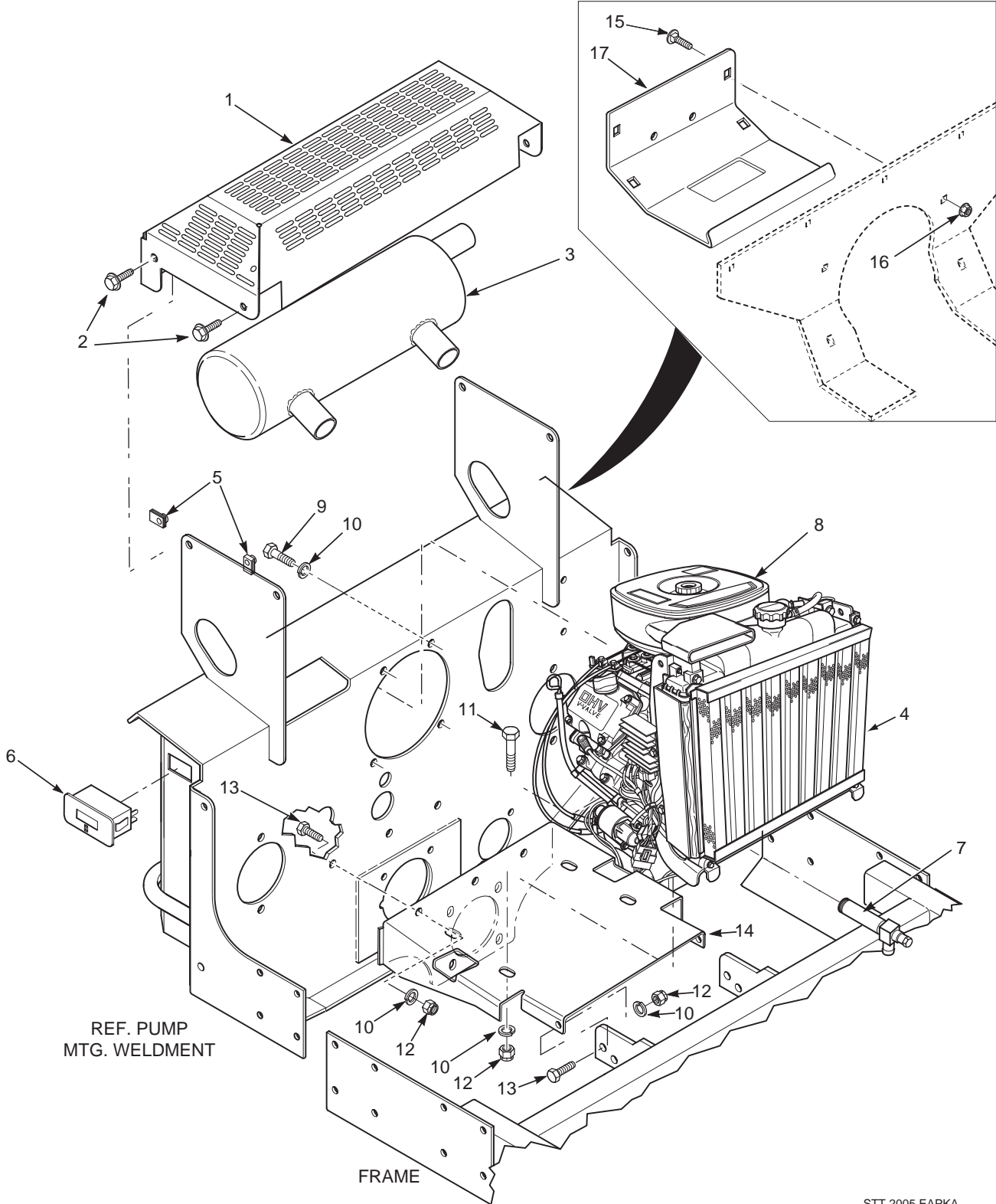
### ENGINE AND ATTACHING PARTS - KOHLER



## ENGINE AND ATTACHING PARTS - KOHLER

Ref. No.	Part No.	Description
1	422593	Muffler Guard
2	04017-05	Screw, Hex Serrated Flange 1/4-20 x 3/4"
3	*	Muffler, Part Of Engine (Available only through Kohler)
4	482510	Oil Drain Extension
5	04110-01	U-Nut, 1/4-20
6	424691	Rear Cover
7	483355	Hour Meter
8	482890	Engine, Kohler 27 CH (Available only through Kohler, Eng. Spec. PS-CH740-0041)
9	04001-19	Bolt, Hex Head 3/8-16 x 1"
10	04030-04	Lockwasher, 3/8" Spring
11	04001-21	Bolt, Hex Head 3/8-16 x 1-3/4"
12	04021-09	Nut, Hex Elastic Stop 3/8-16
13	04001-32	Bolt, Hex Head 3/8-16 x 1-1/4"
14	451459	Plate, Engine Mounting
15	04003-12	Bolt, Carriage 5/16-18 x 3/4"
16	04019-03	Nut, Hex Serrated Flange 5/16-18

### ENGINE & ATTACHING PARTS - 27HP, 29HP-DFI KAWASAKI

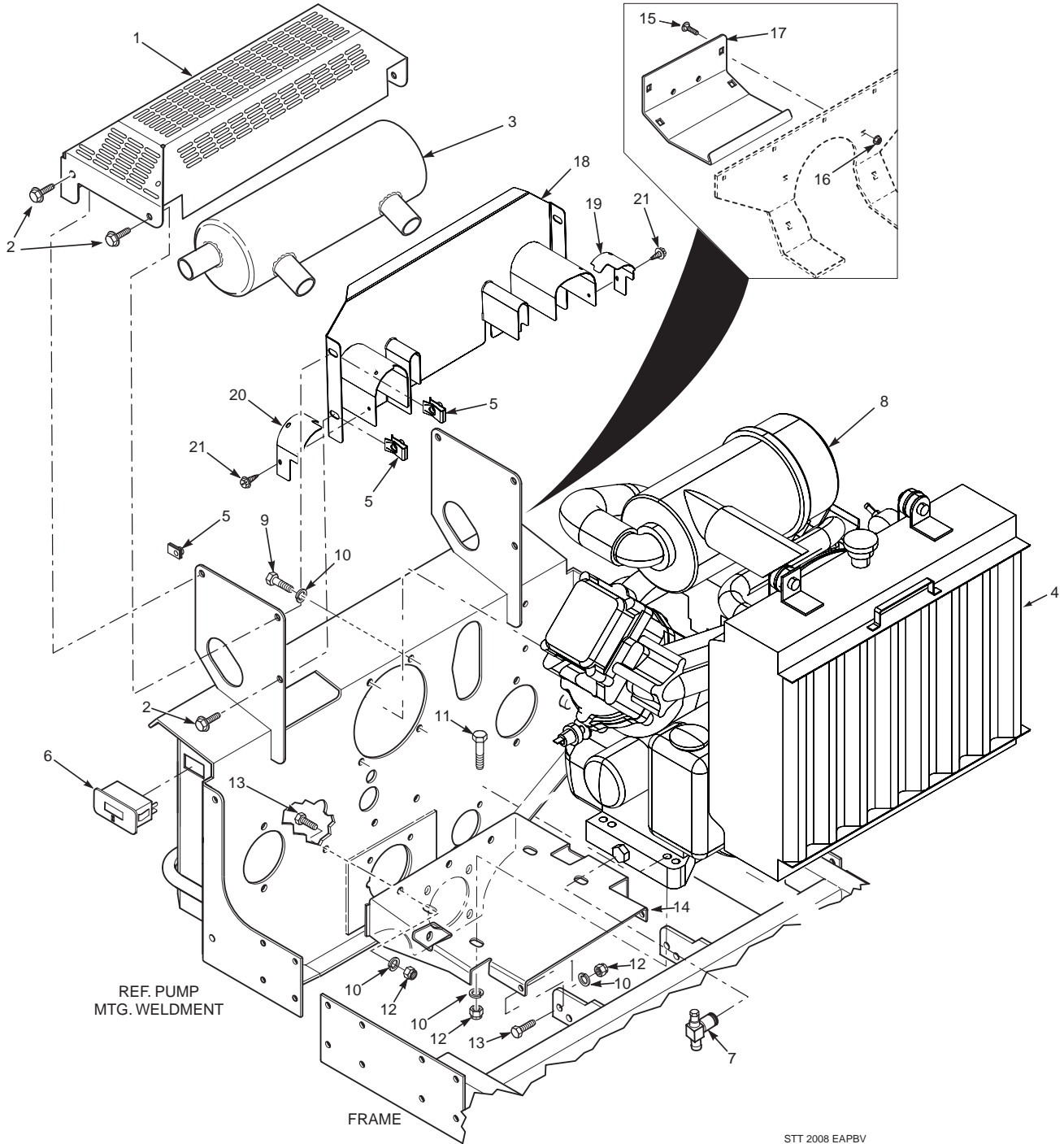


STT 2005 EAPKA

## ENGINE & ATTACHING PARTS - 27HP, 29HP-DFI KAWASAKI

Ref. No.	Part No.	Description
1	451378	Muffler Guard (Kawasaki)
2	04017-05	Screw, Hex Serrated Flange 1/4-20 x 3/4"
3	482699	Muffler (Kawasaki)
4	451421	Screen Weldment, Radiator (Kawasaki Only)
5	04110-01	U-Nut, 1/4-20
6	483355	Hour Meter
7	482351	Oil Drain, 2.6" (Kawasaki Only)
	483017	Oil Drain, (BV Only)
8	482809	Engine, Kawasaki 27KA (Available only through Kawasaki)
	482810	Engine, Kawasaki 29KA-DFI (Available only through Kawasaki)
	483258	Engine, Briggs & Stratton 35HP V-Twin Air Cooled (Avail. only through B & S)
	483045	Engine, Briggs & Stratton 35HP V-Twin Liquid Cooled (Avail. only through B & S)
9	04002-18	Bolt, M10-1.50 x 25 Grade 8.8
10	04030-04	Lockwasher, 3/8" Spring
11	04001-21	Bolt, Hex Head 3/8-16 x 1-3/4"
12	04021-09	Nut, Hex Elastic Stop 3/8-16
13	04001-32	Bolt, Hex Head 3/8-16 x 1-1/4"
14	451454	Plate, Engine Mounting
15	04003-12	Bolt, Carriage 5/16-18 x 3/4"
16	04019-03	Nut, Hex Serrated Flange 5/16-18
17	424691	Rear Cover

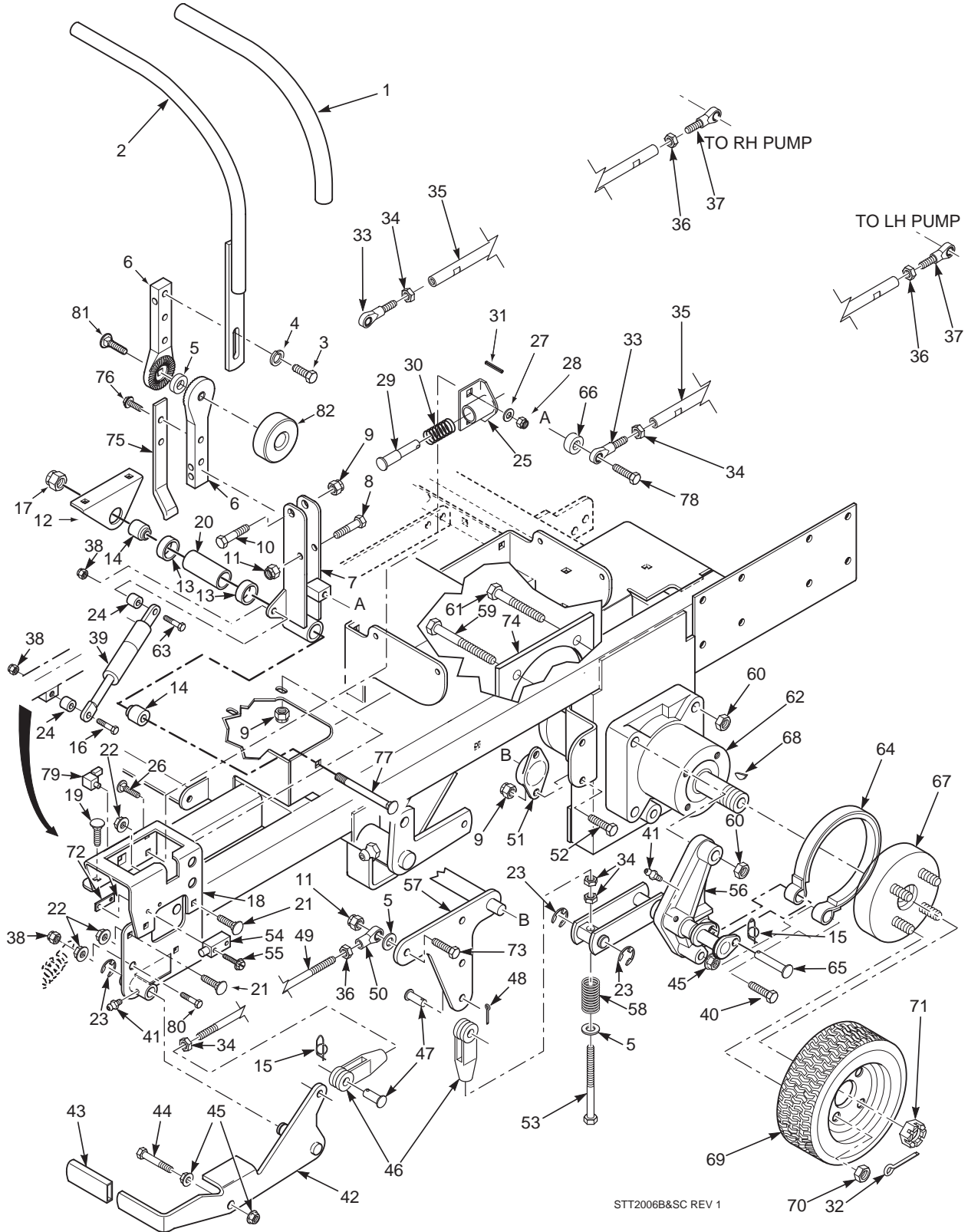
### ENGINE & ATTACHING PARTS - 35HP BRIGGS & STRATTON



**ENGINE & ATTACHING PARTS - 35HP BRIGGS & STRATTON**

Ref. No.	Part No.	Description
1	422593	Muffler Guard (35BV, Briggs & Stratton)
2	04017-05	Screw, Hex Serrated Flange 1/4-20 x 3/4"
3	482860	Muffler, Briggs & Stratton
4		Screen Weldment, Radiator (Avail. only through B & S)
5	04110-01	U-Nut, 1/4-20
6	483355	Hour Meter
7	483017	Oil Drain, (BV Only)
8	483045	Engine, Briggs & Stratton 35HP V-Twin Liquid Cooled (Avail. only through B & S)
9	04002-18	Bolt, M10-1.50 x 25 Grade 8.8
10	04030-04	Lockwasher, 3/8" Spring
11	04001-21	Bolt, Hex Head 3/8-16 x 1-3/4"
12	04021-09	Nut, Hex Elastic Stop 3/8-16
13	04001-32	Bolt, Hex Head 3/8-16 x 1-1/4"
14	451454	Plate, Engine Mounting
15	04003-12	Bolt, Carriage 5/16-18 x 3/4"
16	04019-03	Nut, Hex Serrated Flange 5/16-18
17	424691	Rear Cover
18	451949	Heatshield Weldment, Muffler
19	424805	Heatshield Ext., LH
20	424804	Heatshield Ext., RH
21	04011-15	Screw, #10 x 1/2" Self Tap

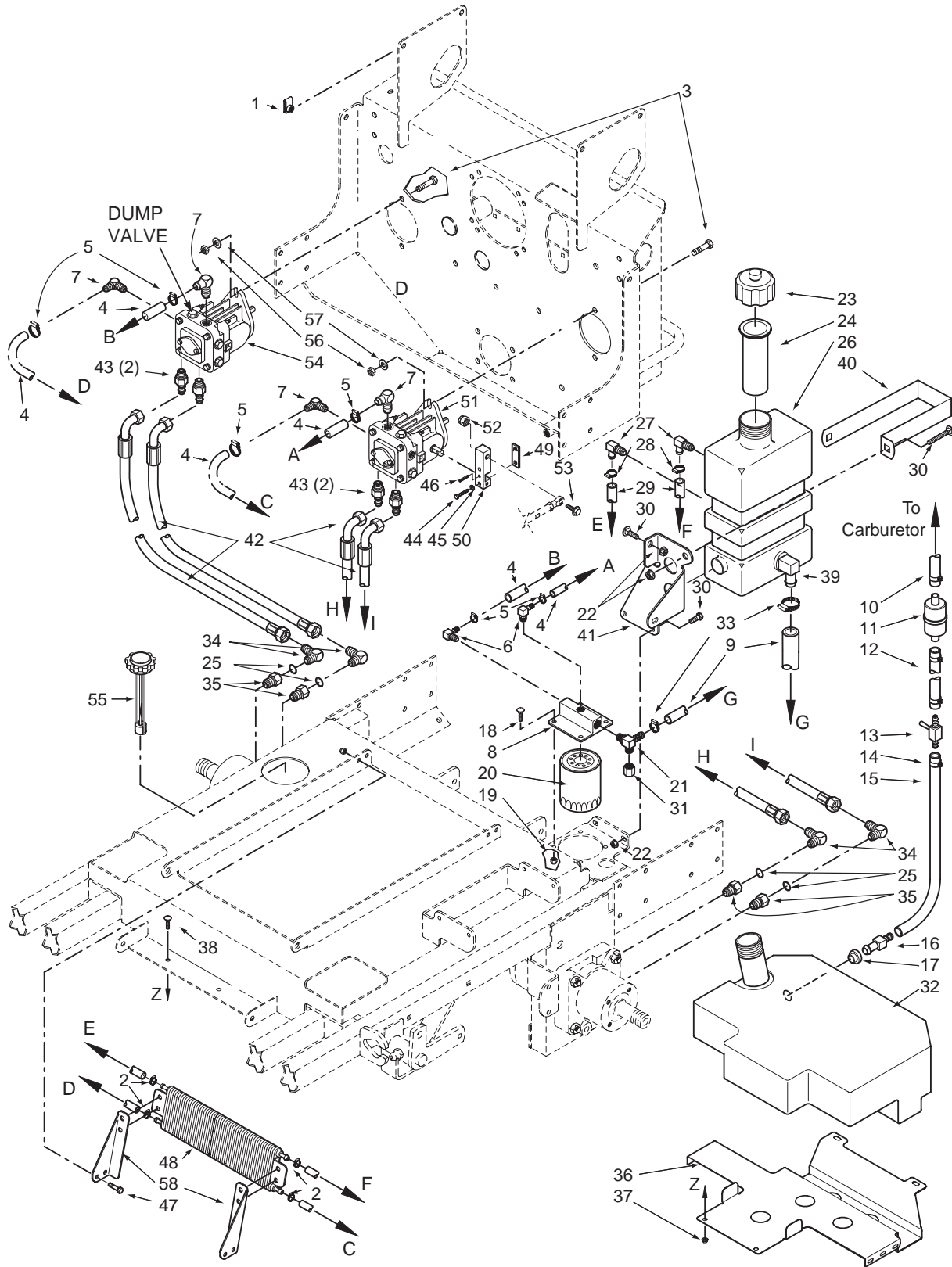
### BRAKE AND STEERING COMPONENTS



## BRAKE AND STEERING COMPONENTS

Ref. Part No. No.	Description	Ref. Part No. No.	Description		
1	482340	Grip, Handle Bar	44	04001-22	Bolt, Hex Head 3/8-16 x 2-3/4"
2	461914	Handle Bar, LH (Includes item 1)	45	04019-06	Nut, Hex Serrated Flange 1/2-13
	461923	Handle Bar, RH (Includes item 1)	46	48343-04	Clevis, Traction Control
3	04001-09	Bolt, Hex Head 5/16-18 x 1"	47	04064-02	Pin, Clevis 3/8-16 x 1-1/16"
4	04030-03	Lockwasher, 5/16"	48	04061-02	Pin, Cotter 3/32 x .75
5	483250	Rubber Spacer	49	04004-34	Rod, Parking Brake
6	483238	Bar, Control Lever	50	48544	Rod End, LH Thread
7	451483	Control Lever Weldment, LH	51	48796	Bushing, Self Align
	451484	Control Lever Weldment, RH	52	04001-08	Bolt, Hex Head 5/16-18 x 3/4"
8	04001-17	Bolt, Hex Head 5/16-18 x 2"	53	04001-147	Bolt, Hex Hd 3/8-24 x 5-1/4", 23/4" Thrd
9	04021-10	Nut, Hex Elastic Stop 5/16-18	54	481637	Switch
10	04001-45	Bolt, Hex Head 3/8-16 x 2"	55	04010-12	Screw, Hex SLTD WSHR Head #10 32 x 3/4"
11	04021-09	Nut, Hex Elastic Stop	56	451970	Brake Linkage, LH
12	423488	Mount, Control Linkage		451971	Brake Linkage, RH
13	48224	Ball Bearings, Neutral Return	57	45953	Bellcrank, Brake Actuator
14	43607	Spacer	58	48807	Spring
15	04069-01	Pin, Rue Cotter 3/8 Dia.	59	04001-163	Bolt, Hex Head 1/2-13 x 3-3/4"
16	04001-13	Bolt, Hex Head, 5/16-18 x 2.75 Zinc	60	04021-19	Locknut, Hex 1/2-13 Center Lock
17	04021-13	Nut, Hex Elastic Stop 5/8-11	61	04001-52	Bolt, Hex Head 1/2-13 x 2-1/2"
18	461601	Bracket, Control Lever LH	62	483190	Wheel Motor, Hydro-Gear 15E (27CH, 27KA)
	461602	Bracket, Control Lever RH		482639	Wheel Motor, Ross (29DFI)
19	04003-04	Bolt, Carriage 5/16-18 x 1"		483677	Wheel Motor, Hydro-Gear 18E (35BV)
20	43600	Spacer, Bearing	63	04001-12	Bolt, Hex Head, 5/16-18 x 1.75, Zinc
21	04003-12	Bolt, Carriage 5/16-18 x 3/4"	64	483644	Brake Band Assembly
22	04019-03	Nut, Hex Serrated Flange 5/16-18	65	04064-16	Pin, Clevis 3/8" Dia. x 1.93"
23	04050-01	Ring, Retaining 5/8" External "E"	66	43063	Spacer
24	43602	Spacer	67	461438	Wheel Hub/Brake Drum Assembly
25	45918	Bracket, Neutral Return	68	04063-25	Key, Woodruff 5/16 x 1"
26	04003-02	Bolt, Carriage 1/4-20 x 3/4"	69	481552	Wheel Assembly 23 x 10.5-12 (52" Only)
27	04040-14	Flatwasher, 1/4" (.312 x .750 x .065)		481659	Rim W/Valve Stem (52" Only)
28	04021-08	Nut, Hex Elastic Stop 1/4-20		481660	Tire, 23 x 10.5-12 (52" Only)
29	43477	Pin, Retaining Spring		481850	Wheel Assembly 24 x 12-12 Turf Master
30	481389	Spring		481851	Rim W/Valve Stem
31	04060-01	Roll Pin, Spring 5/32 x 3/4"		481852	Tire, 24 x 12-12 Turf Master
32	04061-06	Pin, Cotter 9/16 x 1-1/2"	70	04028-02	Lug Nut, 1/2-20
33	482586	Rod End, Male 3/8-24 RH Thread	71	48680	Nut, Hex Castle
34	04020-25	Nut, 3/8-24 RH Thread	72	422373	Threaded Plate
35	43629	Tube, Control Link Air-Cooled Engine	73	04001-20	Bolt, Hex Head 3/8-16 x 1-1/2"
	43624	Tube, Control Link Liquid-Cooled Engine	74	423279	Plate Weldment, Motor Backing
36	04020-26	Nut, Hex 3/8-24 LH Thread	75	423491	Actuator Switch
37	482585	Rod End, Male 3/8-24 LH Thread	76	04017-16	Bolt, Hex Serrated Flange 5/16-18 x 3/4"
38	04021-10	Locknut, 5/16-18, Elastic Stop	77	04003-36	Bolt, Carriage 3/8-16 x 4-3/4"
39	482794	Gas Damper	78	04001-19	Bolt, Hex Head 3/8-16 x 1"
40	04001-187	Bolt, Hex Head 1/2-13 x 2-1/2" Grade 8	79	481638	Switch
41	48114-04	Grease Fitting	80	04001-168	Bolt, Hex Head 3/8-16 x 1-1/4" Grade 8
42	461082	Lever, Parking Brake (Includes item 43)	81	04003-38	Bolt, Carriage 5/16-18 x 1-1/2"
43	481548	Grip, Parking Brake	82	483269	Knob

### FUEL AND HYDRAULIC SYSTEM



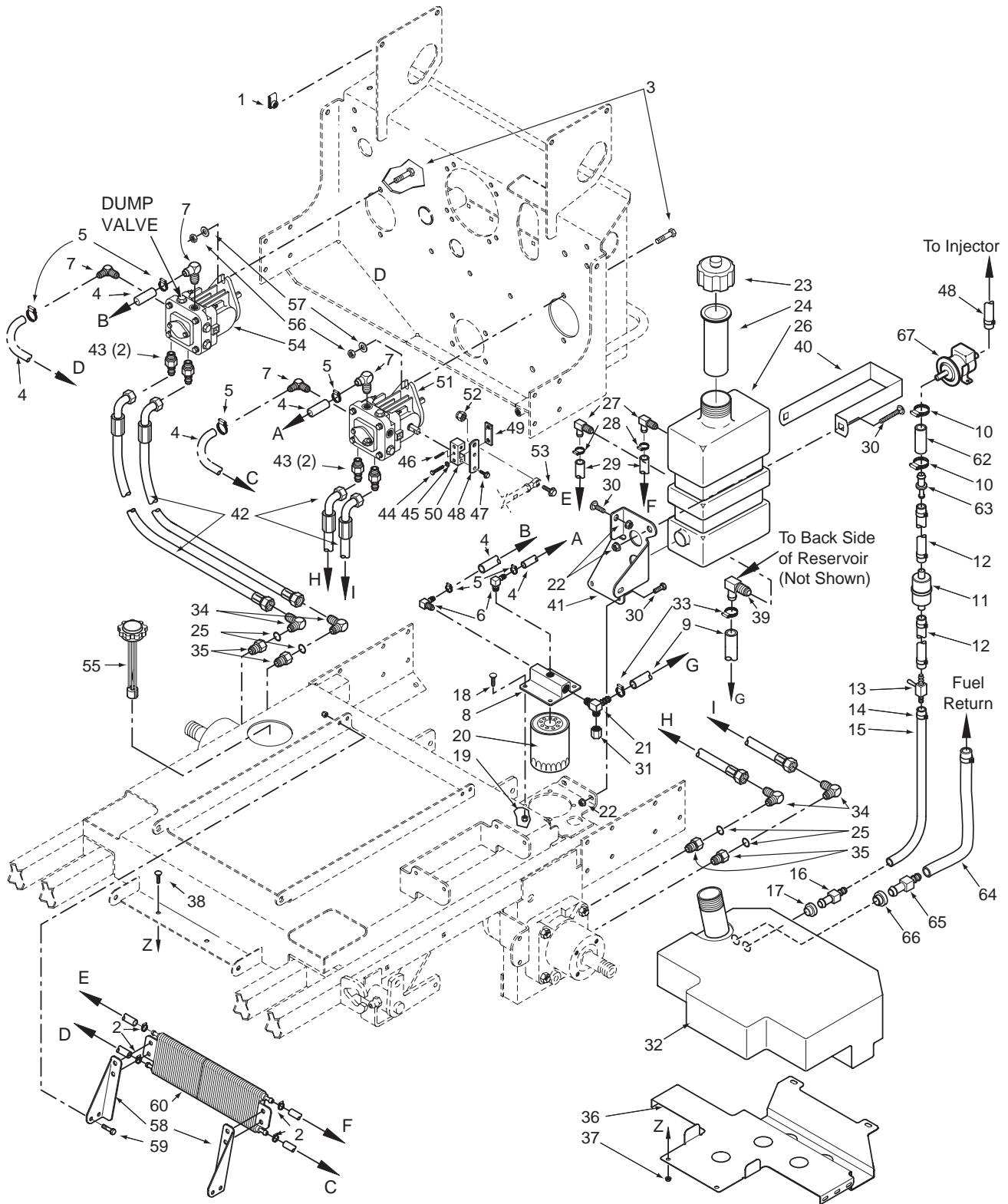
2006 STT F&HS.eps

FUEL AND HYDRAULIC SYSTEM

Ref. Part No. No.	Description	Ref. Part No. No.	Description
1	04110-01 U-Nut 1/4-20	34	48350-02 Elbow, 90 Degree, 1/2" x 1/2"
2	48136-13 Hose Clamp, 0.69 dia.		48350-05 Elbow, 90 Degree, 5/8" x 1/2" (35BV Only)
3	04001-03 Bolt, Hex Head 1/4-20 x 2.0"	35	48938-02 Bushing, 7/8-14 JIC x 3/4-16 O-Ring
4	48811 Hose, 3/8" ID Pushlock - (order by inch)	36	423701 Support Bracket, Fuel Tank
5	48136-07 Clamp, Hose 1/2"	37	04019-03 Nut, 5/16-18 Serrated Flange
6	481301-03 Elbow, 90 Degree - 1/4 NPT x 3/8" Hose	38	04003-02 Bolt, Carraige 1/4-20 x 3/4"
7	482266-01 Elbow, 90 Degree - 9/16 O-ring x 3/8" Hose	39	482574 Elbow, 90 Degree
8	48471-02 Oil Filter Base		482573 Bushing, .78 Dia. Viton
9	482606 Hose Assembly, 1/2" ID (Tank to Filter Base)	40	423513 Strap, Hydraulic Tank
10	** Fuel Hose to Carb.	41	423485 Support Bracket, Hydraulic Tank
11	** Fuel Filter	42	481611 Hose Assembly, Pump (27CH, 27KA, 29DFI)
12	483617 Fuel Hose, 1/4" ID. Non-Perm. (order by inch)		483676 Hose Assembly, Pump (35BV Only)
13	481308 Valve, Shutoff Kawasaki	43	48572-04 Union, 3/4-16 JIC x 3/4-16 O-ring
	481753 Valve, Shutoff Kohler	44	04001-59 Bolt, Hex Head, 1/4-20 x 1-1/4"
14	48059-01 Clamp, Fuel Hose	45	04030-02 Lockwasher, 1/4" Spring
15	483617 Fuel Hose, 1/4" ID. Non-Perm. (order by inch)	46	04060-09 Roll Pin, Spring 3/16 x 3/4"
16	481602 Hose Fitting	47	04001-08 Bolt, Hex Head 5/16-18 x 3/4"
17	48309 Bushing	48	482505 Cooler, Oil
18	04001-09 Bolt, Hex Head 5/16-18 x1.0" Zinc	49	422694 Clamp Plate, Pump Control
19	04019-03 Nut, Serrated Flange 5/16-18	50	481793 Block, Pump Control
20	48758 Oil Filter	51	482695 Pump, Left Hand, BDP-16A-410
21	482483 Tee, 3/4 O-ring x JIC x 1/2" Hose		483101 Pump, Left Hand, BDP-16A (31BV)
22	04021-08 Nut, Hex Elastic Stop 1/4-20	52	04021-09 Nut, Hex, Elastic Stop 3/8-16
23	481164 Cap, Hydraulic Tank	53	04001-32 Bolt, Hex Head, 3/8-16 x 1-1/4
24	481507 Insert, Filler Neck	54	482696 Pump, Right Hand, BDP 16A-307
25	48603-02 O-Ring		483100 Pump, Right Hand, BDP-16A (31BV)
26	461451 Oil Reservoir Assembly (includes 24, 27, 39)	55	482497 Cap, Fuel Tank W/Gauge
27	482572 Elbow, 90 Degree .38 Hose	56	04021-09 Nut, Hex Elastic Stop 3/8-16
	482571 Bushing, .56 Dia. Viton	57	04043-04 Flatwasher, 3/8" (.391 x .938 x .105) Grade 8
28	48136-13 Hose Clamp, 0.69 dia.	58	423524 Mounting Bracket - LH, Oil Cooler
29	48811 Hose, 3/8" ID, Pushlock (order by inch)		423525 Mounting Bracket - RH, Oil Cooler
30	04010-10 Screw, Phillips Head, 1/4-20		
31	48571-02 Cap		
32	461751 Fuel Tank Assembly (includes items 23 & 24)		
33	48136-05 Clamp, Hose		

\*\* Available through the individual engine manufacturer.

### FUEL AND HYDRAULIC SYSTEM - KAWASAKI 29DFI



## Section 8

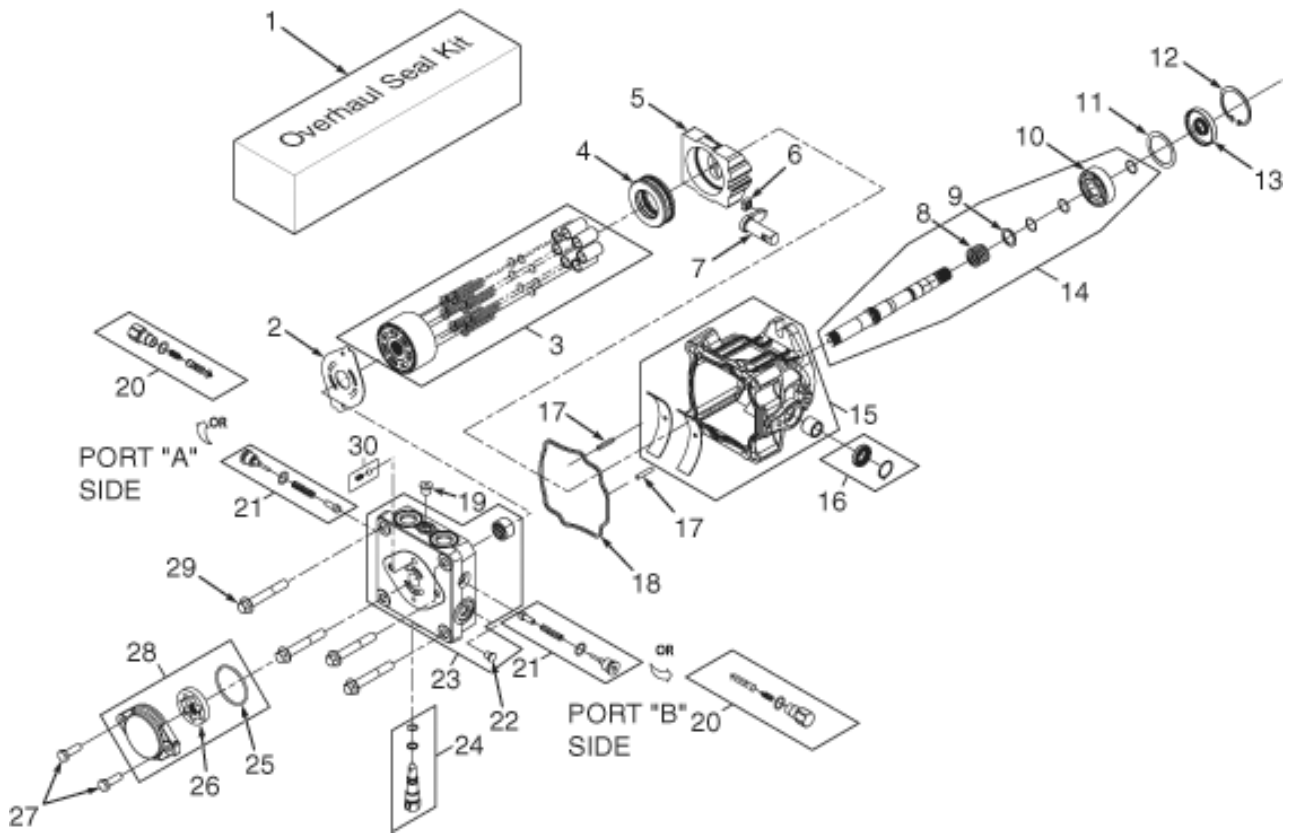


### FUEL AND HYDRAULIC SYSTEM - KAWASAKI 29DFI

Ref. Part No. No.	Description	Ref. Part No. No.	Description
1	04110-01 U-Nut 1/4-20	35	48938-02 Bushing, 7/8-14 JIC x 3/4-16 O-Ring
2	48136-13 Hose Clamp, 0.69 dia.	36	423701 Support Bracket, Fuel Tank
3	04001-03 Bolt, Hex Head 1/4-20 x 2.0"	37	04019-03 Nut, 5/16-18 Serrated Flange
4	48811 Hose, 3/8" ID Pushlock - (order by inch)	38	04003-02 Bolt, Carriage 1/4-20 x 3/4"
5	48136-07 Clamp, Hose 1/2"	39	482574 Elbow, 90 Degree
6	481301-03 Elbow, 90 Degree - 1/4 NPT x 3/8" Hose		482573 Bushing, .78 Dia. Viton
7	482266-01 Elbow, 90 Degree - 9/16 O-ring x 3/8" Hose	40	423513 Strap, Hydraulic Tank
8	48471-02 Oil Filter Base	41	423485 Support Bracket, Hydraulic Tank
9	482606 Hose Assembly, 1/2" ID (Tank to Filter Base)	42	481611 Hose Assembly, Pump
10	48136-05 Clamp, .87 max Dia.	43	48572-04 Union, 3/4-16 JIC x 3/4-16 O-ring
11	** Fuel Filter, Kawasaki (p/n 49019-1055)	44	04001-59 Bolt, Hex Head, 1/4-20 x 1-14"
12	483620 Fuel Hose, 5/16" ID. Non-Perm. (order by inch)	45	04030-02 Lockwasher, 1/4" Spring
13	481308 Valve, Shutoff Kawasaki	46	04060-09 Roll Pin, Spring 3/16 x 3/4"
14	48059-01 Clamp, Fuel Hose	47	04017-05 Bolt, Hex Serrated Flange, 1/4-20 x 3/4"
15	483620 Fuel Hose, 5/16" ID. Non-Perm. (order by inch)	48	481178 Fuel Hose, 5/16" ID. (order by inch)
16	481312 Hose Fitting	49	422694 Clamp Plate, Pump Control
17	48309 Bushing	50	481793 Block, Pump Control
18	04001-09 Bolt, Hex Head 5/16-18 x1.0" Zinc	51	483101 Pump, Left Hand, BDP-16A
19	04019-03 Nut, Serrated Flange 5/16-18	52	04021-09 Nut, Hex, Elastic Stop 3/8-16
20	48758 Oil Filter	53	04001-32 Bolt, Hex Head, 3/8-16 x 1-1/4
21	482483 Tee, 3/4 O-ring x JIC x 1/2" Hose	54	483100 Pump, Right Hand, BDP 16A
22	04021-08 Nut, Hex Elastic Stop 1/4-20	55	482497 Cap, Fuel Tank W/Gauge
23	481164 Cap, Hydraulic Tank	56	04021-09 Nut, Hex Elastic Stop 3/8-16
24	481507 Insert, Filler Neck	57	04043-04 Flatwasher, 3/8" (.391 x .938 x .105) Grade 8
25	48603-02 O-Ring	58	423524 Mounting Bracket - LH, Oil Cooler
26	461451 Oil Reservoir Assembly (includes 24, 27, 39)		423525 Mounting Bracket - RH, Oil Cooler
27	482572 Elbow, 90 Degree .38 Hose	59	04001-08 Bolt, Hex Head 5/16-18 x 3/4"
	482571 Bushing, .56 Dia. Viton	60	482505 Cooler, Oil
28	48136-13 Hose Clamp, 0.69 dia.	61	48136-13 Clamp, .69 Dia.
29	48811 Hose, 3/8" ID, Pushlock (order by inch)	62	482702 Hose, Fuel Line (order by inch)
30	04010-10 Screw, Phillips Head, 1/4-20	63	** Adapter, 1/2" - 5/16" (p/n 59071-2141)
31	48571-02 Cap	64	483622 Hose, 1/4" Fuel Line Non-Perm. (order by inch)
32	461586 Fuel Tank Assembly (incl. items 16, 17, 65, 66)	65	482703 Fitting, Hose
33	48136-05 Clamp, Hose	66	48309 Bushing
34	48350-02 Elbow, 90 Degree, 7/8-14 THD	67	** Fuel Pump, Kawasaki 29DFI
		68	483620 Fuel Hose, 5/16" ID. Non-Perm. (order by inch)

\*\* Available through the individual engine manufacturer.

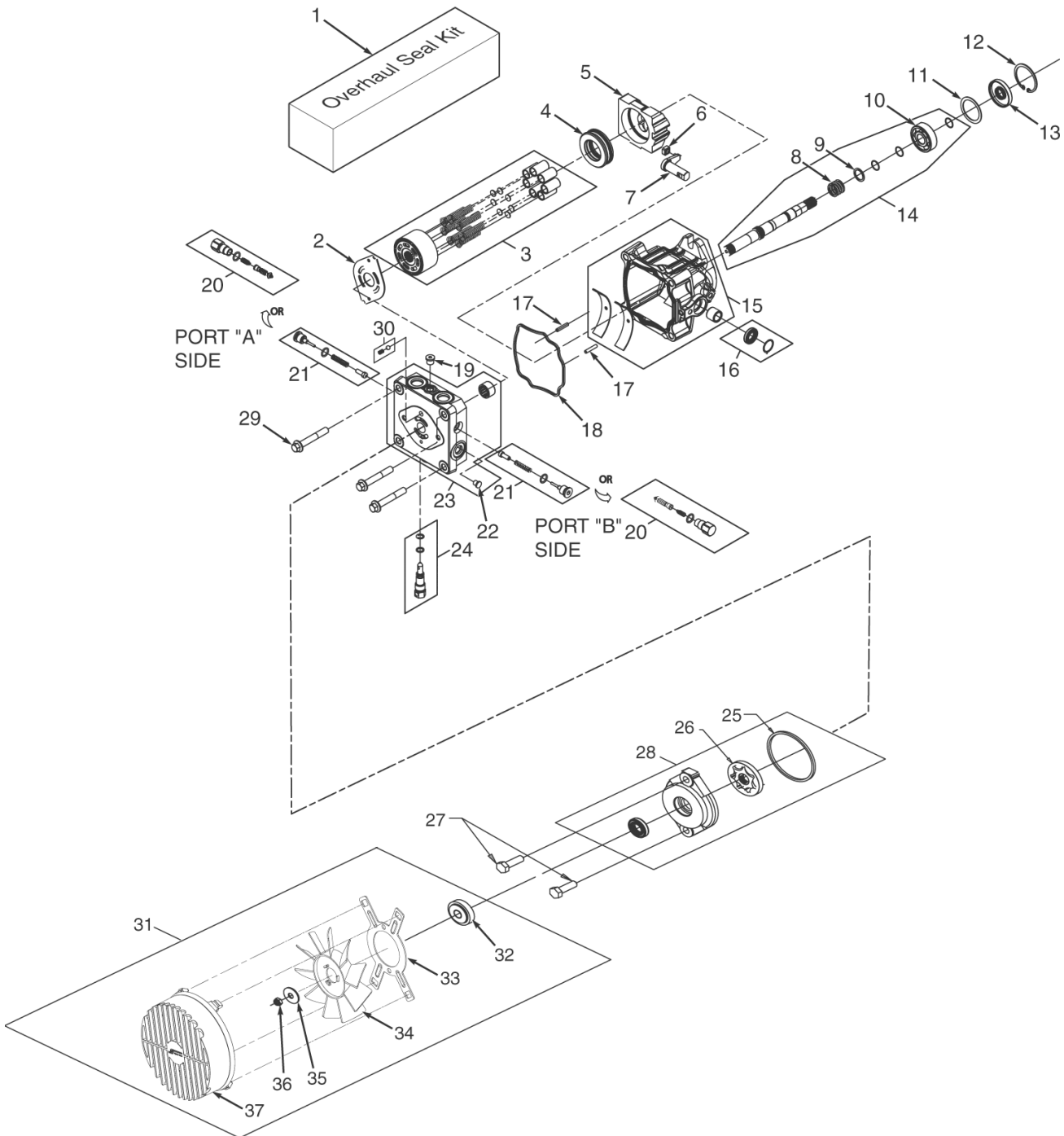
## BDP-16A HYDRAULIC PUMP ASSEMBLY



**BDP-16A HYDRAULIC PUMP ASSEMBLY**

<b>Ref. No.</b>	<b>Part No.</b>	<b>Description</b>
1	HG70740	Overhaul Seal Kit
2	HG51455	Valve Plate
3	HG70735	Cylinder Block Kit - 16cc
4	HG51462	Thrust Ball Bearing Assembly
5	HG51436	Variable Swashplate
6	HG2000015	Slot Guide
7	HG2000014	Trunnion Arm
8	HG2000025	Block Spring
9	HG2000024	Block Thrust Washer
10	HG2000032	Shaft Ball Bearing
11	HG2000023	Spacer
12	HG2000038	Retaining Ring
13	HG51092	Seal
14	HG70581	Kit, Pump Shaft
15	HG70738	Housing Kit
16	HG70739	Trunnion Seal Kit
17	HG50641	Pin
18	HG51437	O-Ring
19	HG9005110-7500	Straight Thread Plug
20	HG70743	Shock Valve Kit (.031 Orifice)
21	HG70742	Shock Valve Kit (.024 Orifice)
22	HG9005200-7500	Straight Thread Plug
23	HG70736	End Cap Kit
24	HG2513030	Bypass Valve Kit
25	HG9004100-1430	O-Ring
26	HG50406	Gerotor Assembly (.19 cu.in./rev.)
27	HG50173	Socket Head Cap Screw (M8 x 1.25-25mm)
28	HG2510071	Charge Pump Kit (.19 STD. Splined)
29	HG51457	Hex Screw, Flanged Head (M10 x 1.50-65mm)
30	HG70402	Charge Relief Kit

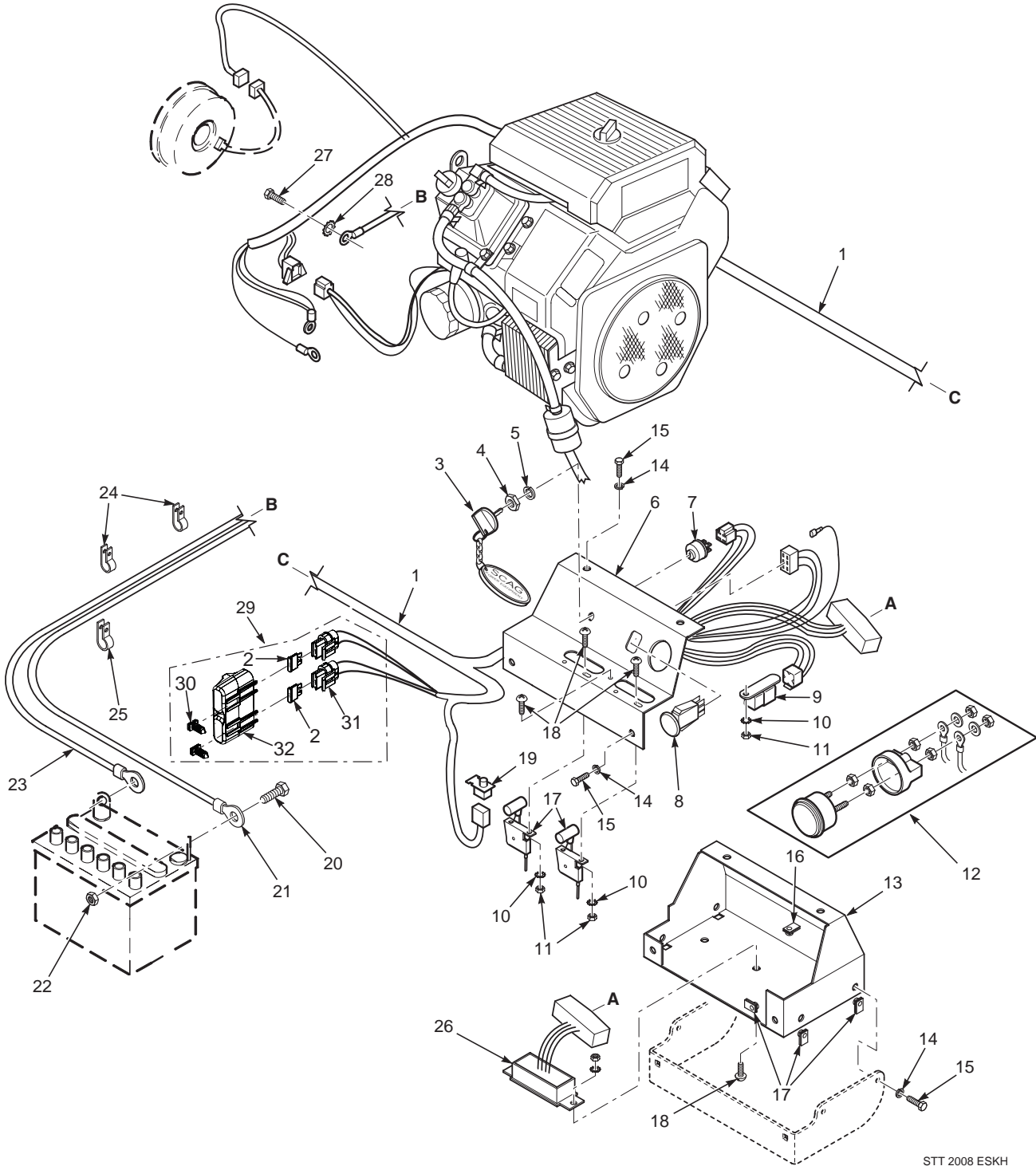
### BDP-16A HYDRAULIC PUMP ASSEMBLY WITH COOLING FAN (29DFI, 35BV ONLY)



## BDP-16A HYDRAULIC PUMP ASSEMBLY WITH COOLING FAN (29DFI, 35BV ONLY)

Ref. No.	Part No.	Description
1	HG70740	Overhaul Seal Kit
2	HG51455	Valve Plate
3	HG70735	Cylinder Block Kit - 16cc
4	HG51462	Thrust Ball Bearing Assembly
5	HG51436	Variable Swashplate
6	HG2000015	Slot Guide
7	HG2000014	Trunnion Arm
8	HG2000025	Block Spring
9	HG2000024	Block Thrust Washer
10	HG2000032	Shaft Ball Bearing
11	HG2000023	Spacer
12	HG2000038	Retaining Ring
13	HG51092	Seal
14	HG70578	Kit, Pump Shaft (keyed thru taper)
15	HG70738	Housing Kit
16	HG70739	Trunnion Seal Kit
17	HG50641	Pin
18	HG51437	O-Ring
19	HG9005110-7500	Straight Thread Plug
20	HG70743	Shock Valve Kit (.031 Orifice)
21	HG70742	Shock Valve Kit (.024 Orifice)
22	HG9005200-7500	Straight Thread Plug
23	HG70736	End Cap Kit
24	HG2513030	Bypass Valve Kit
25	HG9004100-1430	O-Ring
26	HG50406	Gerotor Assembly (.19 cu.in./rev.)
27	HG50173	Socket Head Cap Screw (M8 x 1.25-25mm)
28	HG70924	Charge Pump Kit (.19 STD. Splined)
29	HG51457	Hex Screw, Flanged Head (M10 x 1.50-65mm)
30	HG70402	Charge Relief Kit
31	HG71287	Fan Kit (incl. items 32, 33, 34, 35, 36, 37)
32	HG51348	Hub
33	HG52016	Bracket, Shroud
34	HG52014	Fan
35	HG51348	Washer
36	HG44809	Nut
37	HG52059	Shroud

### ELECTRICAL SYSTEM (KOHLER)

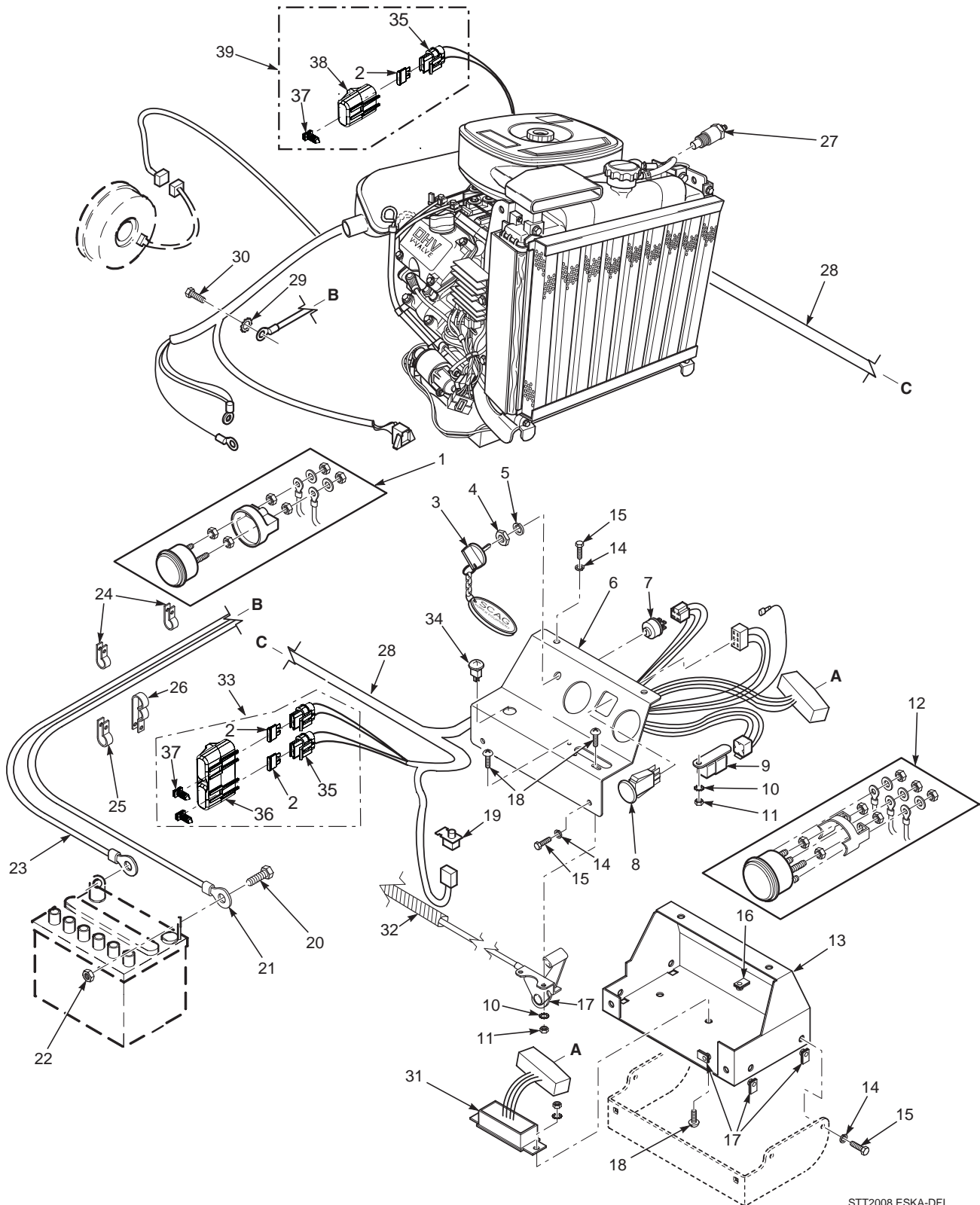


STT 2008 ESKH

### ELECTRICAL SYSTEM (KOHLER)

Ref. No.	Part No.	Description
1	483623	Wire Harness, STT Air-Cooled
2	48298	Fuse, 20 AMP
3	483366	Key, Ignition
	462069	Key Assembly w/Fob
4	48017-04	Nut, Hex 5/8-32
5	48017-03	Lockwasher, 5/8" Internal
6	461916	Instrument Panel, Top w/Decals
7	48798	Key Switch
8	483162	Switch, PTO
9	483013	Relay
10	04031-01	Lockwasher, #10 External Tooth
11	04020-01	Nut, Hex #10-32
12	481755	Ammeter
13	451879	Base, Instrument Panel
14	04030-02	Lockwasher, 1/4"
15	04001-01	Bolt, Hex Head 1/4-20 x 3/4"
16	04110-01	U-Nut, 1/4-20
17	481544	Throttle And Choke Controls (Kohler)
	481662	Throttle And Choke Controls (35BVAC Briggs & Stratton)
18	04010-01	Screw, Phillips Washer Head #10-32 x 1/2"
19	481638	Switch, Interlock-Seat
20	04001-44	Bolt, Hex Head 1/4-20 x 1/2"
21	48029-22	Cable, Battery - Red
22	04020-02	Nut, Hex 1/4-20
23	48029-11	Cable, Battery - Black
24	48030-09	Clamp, Cable 1/2" ID.
25	48136-05	Clamp, Cable 3/4" ID.
26	483029	Electronic Module
27	04002-12	Bolt, Hex Head M8-1.25 x 20
28	04031-03	Lockwasher, 5/16" External Tooth
29	483642	Double Fuse Assembly, Sealed (Incl. items 2, 42, 43, 44)
30	482588	Clip, Wire
31	483629	Fuse Holder
32	483571	Cover, Sealed Double

### ELECTRICAL SYSTEM (27HP KAWASAKI, 35BV BRIGGS & STRATTON)



STT2008 ESKA-DFI

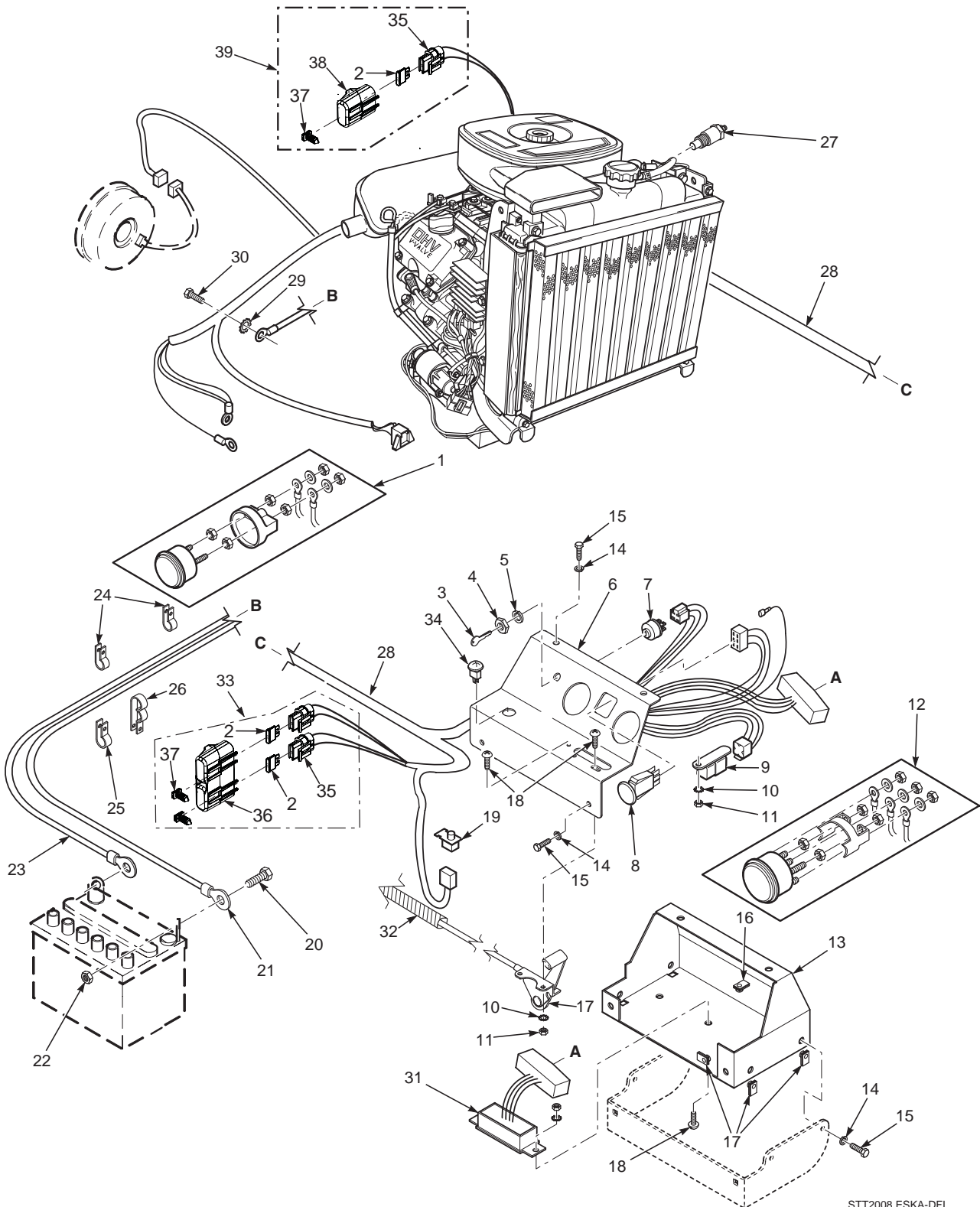
## Section 8



### ELECTRICAL SYSTEM (27HP KAWASAKI, 35BV BRIGGS & STRATTON)

Ref. No.	Part No.	Description
1	481755	Ammeter
2	48298	Fuse, 20 AMP
3	483366	Key, Ignition
	462069	Key Assembly w/Fob
4	48017-04	Nut, Hex 5/8-32
5	48017-03	Lockwasher, 5/8" Internal
6	461916	Instrument Panel, Top w/Decals
7	48798	Key Switch
8	483162	Switch, PTO
9	483013	Relay
10	04031-01	Lockwasher, #10 External Tooth
11	04020-01	Nut, Hex #10-32
12	481183	Water Temp. Gauge
13	451879	Base, Instrument Panel
14	04030-02	Lockwasher, 1/4"
15	04001-01	Bolt, Hex Head 1/4-20 x 3/4"
16	04110-01	U-Nut, 1/4-20
17	481662	Throttle And Choke Controls
18	04010-01	Screw, Phillips Washer Head #10-32 x 1/2"
19	481638	Switch, Interlock-Seat
20	04001-44	Bolt, Hex Head 1/4-20 x 1/2"
21	48029-06	Cable, Battery - Red
	48029-22	Cable, Battery - Red (35BV Only)
22	04020-02	Nut, Hex 1/4-20
23	48029-11	Cable, Battery - Black
24	48030-09	Clamp, Cable 1/2" ID.
25	48136-05	Clamp, Cable 3/4" ID.
26	48030-11	Clamp, Cable
27	481670	Sending Unit, Water Temp.
28	483625	Wire Harness, STT Kawasaki Liquid-Cooled
	483624	Wire Harness, STT Briggs & Stratton Liquid-Cooled
29	04031-03	Lockwasher, 5/16" External Tooth
30	04002-12	Bolt, Hex Head M8-1.25 x 20
31	483029	Electronic Module
32	481945-01	Heatshield, Flexible
33	483642	Double Fuse Assembly, Sealed (Incl. items 2, 42, 43, 44)
34	483629	Fuse Holder
32	483571	Cover, Sealed Double
33	482588	Clip, Wire

### ELECTRICAL SYSTEM (29HP-DFI KAWASAKI)



STT2008 ESKA-DFI

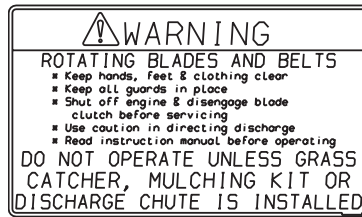
## ELECTRICAL SYSTEM (29HP-DFI KAWASAKI)

Ref. No.	Part No.	Description
1	481755	Ammeter
2	48298	Fuse, 20 AMP
3	483366	Key, Ignition
	462069	Key Assembly w/Fob
4	48017-04	Nut, Hex 5/8-32
5	48017-03	Lockwasher, 5/8" Internal
6	461916	Instrument Panel, Top w/Decals
7	48798	Key Switch
8	483162	Switch, PTO
9	48788	Relay
10	04031-01	Lockwasher, #10 External Tooth
11	04020-01	Nut, Hex #10-32
12	481183	Water Temp. Gauge (STT - KA Only)
13	451879	Base, Instrument Panel
14	04030-02	Lockwasher, 1/4"
15	04001-01	Bolt, Hex Head 1/4-20 x 3/4"
16	04110-01	U-Nut, 1/4-20
17	481662	Throttle Controls
18	04010-01	Screw, Phillips Washer Head #10-32 x 1/2"
19	481638	Switch, Interlock-Seat
20	04001-44	Bolt, Hex Head 1/4-20 x 1/2"
21	48029-06	Cable, Battery - Red
22	04020-02	Nut, Hex 1/4-20
23	48029-11	Cable, Battery - Black
24	48030-09	Clamp, Cable 1/2" ID.
25	48136-05	Clamp, Cable 3/4" ID.
26	48030-11	Clamp, Cable
27	481670	Sending Unit, Water Temp.
28	483626	Wire Harness, STT Liquid Cooled Digital Fuel Injection (DFI)
29	04031-03	Lockwasher, 5/16" External Tooth
30	04002-12	Bolt, Hex Head M8-1.25 x 20
31	483029	Electronic Module
32	481945-01	Heatshield, Flexible
33	483642	Double Fuse Assembly, Sealed (Incl. items 2, 42, 43, 44)
34	481182	Indicator Light, Check Engine
35	483629	Fuse Holder
36	483571	Cover, Sealed Double
37	482588	Clip, Wire
38	483643	Cover, Sealed Single
39	483641	Single Fuse Assembly, Sealed (Incl. items 2, 35, 37, 38)

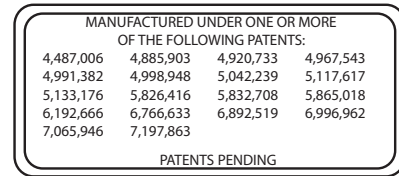
### REPLACEMENT DECALS AND INFORMATION PLATES



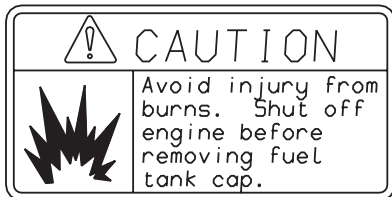
1



2



5



4



3



481568

6



481971

7

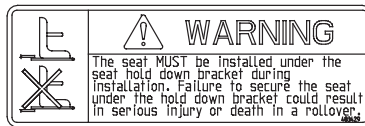


48404

8



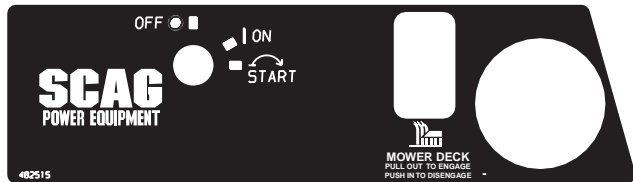
9



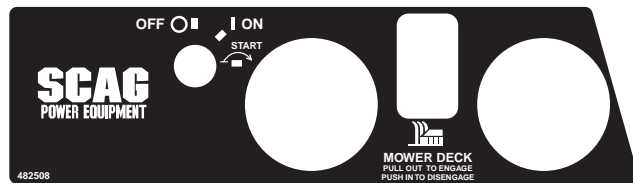
26



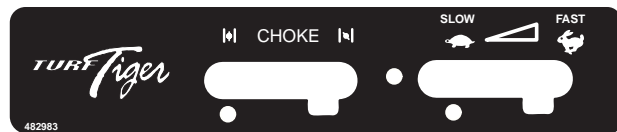
25



10



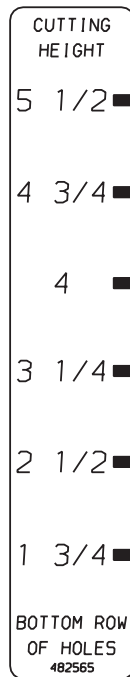
11



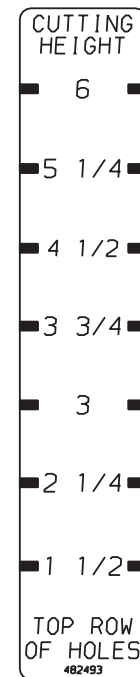
12



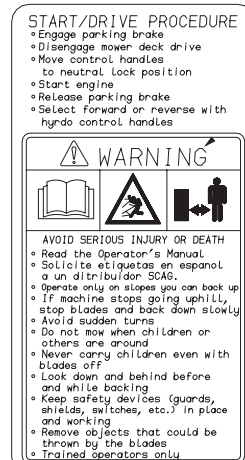
23



13



22



14

REPLACEMENT DECALS AND INFORMATION PLATES

Ref. No.	Part No.	Description
1	483192	Decal, Danger-Spinning Blades
2	483406	Decal, Warning-Rotating Blades
3	483200	Decal, 52 Velocity Plus
	483201	Decal, 61 Velocity Plus
	481956	Decal, 72 Advantage
4	483397	Decal, Fuel Tank
5	483044	Decal, Patents
6	481568	Decal, Traction Control
7	481971	Decal, Heavy Duty Commercial
8	48404	Decal, Metalcraft-Made In USA
9	483402	Decal, Belt Cover
10	482515	Decal, Instrument Panel-Upper (Air-Cooled)
11	482508	Decal, Instrument Panel-Upper (Kawasaki)
12	482983	Decal, Instrument Panel-Lower
13	482565	Decal, Cutting Height - Lower
14	483444	Decal, Start/Drive Procedure
15	482710	Decal, Seat Support
16	482577	Decal, Turf Tiger
17	483229	Decal, Turf Tiger
18	481664	Decal, Stripes-RH
19	481663	Decal, Stripes-LH
20	481694	Decal, Tiger
21	483405	Decal, Warning
22	482493	Decal, Cutting Height - Upper
23	482984	Decal, Instrument Panel - Lower (Kawasaki 29HP-DFI only)
24	483158	Decal, ROPS
25	483425	Decal, ROPS
26	483429	Decal, Warning Seat Hold Down
27	483633	Decal, Seat Replacement
**	461982	Spanish Decal Kit, STT (not shown)

**IMPORTANT ADJUSTMENT PROCEDURES**  
 READ OPERATOR'S MANUAL FOR MORE DETAILS  
 Check tire pressure - (Drive tires-12 psi, Caster tires-25 psi)

**NEUTRAL ADJUSTMENT**  
 Loosen jam nuts  
 Rotate turnbuckle  
 With an operator in the seat, engine running, control levers in neutral and the parking brake disengaged - adjust control linkage. Loosen jam nuts. If wheel rotates forward, adjust turnbuckle CCW. If wheel rotates rearward, adjust turnbuckle CW. Adjust until drive wheel stops turning. Tighten jam nuts. Repeat for opposite side.

**TRACKING ADJUSTMENT**  
 If the machine pulls to the right, adjust LH control linkage CCW to slow left wheel. If the machine pulls to the left, adjust RH control linkage CW to slow right wheel. Readjust neutral if necessary.

**FREE WHEEL OPERATION**  
 To move machine without running the engine, rotate both dump valves located at the LH side of the pumps CCW 1/2 turn to "freeheel" positions. Return dump valves to original position to operate the mower. Tighten to 7-10 ft-lbs.

**HYDRAULIC FLUID LEVEL**  
 Check hydraulic fluid level while fluid is cool. Fluid level should be 3" below top of filler neck. Fill with SAE 20W50 motor oil only.

**IMPORTANT**  
 Do not overfill. Room for hot fluid expansion must be allowed or resulting expansion may cause leaks in the system.

**IMPORTANT DRIVESHAFT MAINTENANCE**  
 Grease yokes 3-4 pumps Every 200 hours  
 Grease spline 8-10 pumps Every 50 hours

482710

15



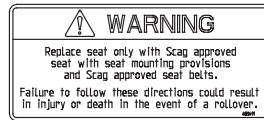
20



16



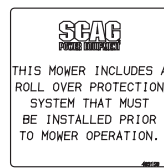
17



27



21



24

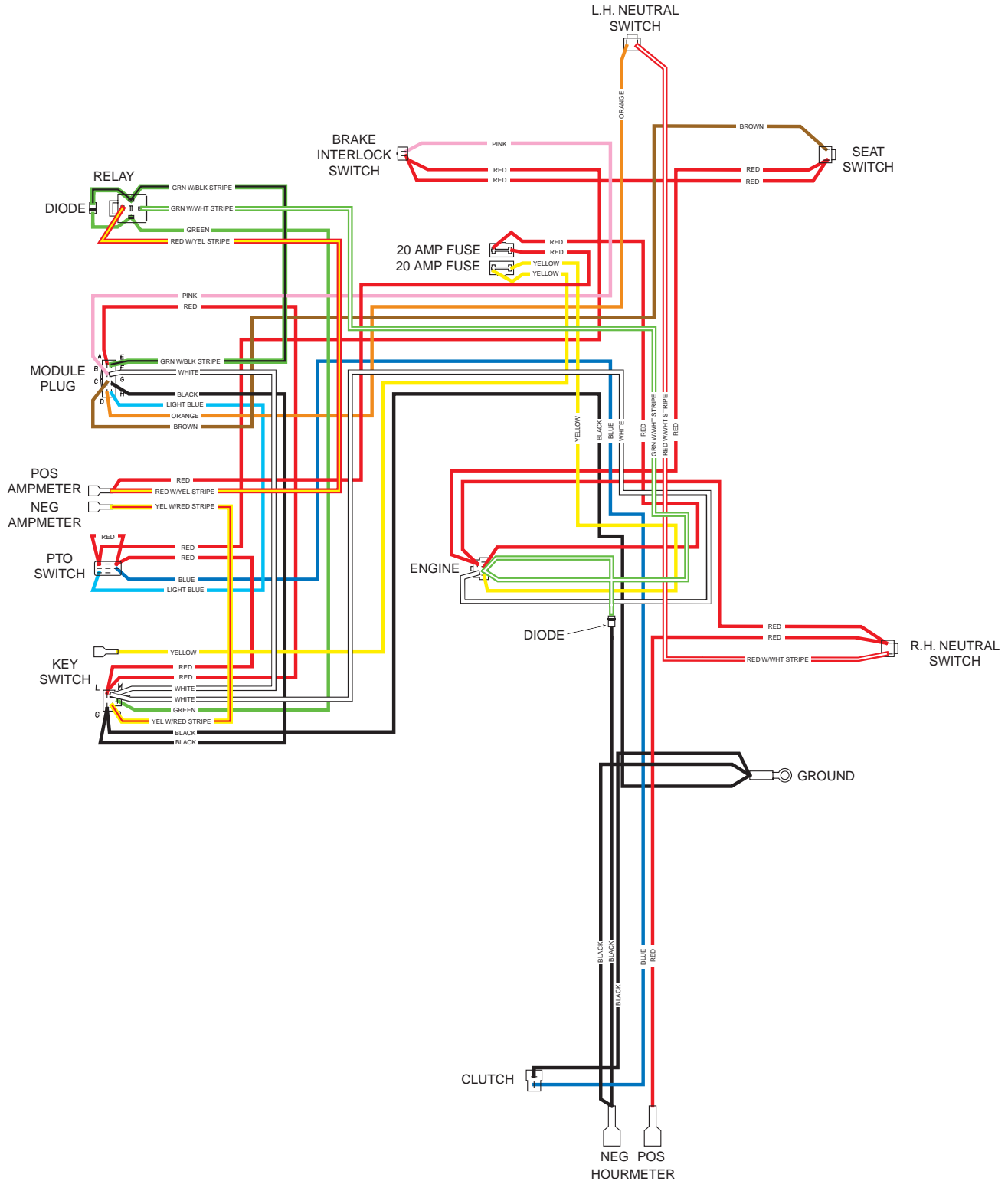


18



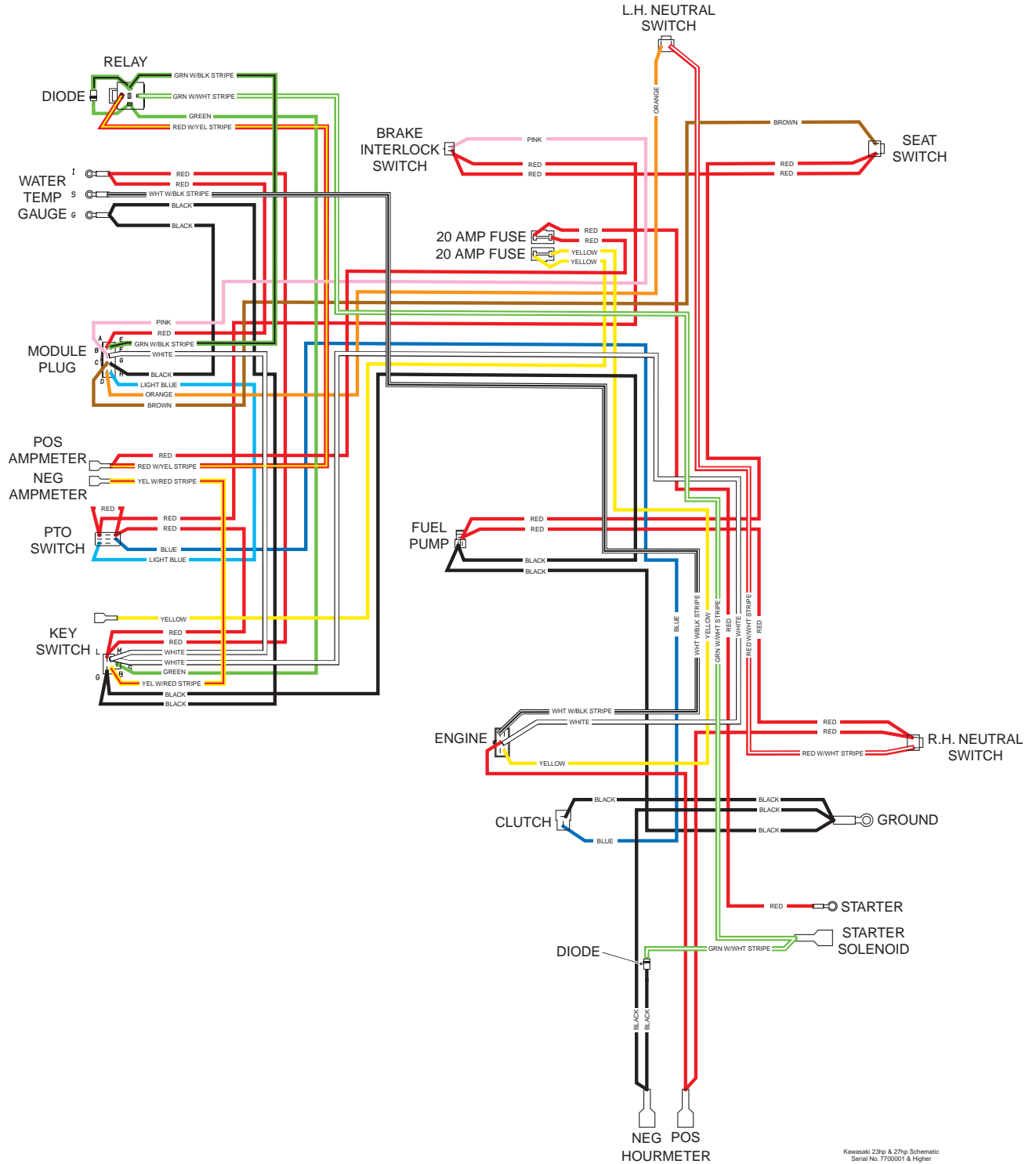
19

### STT ELECTRICAL SCHEMATIC (KOHLER)



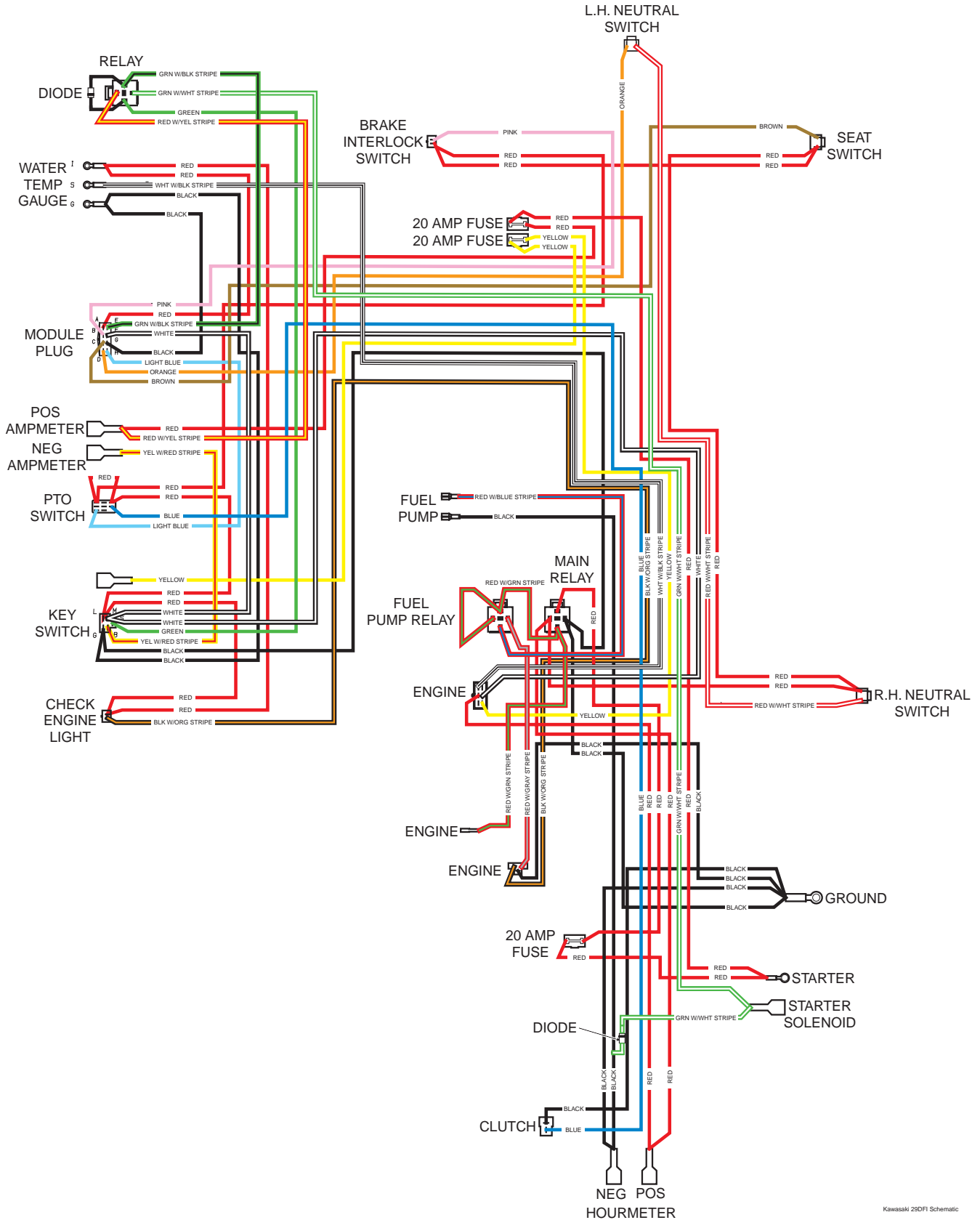
Kohler STT Schematic  
Serial No. 7700001 & Higher

### STT ELECTRICAL SCHEMATIC (27HP KAWASAKI)



Kawasaki 23hp & 27hp Schematic  
Serial No. 7700001 & Higher

### ELECTRICAL SCHEMATIC (KAWASAKI 29HP - DFI)



Kawasaki 29DFI Schematic

Section 8



ELECTRICAL SCHEMATIC (BRIGGS & STRATTON 35BV)

