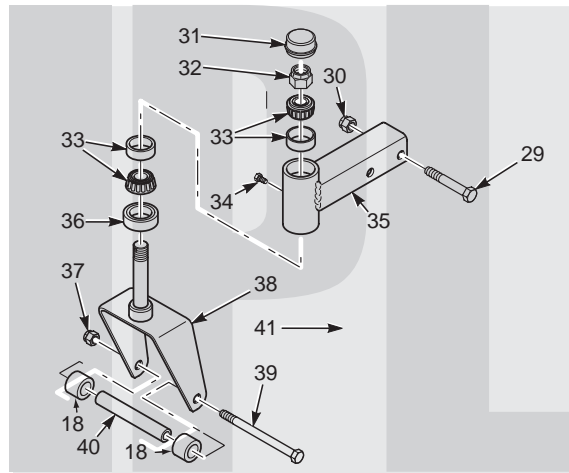


SCAG[®]

POWER EQUIPMENT



MODEL STC

23BV/25CV & 26BS

ILLUSTRATED PARTS LIST

THIS MANUAL CONTAINS THE ILLUSTRATED PARTS LIST FOR MODELS:

STC48V-26BS	with a serial number of D6500001 to D6599999
STC52V-23BV	with a serial number of D6600001 to D6699999
STC52V-25CV	with a serial number of E2400001 to E2499999
STC52V-25CV-FR	with a serial number of E3200001 to E3299999
STC61V-23BV	with a serial number of D6400001 to D6499999
STC61V-25CV	with a serial number of E2500001 to E2599999
STC61V-25CV-FR	with a serial number of E3300001 to E3399999
SMTC-48V	with a serial number of D9100001 to D9199999
SMWC-52V	with a serial number of D9200001 to D9299999
SMWC-61V	with a serial number of D9300001 to D9399999

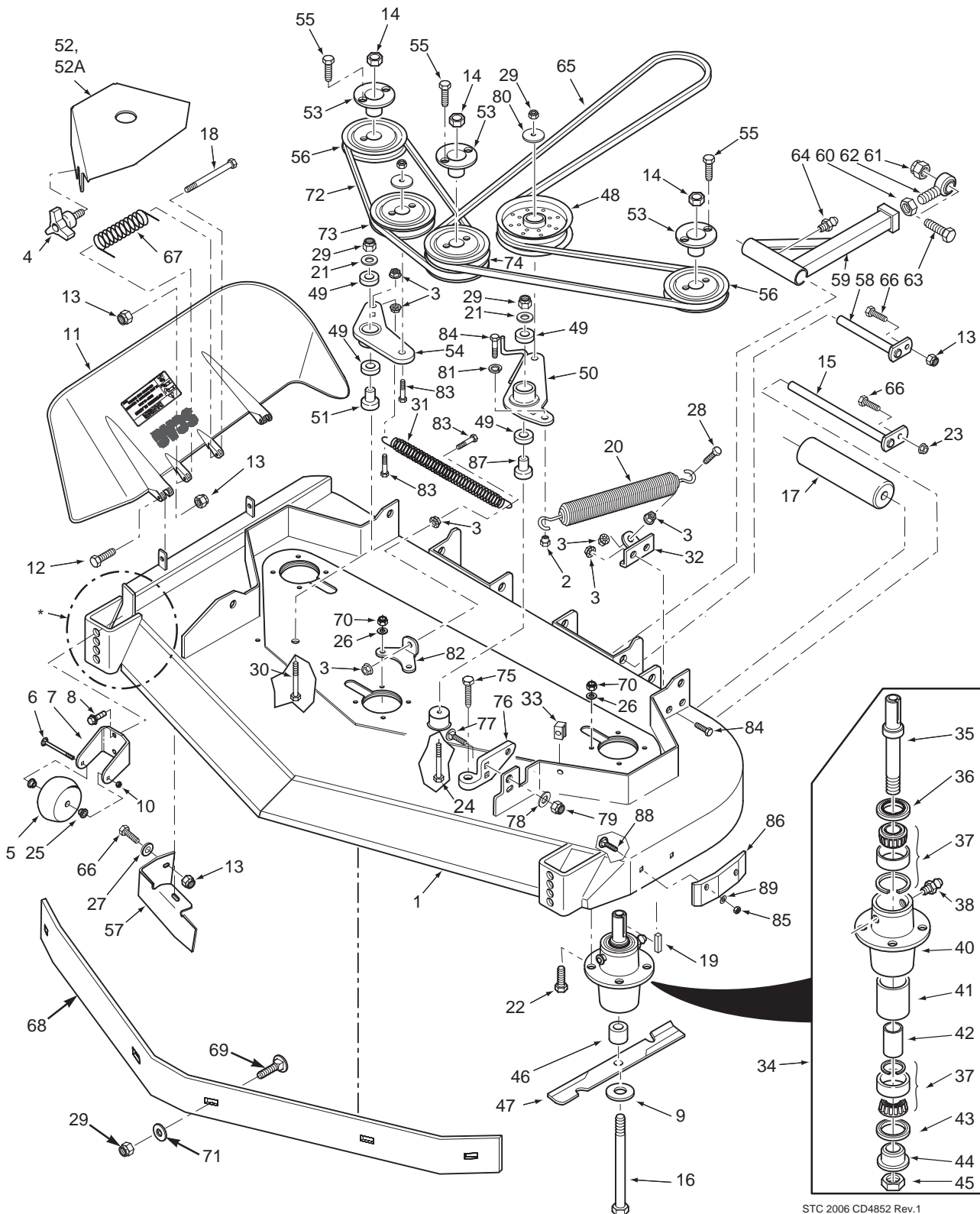
NOTES



ILLUSTRATED PARTS LIST TABLE OF CONTENTS

SUBJECT	PAGE
48V & 52V Cutter Deck	2-3
61V Cutter Deck	4-5
Cutter Deck Controls	6-7
Sheet Metal Components	8-9
STC Fixed Roll Over Protection System	10-11
STC Foldable Roll Over Protection System	12-13
Drive System Components	14-15
Engine and Attaching Parts	16-17
Steering Components	18-19
Brake Components	20-21
Fuel and Hydraulic System	22-23
Electrical System	24-25
Hydraulic Pump Assembly (BDP-10A)	26-27
Replacement Decals	28-29
Electrical Schematic	30

48V" & 52V" CUTTER DECKS



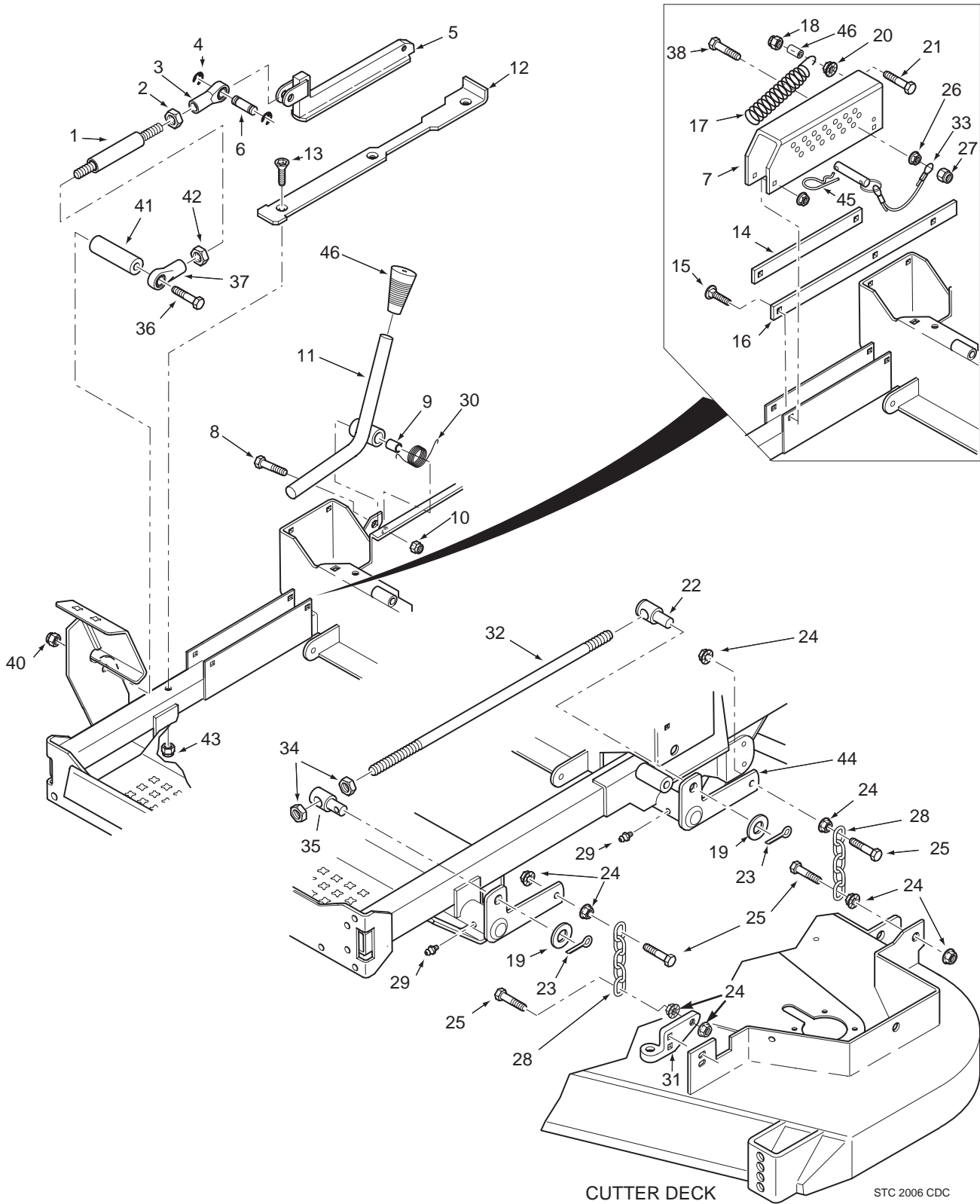
48V" & 52V" CUTTER DECKS

Ref. Part No.	Part No.	Description	48	52	Ref. Part No.	Part No.	Description	48	52
1	461854	Cutter Deck Velocity Plus	x		51	43689	Idler Pivot	x	x
	461858	Cutter Deck Velocity Plus		x	52	424322	Belt Cover (48V)	x	
2	43686	Boss, Spring Anchor	x	x	52A	424323	Belt Cover (52V)	x	
3	04019-04	Nut, 3/8-16 Serrated Flange	x	x	53	48926	Hub, Tapered 1-1/8" Bore	x	x
4	481625-01	Wing Nut, 3/8-16	x	x	54	461946	Idler Arm	x	x
5	481632	Anti-Scalp Wheel	x	x	55	04001-172	Bolt, Hex Head 1/4-20 x 1" Grade 8	x	x
6	04003-26	Bolt, Carriage 3/8-16 x 4"	x	x	56	483282	Pulley 4.75"	x	
7	422478	Bracket, Anti-Scalp Wheel	x	x		483284	Pulley 5.35"		x
8	04017-27	Bolt, Serrated Flange 3/8-16 x 1"	x	x	57	424208	Turbo Baffle, Bolt On	x	x
9	04043-06	Flatwasher, 5/8" Hardened	x	x	58	451240	Push Arm Shaft	x	x
10	04021-05	Locknut, 3/8-16 Center Lock	x	x	59	461516	Push Arm (Includes 64,60,62)	x	x
11	461844	Discharge Chute	x		60	04020-16	Nut, 5/8-18 UNF	x	x
	461845	Discharge Chute		x	61	04021-13	Nut, Elastic Stop 5/8-11	x	x
12	04001-11	Bolt, Hex Head 5/16-18 x 1-1/2", Rear	x	x	62	48763	Rod End, 5/8 Male RH Thread	x	x
	04001-12	Bolt, Hex Head 5/16-18 x 1-3/4", Front	x	x	63	04001-79	Bolt, Hex Head 5/8-11 x 4-1/2"	x	x
13	04021-10	Nut, Elastic Stop 5/16-18	x	x	64	48114-04	Grease Fitting, 90 Degree	x	x
14	04020-09	Nut, 5/8-11 UNC	x	x	65	483241	Belt, Cutter Deck Drive (48V)	x	
15	45944	Shaft, Roller	x	x		483242	Belt, Cutter Deck Drive (52V)		x
16	04001-41	Bolt, Hex Head 5/8-11 x 9-1/2"	x	x	66	04001-09	Bolt, Hex Head 5/16-18 x 1"	x	x
17	48038	Roller, Rear	x	x	67	483378	Spring, Discharge Chute	x	x
18	04001-154	Bolt, Hex Head 5/16-18 x 4-3/4"	x	x	68	424173	Baffle Weldment, 48V	x	
19	04063-08	Key, 1/4 x 1/4 x 2"	x	x		424174	Baffle Weldment, 52V		x
20	483246	Spring, Idler LH	x	x	69	04003-23	Bolt, Carriage 3/8-16 x 1"	x	x
21	04043-04	Flatwasher, 3/8"	x	x	70	04021-22	Nut, Elastic Stop 5/16-18 Grade 8	x	x
22	04001-176	Bolt, Hex Head 5/16-18 x 1-3/4" Grade 8	x	x	71	04043-04	Flatwasher 3/8"	x	x
23	04019-03	Nut, Serrated Flange 5/16-18	x	x	72	483239	Belt, R.H. Cutter Deck	x	
24	04001-51	Bolt, Hex Head 3/8-16 x 3-3/4"	x	x		483240	Belt, R.H. Cutter Deck		x
25	48100-15	Bushing, .376 ID Oilite	x	x	73	48181	Pulley, Idler 5" Dia.	x	x
26	04030-03	Lockwasher 5/16"	x	x	74	483283	Pulley, Double Groove	x	
27	04040-15	Flatwasher 5/16"	x	x		483285	Pulley, Double Groove		x
28	04001-136	Bolt, Hex Head 3/8-16 x 1-1/2" Gr. 8	x	x	75	483167	Bolt, Special	x	x
29	04021-09	Nut, Elastic Stop 3/8-16	x	x	76	461929	Lever Assy., Deck Level	x	x
30	04001-31	Bolt, Hex Head 3/8-16 x 2-1/2"	x	x	77	04003-40	Bolt, Carriage 7/16-14 x 1-1/4"	x	x
31	483247	Spring, Idler R.H.	x	x	78	04040-11	Flatwasher, 7/16-.500 x 1.25 x .083	x	x
32	424369	Bracket, Spring Anchor LH 48V	x		79	04021-11	Nut, Elastic Stop 7/16-14	x	x
	424409	Bracket, Spring Anchor LH 52V		x	80	424367	Dust Shield		
33	04110-03	U-Nut, 3/8-16	x	x	81	04030-03	Lockwasher 3/8"		
34	461663	Spindle Assembly	x	x	82	424376	Bracket, Spring Anchor RH	x	
35	43589	Shaft, Spindle	x	x		424377	Bracket, Spring Anchor RH		x
36	481024	Seal Upper	x	x	83	04001-136	Bolt, Hex Head 3/8-16 x 1-1/2" Gr. 8	x	x
37	481022	Bearing Assembly	x	x	84	04001-19	Bolt, Hex Head 3/8-16 x 1"	x	x
38	48114-04	Grease Fitting	x	x	85	04021-04	Nut, Center Lock 5/16-18	x	x
39	48677	Valve, Grease Relief	x	x	86	483176	Wear Pad	x	x
40	43644	Housing, Spindle	x	x	87	43689	Idler Pivot	x	x
41	43312	Spacer, Outside	x	x	88	04003-12	Bolt, Carriage 5/16-18 x 3/4"	x	x
42	43296	Spacer, Inside	x	x	89	04040-04	Flatwasher, 5/16"	x	x
43	481025	Seal, Lower	x	x					
44	43297	Bushing, Bottom	x	x					
45	481035	Nut, Special 1-1/16 - 18	x	x					
46	43590	Spacer, Spindle	x	x					
47	482877	Cutter Blade 16.5"	x						
	482878	Cutter Blade 18"		x					
48	483210	Pulley, Idler 5" Dia.	x	x					
49	48224	Bearing	x	x					
50	461940	Idler Arm Assy.	x	x					

61V” CUTTER DECK

Ref. Part No. No.	Description	Ref. Part No. No.	Description		
1	461862	Cutter Deck Velocity Plus	51	48181	Idler Pulley, 5” Dia.
2	43687	Boss, Spring Anchor	52	424575	Belt Cover (61V)
3	424371	Bracket, LH Spring Anchor 61V	53	48926	Hub, Tapered 1-1/8” Bore
4	481625-01	Wing Nut, 3/8-16	54	483415	Idler Pulley, 3-1/2” Dia.
5	481632	Anti-Scalp Wheel	55	43689	Pivot, Idler
6	04003-26	Bolt, Carriage 3/8-16 x 4”	56	48224	Bearing
7	422478	Bracket, Anti-Scalp Wheel	57	424209	Turbo Baffle, Bolt On
8	04017-27	Bolt, Serrated Flange 3/8-16 x 1”	58	451240	Push Arm Shaft
9	04043-06	Flatwasher, 5/8” Hardened	59	461516	Push Arm (Includes 64,60,62)
10	04021-05	Locknut, 3/8-16 Center Lock	60	04020-16	Nut, 5/8-18 UNF
11	461846	Discharge Chute	61	04021-13	Nut, Elastic Stop 5/8-11
12	04001-11	Bolt, Hex Head 5/16-18 x 1-1/2”, Rear	62	48763	Rod End, 5/8 Male RH Thread
	04001-12	Bolt, Hex Head 5/16-18 x 1-3/4”, Front	63	04001-79	Bolt, Hex Head 5/8-11 x 4-1/2”
13	04021-10	Nut, Elastic Stop 5/16-18	64	48114-04	Grease Fitting, 90 Degree
14	04020-09	Nut, 5/8-11 UNC	65	483243	Belt, Deck Drive 61V
15	45944	Shaft, Roller	66	04001-09	Bolt, Hex Head 5/16-18 x 1”
16	04001-41	Bolt, Hex Head 5/8-11 x 9-1/2”	67	483185	Spring, Discharge Chute
17	48038	Roller, Rear	68	424164	Baffle Weldment, 61V
18	04001-154	Bolt, Hex Head 5/16-18 x 4-3/4”	69	04003-23	Bolt, Carriage 3/8-16 x 1”
19	04063-08	Key, 1/4 x 1/4 x 2”	70	04041-07	Flatwasher, 3/8-.391 x .938 x .105
20	483246	Spring, LH Deck Drive	71	04001-77	Bolt, Hex Head 3/8-16 X 3-1/2”
21	04043-04	Flatwasher, 3/8” - .938 x .391 x .105	72	483157	Belt, Deck Drive RH
22	04001-176	Bolt, Hex Head 5/16-18 x 1-3/4” Grade 8	73	482295	Wheel, Anti Scalp
23	04019-03	Nut, Serrated Flange 5/16-18	74	45944	Roller Shaft
24	04001-172	Bolt, Hex Head 1/4-20 x 1” Grade 8	75	483167	Bolt, Special
25	48100-15	Bushing, .376 ID Oilite	76	04003-40	Bolt, Carriage 7/16-14 x 1-1/4”
26	04030-03	Lockwasher 5/16”	77	461929	Lever Assy., Deck Level
27	04040-15	Flatwasher 5/16”	78	04001-136	Bolt, Hex Head 3/8-16 x 1-1/2” Gr.8
28	482797	Spring, R.H. Deck Drive	79	04001-19	Bolt, Hex Head 3/8-16 x 1”
29	04021-09	Nut, Elastic Stop 3/8-16	80	04019-04	Nut, Serrated Flange 3/8-16
30	461940	Idler Arm Assembly, LH Drive	81	04030-04	Lockwasher, 5/16”
31	461946	Idler Arm Assembly, RH Drive	82	43689	Pivot, Idler Short
32	483286	Pulley, Tapered Bore 6.33” Dia.	83	04003-12	Bolt, Carr. 5/16-18 x 3/4”
33	04110-03	U-Nut, 3/8-16	84	483176	Wear Pad
34	461663	Spindle Assembly	85	04040-04	Flatwasher, 5/16-.344 x .688 x .065
35	43589	Shaft, Spindle	86	04021-04	Nut, Center Lock 5/16”
36	481024	Seal Upper	87	04001-19	Bolt, Hex Head 3/8-16 x 1”
37	481022	Bearing Assembly	88	04001-31	Bolt, Hex Head 3/8-16 x 2-1/2”
38	48114-04	Grease Fitting	89	04021-11	Nut, Elastic Stop 7/16-14
39	48677	Valve, Grease Relief	90	04040-11	Flatwasher, 7/16-.500 x 1.250 x .083
40	43644	Housing, Spindle	91	04001-46	Bolt, Hex Head 3/8-16 x 2-1/4”
41	43312	Spacer, Outside	92	04001-54	Bolt, Hex Head 3/8-16 x 3”
42	43296	Spacer, Inside	93	04021-09	Nut, Elastic Stop 3/8-16
43	481025	Seal, Lower	94	483287	Pulley, Double Groove 6.33 Dia.
44	43297	Bushing, Bottom			
45	481035	Nut, Special 1-1/16 - 18			
46	43590	Spacer, Spindle			
47	482879	Cutter Blade 21”			
48	483287	Pulley, Double Groove 6.33” Dia.			
49	424367	Dust Shield			
50	483210	Idler Pulley, 5” Dia.			

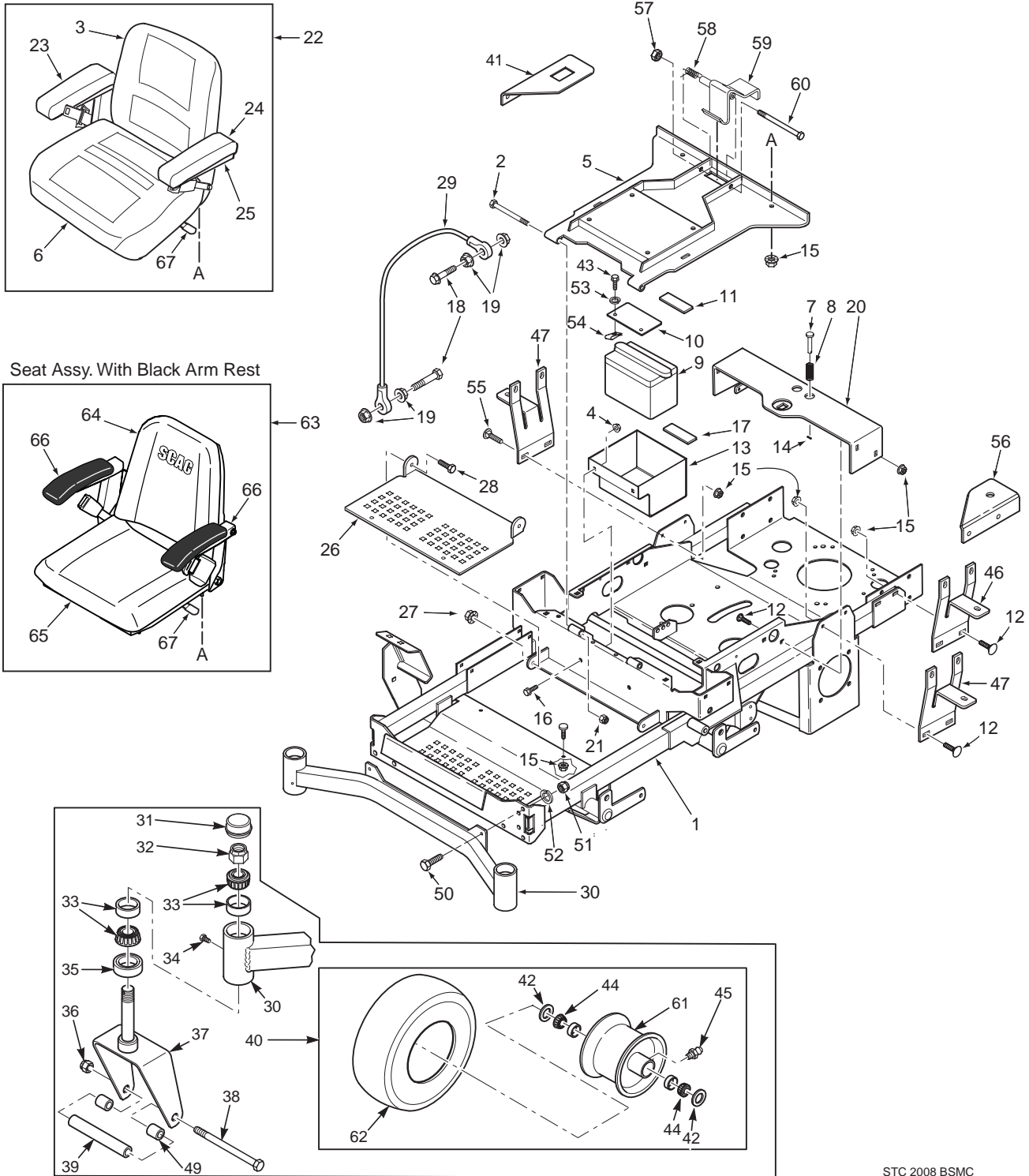
CUTTER DECK CONTROLS



CUTTER DECK CONTROLS

Ref. No.	Part No.	Description
1	482624	Rod, Deck Lift Linkage
2	04020-28	Nut, Jam 1/2-20 LH Thread
3	481766	Rod End, 1/2-20 Female Thread
4	04050-10	Retaining Ring, 1/2" External "E"
5	483062	Slide, Deck Height Adjust
6	43487	Pin, Deck Lift
7	423463	Bracket, Cutting Height Adjustment
8	04001-22	Bolt, Hex Head 3/8-16 x 2-3/4"
9	43668	Bushing .502 OD
10	04021-09	Nut, Elastic Stop 3/8-16
11	461874	Lever, Deck Latch
12	422346	Slide, Cutting Height
13	04014-03	Screw, Cap 5/16-18 x 3" FHHS
14	422381	Guide, Short
15	04003-04	Bolt, Carriage 5/16-18 x 1"
16	422380	Guide, Long
17	483177	Spring, Helper
18	04021-05	Nut, 3/8-16 Center Lock
19	04040-09	Flatwasher, 5/8-.656 x 1.312 x .095
20	04019-04	Nut, 3/8-16 Serr. Flange
21	04001-32	Bolt, Hex Head 3/8-16 x 1-1/4"
22	43678	Swivel Joint LH
23	04061-07	Cotter Pin, 3/16 x 1"
24	04019-04	Nut, Serr. Flange 3/8-16
25	04001-20	Bolt, Hex Head 3/8-16 x 1-1/2"
26	04019-04	Nut, Serr. Flange 3/8-16
27	04021-09	Nut, Elastic Stop 3/8-16
28	48540	Chain
29	48114-04	Grease Fitting, 1/4-28 Self Tap
30	483181	Torsion Spring
31	461929	Lever Assy., Deck Level
32	04004-45	Stud, 1/2-13 x 20"
33	04067-09	Pin
	481547	Lanyard
34	04020-09	Nut, 5/8-11 UNC
35	43679	Swivel Joint RH
36	04001-155	Bolt, Hex Head 1/2-13 x 5"
37	481765	Rod End, 1/2-20 Female RH Thread
38	04001-77	Bolt, Hex Head 3/8-16 x 3-1/2"
39	43572	Spacer
40	04021-02	Lock Nut, 1/4-20
41	43630	Spacer
42	04020-27	Nut, 1/2-20 UNF-2B
43	04021-10	Nut, Elastic Stop 5/16-18
44	45904	Lift Bellcrank Weldment, LH Rear
	45905	Lift Bellcrank Weldment, RH Rear
	04041-14	Flatwasher, 1.0-1.062 x 1.5 x .048
	04050-08	Retaining Ring, 1" ext.
45	04062-04	Hair Pin Cotter, .177 x 3-1/4"
46	481477	Grip, Deck Latch Lever

SHEET METAL COMPONENTS

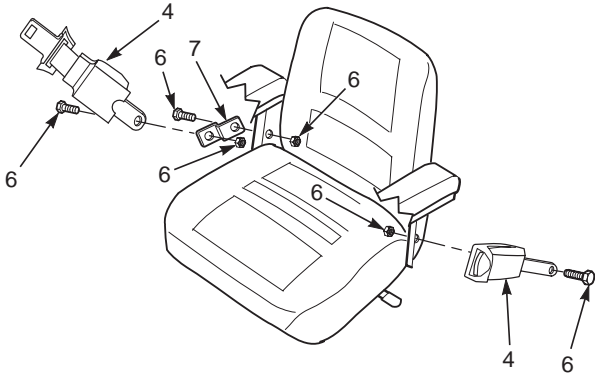


STC 2008 BSMC

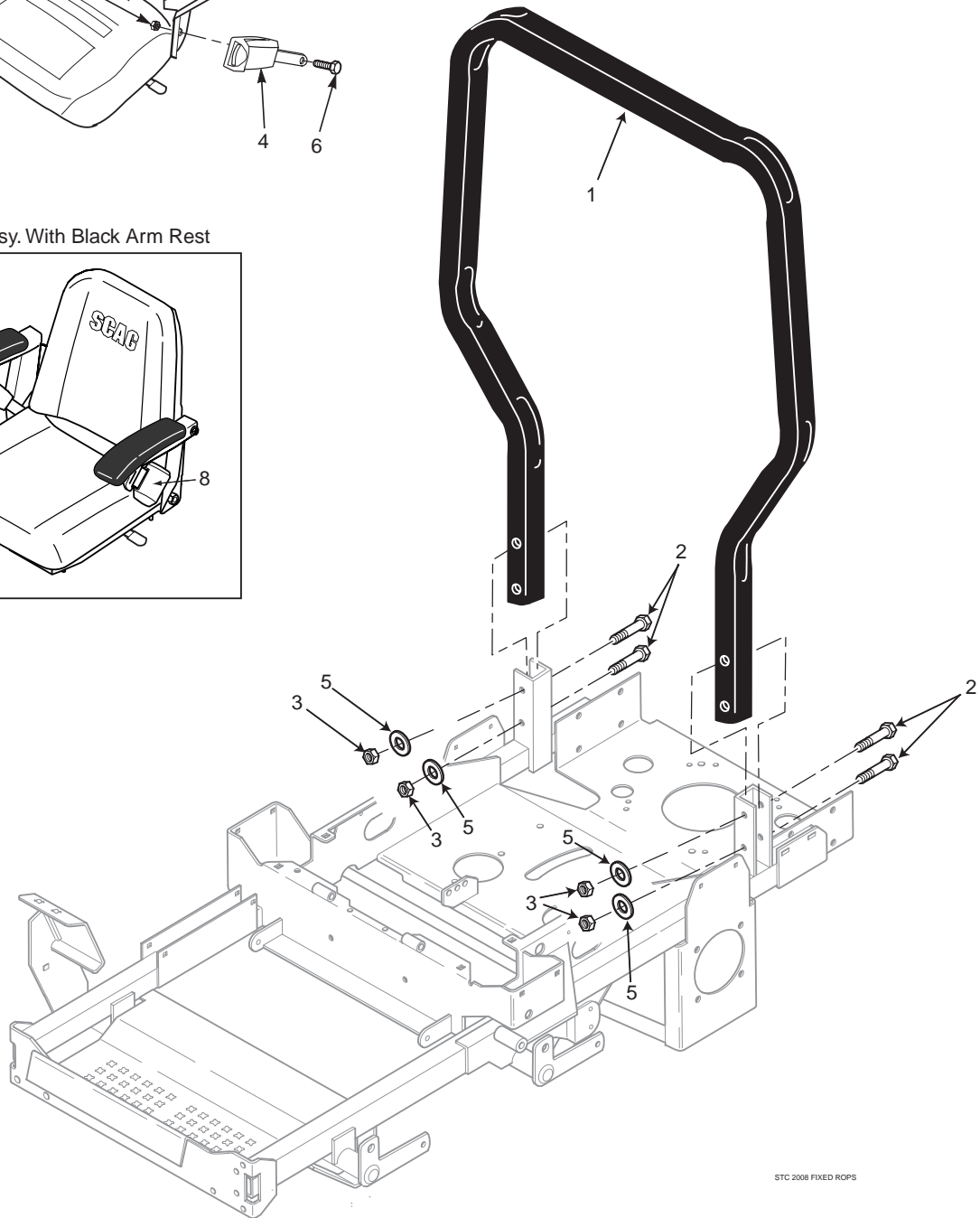
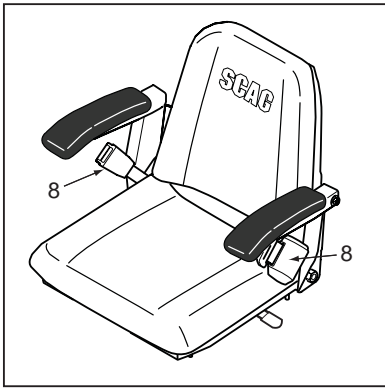
SHEET METAL COMPONENTS

Ref. No.	Part No.	Description	Ref. No.	Part No.	Description
1	461918	Main Frame Assembly w/decals	36	04021-07	Nut, Elastic Stop 1/2-13
2	04001-73	Bolt, Hex Head 5/16-18 x 3-3/4"	37	451471	Yoke, Front Caster Wheel
3	482632	Cushion, Back		451658	Yoke, Front Caster Wheel (61")
4	04019-04	Nut, Serr. Flange 3/8-16	38	04001-134	Bolt, Hex Head 1/2-13 x 7-1/2"
5	461989	Plate, Seat Mounting w/decals		04001-167	Bolt, Hex Head 1/2-13 x 9-1/2" (61")
6	482111	Cushion, Lower Seat	39	43581	Sleeve - 48" & 52"
7	43462	Pin Retainer, Spring		43583	Sleeve - 61"
8	481389	Spring	40	482503	Caster Wheel Assembly
9	**	Battery (not available through Scag)		482504	Caster Wheel Assembly (61")
10	423571	Battery Cover	41	424112	Bracket, Hour Meter
11	482553	Battery Hold Down Pad	42	482622	Seal
12	04003-12	Bolt, Carr. 5/16-18 x 3/4"	43	04001-32	Bolt, Hex Head 3/8-16 x 1-1/4"
13	423556	Battery Box	44	482621	Roller Bearing
14	04060-01	Roll Pin, Spring 5/32 x 3/4"	45	48114-04	Fitting, Grease
15	04019-03	Nut, Serr. Flange 5/16-18	46	423575	Mounting Bracket, Oil Tank
16	04001-19	Bolt, Hex Head 3/8-16 x 1"	47	423764	Mounting Bracket, Fuel Tank
17	482552	Pad, Rubber	48	482633	Seat Pan
18	04001-59	Bolt, Hex Head 1/4-20 x 1-1/4"	49	43584	Spacer, Caster Wheel
19	04019-02	Nut, Serr. Flange 1/4-20	50	04001-28	Bolt, Hex Head 7/16-14 x 1-1/4"
20	451896	Seat Base Support	51	04021-11	Nut, Elastic Stop 7/16-14
21	04021-10	Nut, Elastic Stop 5/16-18	52	04030-05	Lockwasher, 7/16
22	483385	Seat Assembly w/ adj. rails	53	04030-04	Lock Washer. 3/8 Spring
23	482108	Arm Pad, RH	54	04110-03	U-Nut, 3/8-16
	482110	Bracket, Armrest RH	55	04003-04	Bolt, Carriage 5/16-18 x 1"
24	482107	Arm Pad, LH	56	423912	Bracket, Fuel Valve
	482109	Bracket, Armrest LH	57	04021-05	Lock Nut, 3/8-16 Center Lock
25	482183	Channel, Armrest	58	483371	Spring, Seat Latch
26	423557	Footplate	59	451897	Seat Latch Weldment
27	04021-09	Nut, Elastic Stop 3/8-16	60	04001-100	Bolt, Hex Head 3/8-16 x 6"
28	04001-19	Bolt, Hex Head 3/8-16 x 1"	61	482625	Rim 48" & 52"(Includes Item 45)
29	48566	Cable, Seat Stop		482620	Rim 61" (Includes Item 45)
30	451826	Weldment, Caster Support (48" & 52")	62	481613	Tire, 13 x 5.0-6 Smooth - 48" & 52"
	451827	Weldment, Caster Support (61")		482619	Tire, 13 x 6.5 Smooth (61")
31	481559	Cap, Grease	63	483736	Seat Assembly w/ adj. rails
32	04021-20	Nut, Elastic Stop 1.0-14	64	483544	Cushion, Back
33	48668	Bearing Set	65	483545	Cushion, Lower Seat
34	482028-01	Plug, 1/4-28	66	483549	Arm rest Kit
35	481025	Seal, 2.0" OD x 1.625" ID	67	482635	Seat Adjustment Track Set

STC FIXED ROLL-OVER PROTECTION SYSTEM



Seat Assy. With Black Arm Rest

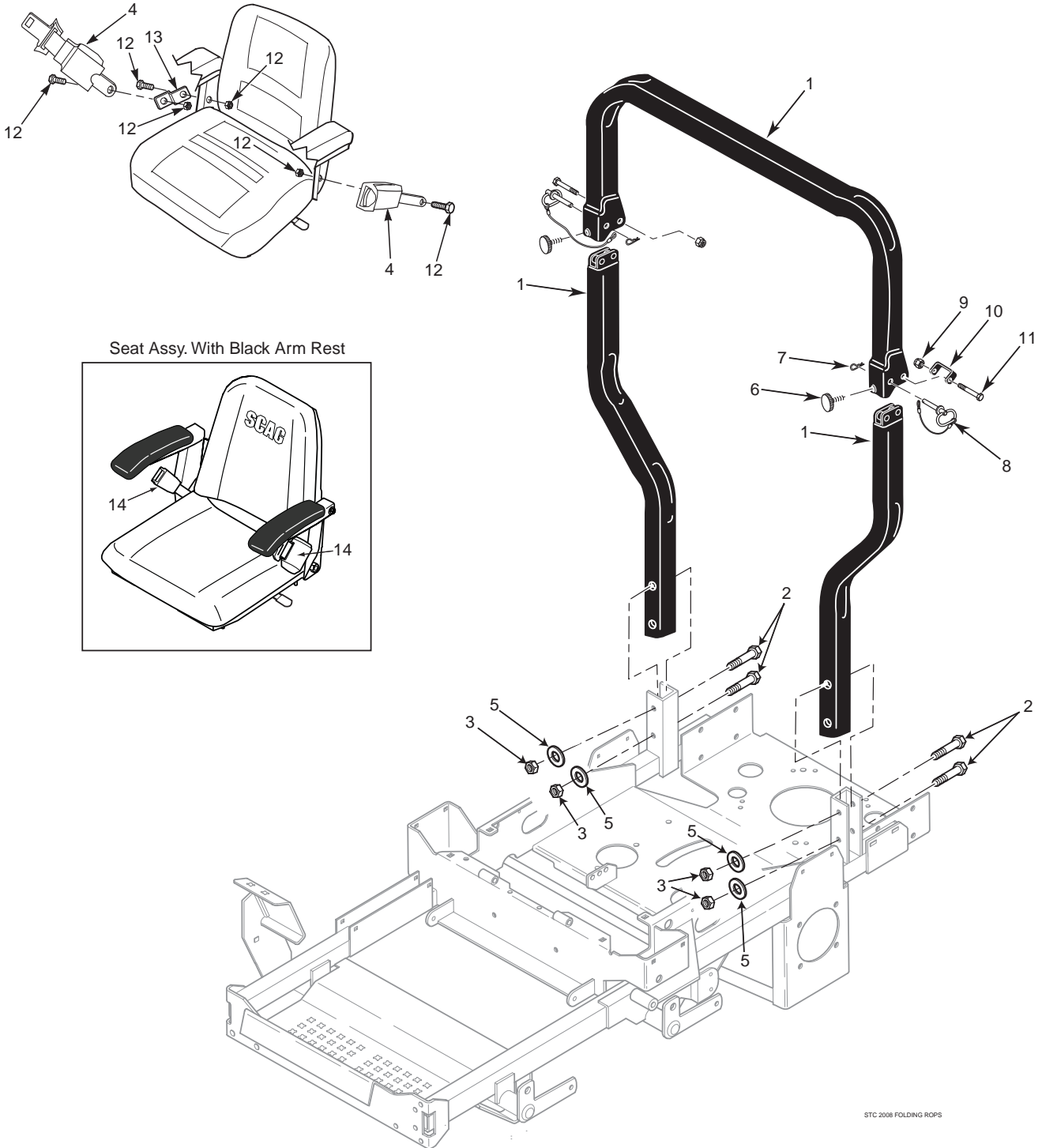


STC 2008 FIXED ROPS

STC FIXED ROLL-OVER PROTECTION SYSTEM

Ref. No.	Part No.	Description
1	9506	STC Fixed ROPS Accessory (incl. all items listed)
2	04001-145	Bolt, Hex Head 1/2-13 x 3-1/2"
3	04021-19	Nut, Center Lock 1/2-13
4	483412	Retractable Seat Belt
5	04040-13	Flatwasher, 1/2-.562 x 1.375 x .109
6	461990	Seat Hardware Kit, STC
7	483451	Bracket
8	483412	Retractable Seat Belt (Seat with Black Arm Rest)
	461990	Hardware Package, Seat Belt Mounting

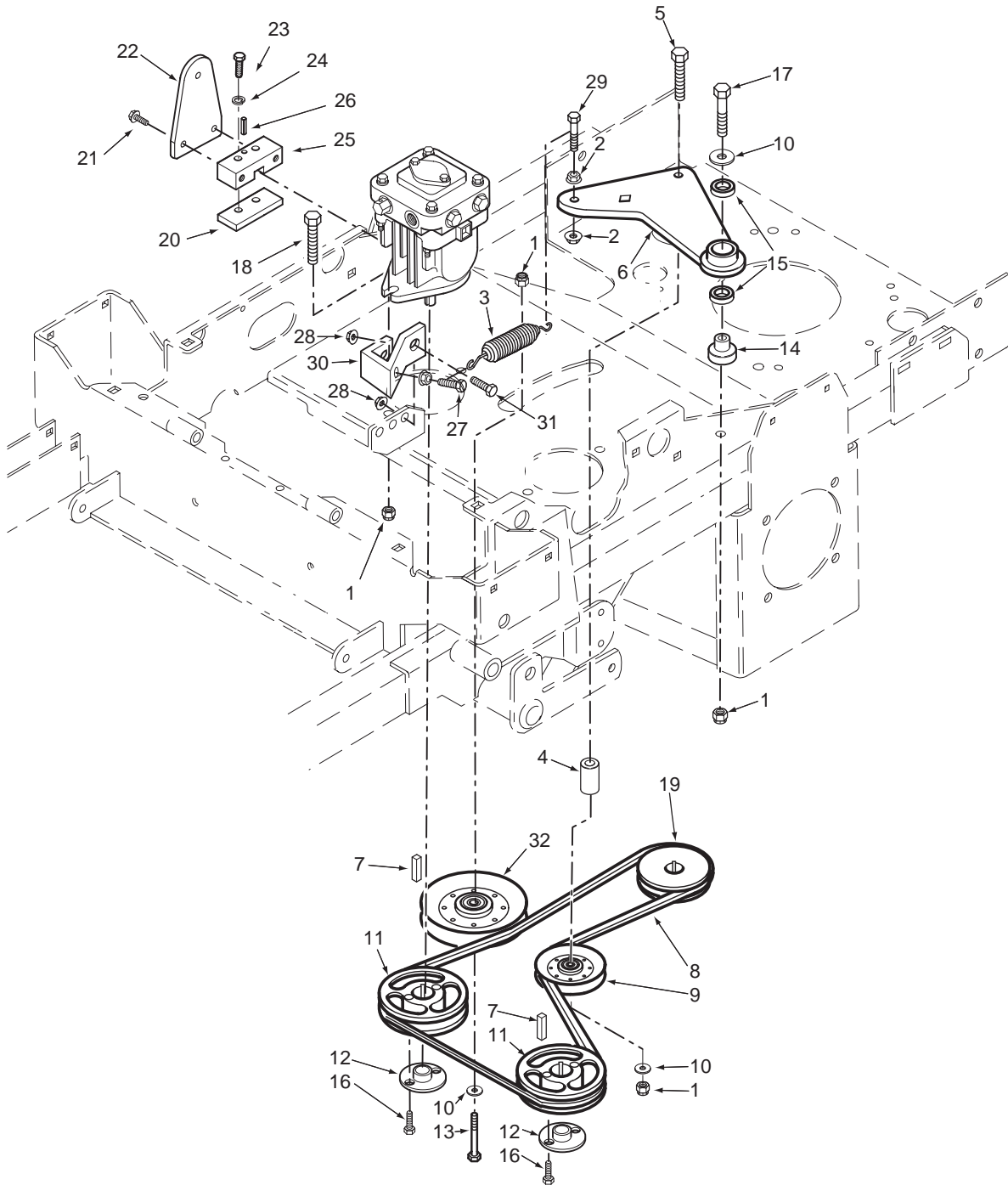
STC FOLDABLE ROLL-OVER PROTECTION SYSTEM



STC FOLDABLE ROLL-OVER PROTECTION SYSTEM

Ref. Part No. No.	Description
1 9512	STC Foldable ROPS Accessory (incl. all items listed)
2 04001-145	Bolt, Hex Head 1/2-13 x 3-1/2"
3 04021-19	Nut, Center Lock 1/2-13
4 483412	Retractable Seat Belt
5 04040-13	Flatwasher, 1/2-.562 x 1.375 x .109
6 481625-03	Thumb Screw, 5/16-18 NC x 3/4"
7 04062-06	Hair Pin, Cotter
8 483262	Pin
9 04021-19	Nut, Center Lock 1/2-13
10 424407	Bracket, Stop
11 04001-145	Bolt, Hex Head 1/2-13 x 3-1/2"
12 461990	Seat Hardware Kit, STC
13 483451	Bracket
14 483412	Retractable Seat Belt (Seat with Black Arm Rest)
461990	Hardware Package, Seat Belt Mounting

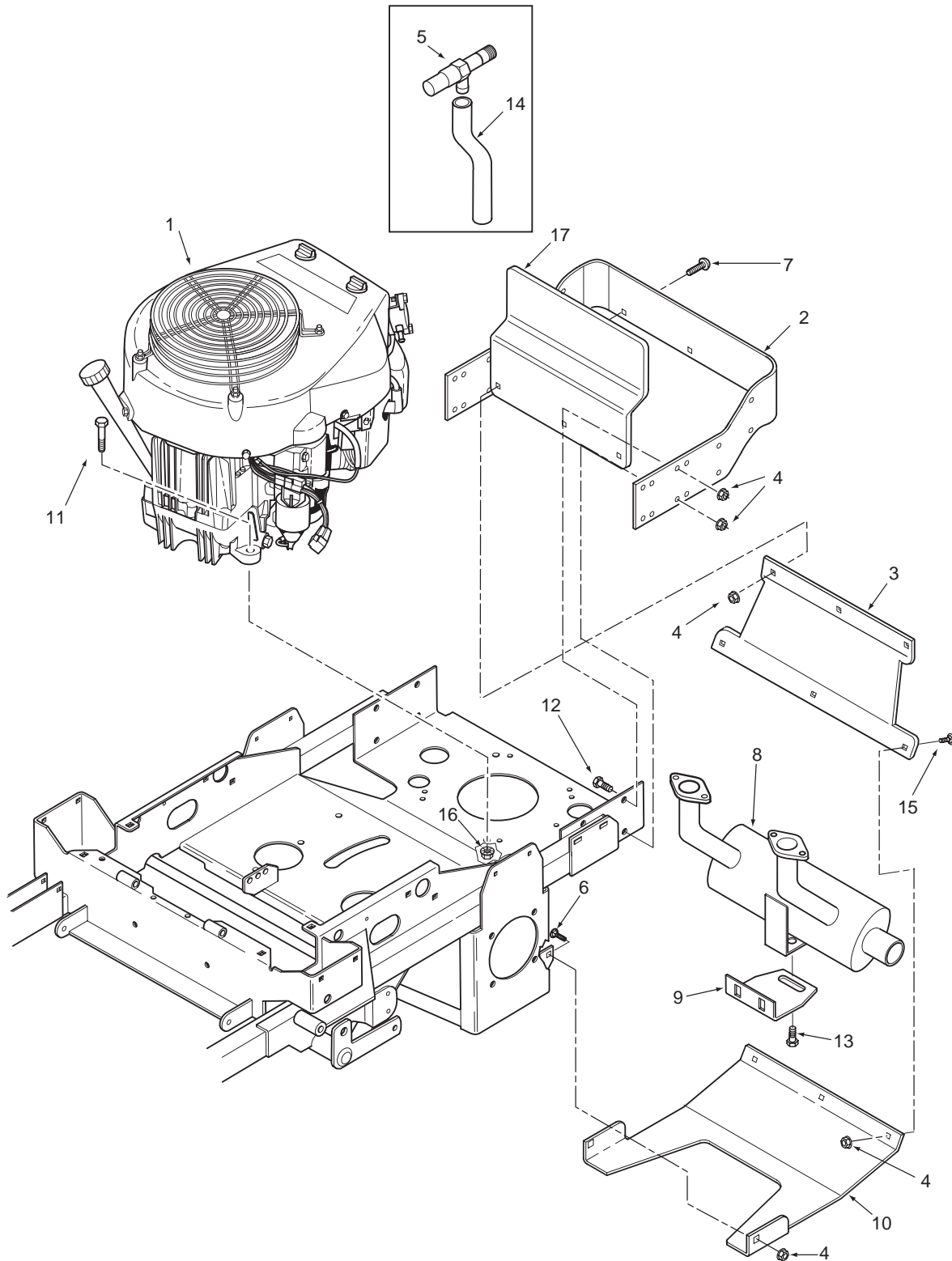
DRIVE SYSTEM COMPONENTS



DRIVE SYSTEM COMPONENTS

Ref. Part No. No.	Description
1	04021-09 Nut, Elastic Stop 3/8-16
2	04019-04 Nut, Serrated Flange 3/8-16
3	483087 Spring, Pump Idler
4	43286 Spacer
5	04001-22 Bolt, Hex Head 3/8-16 x 2-3/4"
6	461603 Idler Arm Assy., Pump Drive
7	04063-14 Key, 5 x 5 x 25mm
8	483172 Belt, Transmission
9	483415 Pulley, 3-1/2" Dia. Idler
10	04043-04 Flatwasher, 3/8-.391 x .938 x .105
11	482744 Pulley, 5.75 OD Taper Bore
12	482085 Hub, Tapered, 15mm Bore
13	04001-45 Bolt, 3/8-16 x 2"
14	43503 Pivot, Idler
15	48224 Bearing
16	04001-172 Bolt, Hex Head 1/4-20 x 1" Grade 8
17	04001-31 Bolt, Hex Head 3/8-16 x 2-1/2"
18	04001-20 Bolt, Hex Head 3/8-16 x 1-1/2"
19	483081 Pulley, 5.75 Dia. - 1.125" Bore
20	421203 Clamp Plate
21	04017-05 Hex Head Capscrew, 1/4-20 x 3/4"
22	422969 Control Lever, Pump
23	04017-05 Hex Head Capscrew, 1/4-20 x 3/4"
24	04030-02 Lockwasher, 1/4"
25	48829 Block, Pump Control
26	04060-06 Roll Pin
27	04001-136 Bolt, Hex Head 3/8-16 x 1-1/2" Grade 8
28	04019-04 Nut, Serr. Flange 3/8-16
29	04001-136 Bolt, Hex Head 3/8-16 x 1-1/2" Grade 8
30	424137 Bracket
31	04001-19 Bolt, Hex Head 3/8-16 x 1"
32	483215 Pulley, 5" Dia. Idler

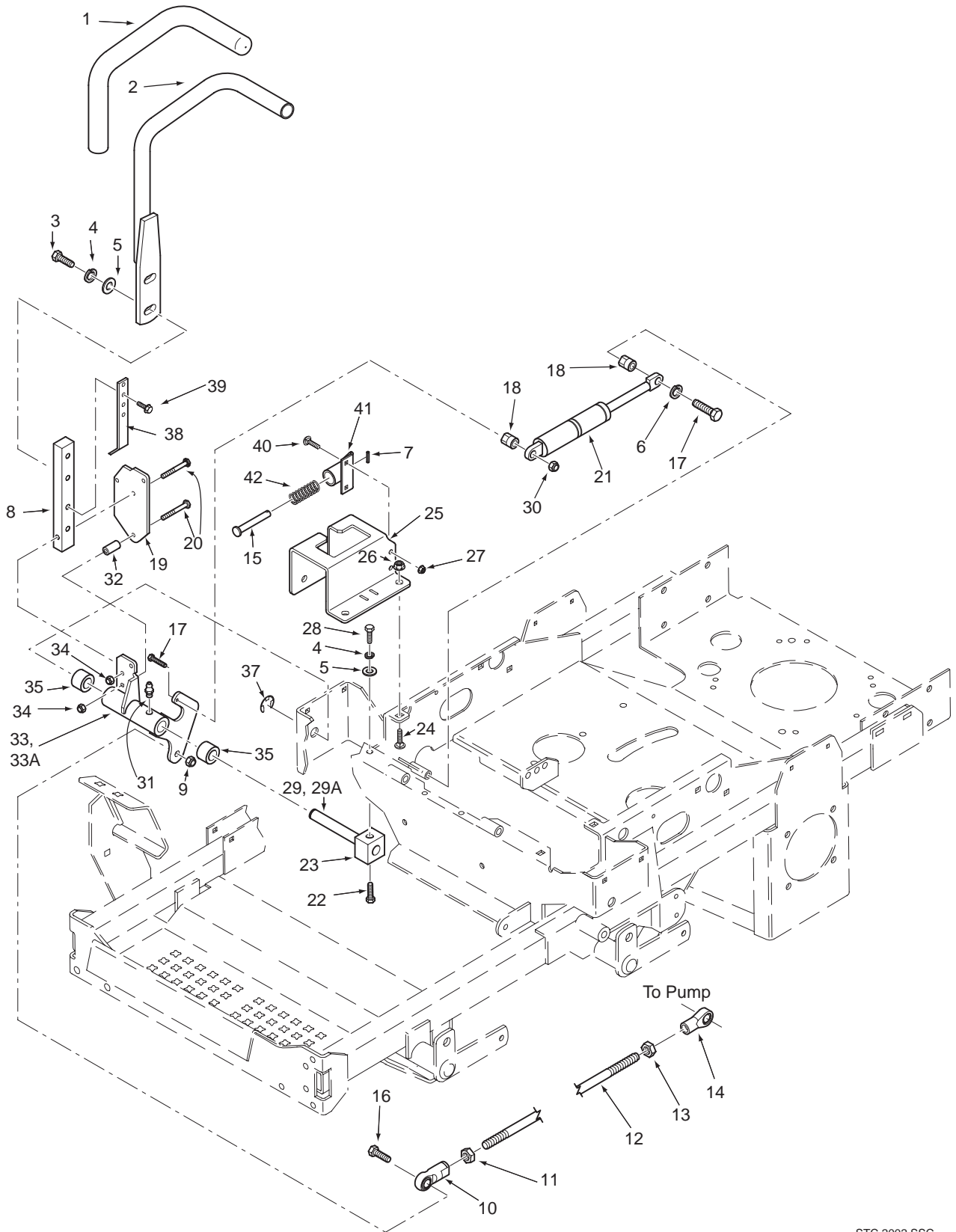
ENGINE AND ATTACHING PARTS



ENGINE AND ATTACHING PARTS

Ref. No.	Part No.	Description
1	483439	Engine, Briggs & Stratton 26hp ELS
	483401	Engine, Briggs & Stratton 23hp Vanguard
	483685	Engine, Kohler Command 25hp
2	423770	Bumper, Rear
3	424107	Shield, Rear (48" & 52")
	41031	Weight, Rear Shield (61" Only)
4	04019-04	Nut, Serr. Flange 3/8-16
5	482510	Extension, Oil Drain 3.3"
6	04003-23	Bolt, Carr. 3/8-16 x 1"
7	04104-01	Bolt, 3/8-16 x 1" Torx
8	483288	Muffler, Briggs & Stratton 26ELS
	483416	Muffler, Briggs & Stratton 23hp Vanguard
	483266	Muffler, Kohler
9	424133	Bracket, Muffler
10	423555	Plate, Skid
11	04001-11	Bolt, Hex Head 5/16-18 x 1-1/2"
12	04001-19	Bolt, Hex Head 3/8-16 x 1"
13	04011-12	Screw, Hex Head 5/16-18 x 3/4" Self Tap
14	483280-01	Tubing, Oil Drain 1/2" x 8"
15	04003-31	Bolt, Carr. 3/8-16 x 3/4"
16	04019-03	Nut, Serr. Flange 5/16-18
17	424415	Guard, Carb Inlet

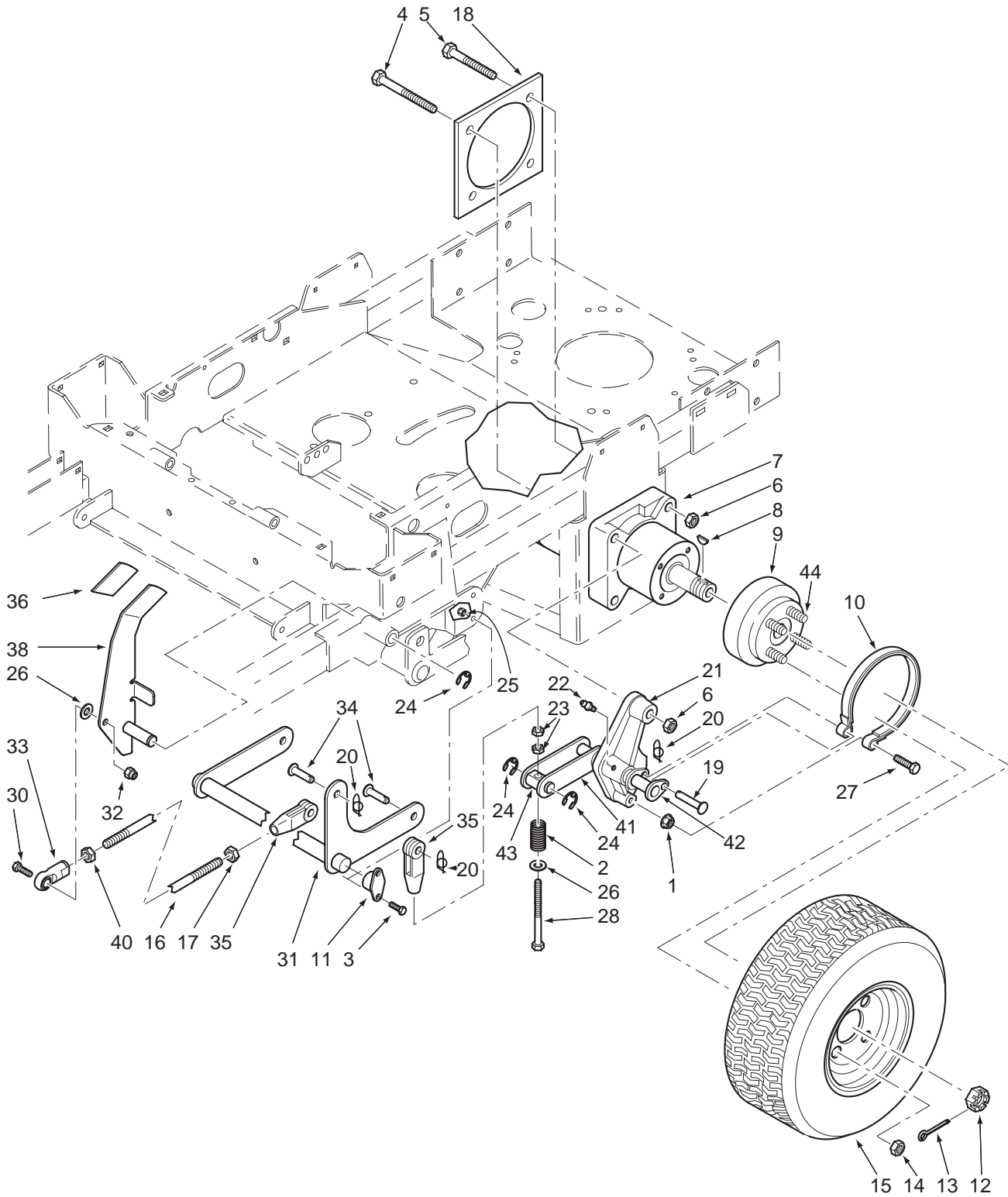
STEERING COMPONENTS



STEERING COMPONENTS

Ref. Part No. No.	Description
1	482340 Grip, Control Lever
2	461386 Handle Bar (Includes item 1)
3	04001-32 Bolt, Hex Head 3/8-16 x 1-1/4"
4	04030-04 Lock Washer, 3/8"
5	04041-07 Flatwasher, 3/8-.391 x .938 x .105
6	04040-15 Flatwasher, 5/16-.375 x .875 x .083
7	04060-01 Roll Pin, Spring 5/32 x 3/4"
8	422372 Bar, Control Lever
9	04021-09 Nut, Elastic Stop 3/8-16
10	482330 Rod End, 3/8-24 RH Female
11	04020-14 Nut, 3/8-24 RH Thread
12	482623 Rod, Pump Control Linkage
13	04020-17 Nut, 3/8-24 UNF-2B LH Thread
14	482331 Rod End, 3/8-24 LH Thread
15	43477 Pin Retainer
16	04001-20 Bolt, Hex Head 3/8-16 x 1-1/2"
17	04001-12 Bolt, Hex Head 5/16-18 x 1-3/4"
18	43602 Spacer, Pump Dampener
19	423599 Plate, Control Lever
20	04001-17 Bolt, Hex Head 5/16-18 x 2"
21	482452 Gas Damper
22	04001-19 Bolt, Hex Head 3/8-16 x 1"
23	482099 Block, Clamping
24	04003-12 Bolt, Carriage, 5/16-18 x 3/4"
25	461770 Control Plate - LH (Includes Decal)
	461771 Control Plate - RH (Includes Decal)
26	04019-03 Nut, Serr., Flange, 5/16-18
27	04021-08 Nut, Elastic Stop 1/4-20
28	04001-18 Bolt, Hex Head 3/8-16 x 3/4"
29	43616 Shaft, Steering Control
30	04021-10 Nut, Elastic Stop 5/16-18
31	48114-04 Grease Fitting, 1/4-28 Self Tap
32	43559 Spacer, Control
33	49574 Control Lever Assy RH (Includes 31 & 35)
	49573 Control Lever Assy LH (Includes 31 & 35)
34	04021-10 Nut, Elastic Stop 5/16-18
35	48100-06 Bushing
36	04041-08 Flatwasher, 1-1/4 x 49/64 x 16 Ga.
37	04050-02 Retaining Ring, 3/4" Ext.
38	423057 Bracket, Switch Actuator
39	04017-16 Bolt, Hex Serr. Flange 5/16-18 x 3/4"
40	04003-02 Bolt, Carr. 1/4-20 x 3/4"
41	45918 Bracket, Control Return
42	481389 Spring
43	43477 Pin Retainer

BRAKE COMPONENTS

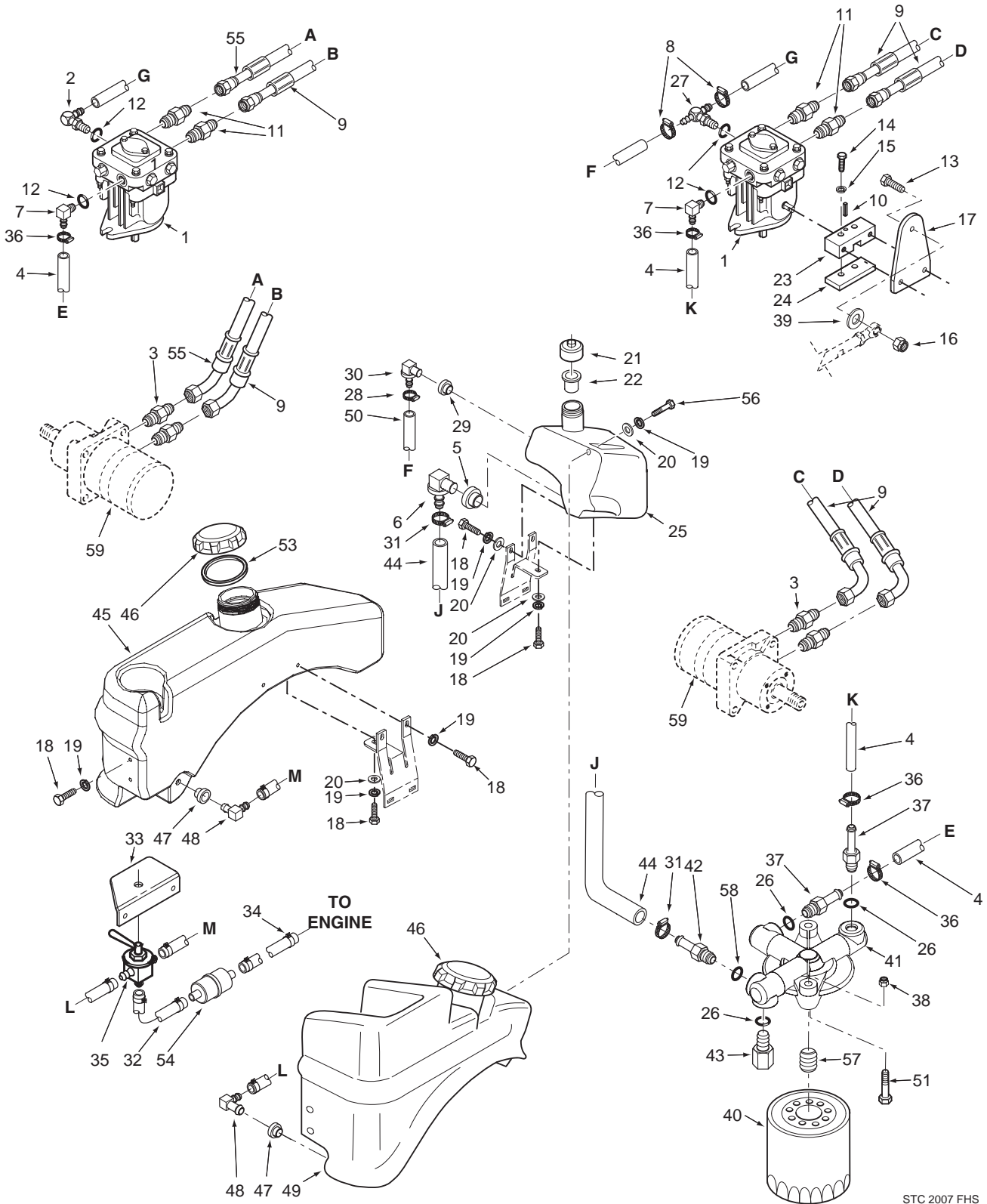


STC 2002 BSC

BRAKE COMPONENTS

Ref. Part No.	No.	Description
1	04019-06	Nut, Serr. Flange 1/2-13
2	48807	Spring
3	04001-08	Bolt, Hex Head 5/16-18 x 3/4"
4	04001-163	Bolt, Hex Head 1/2-13 x 3-3/4"
5	04001-52	Bolt, Hex Head 1/2-13 x 2-1/2"
6	04021-19	Nut, 1/2-13 Center Lock
7	483190	Wheel Motor, Hydro-Gear
8	04063-25	Key, Woodruff 5/16 x 1"
9	461438	Wheel Hub Assembly
10	483644	Brake Band Assembly
11	482061	Bushing, Self Align
12	48680	Nut, Hex Castle 1.0-20 UNEF
13	04061-06	Cotter Pin, 9/64 x 1-1/2"
14	04028-02	Lug Nut, 1/2-20
15	482044	(48" & 52") Wheel Assembly 23 x 9.5 -12
	481850	(61") Wheel Assembly 24 x 12 x 12
	481659	(48" & 52") Rim
	481851	(61") Rim
	482194	(48" & 52") Tire 23 x 9.5 - 12
	481852	(61") Tire 24 x 12 x 12
16	04004-46	Brake Rod Stud, 3/8-24 x 8.125
17	04020-14	Nut, 3/8-24 UNF
18	423279	Plate Weldment, Motor Backing
19	04064-16	Clevis Pin, 3/8 x 1.93"
20	04069-01	Pin, Rue Cotter 3/8 Dia.
21	451970	Brake Linkage LH
	451971	Brake Linkage RH
22	48114-04	Grease Fitting, 1/4-28
23	04020-25	Nut, 3/8-24 UNF
24	04050-01	Retaining Ring, .625 Ext.
25	04021-10	Nut, Elastic Stop 5/16-18
26	04041-07	Flatwasher, 3/8-.391 x .938 x .105
27	04001-187	Bolt, Hex Head 1/2-13 x 2-1/2" Grade 8
28	04001-166	Bolt, Hex Head 3/8-24 x 3-3/4"
29	04061-02	Cotter Pin, 3/32 x 3/4"
30	04001-20	Bolt, Hex Head 3/8-16 x 1-1/2"
31	451463	Brake Shaft
32	04021-09	Nut, Elastic Stop 3/8-16
33	48544	Rod End, 3/8-24 LH Thread
34	04064-02	Clevis Pin, 3/8 x 1.06
35	48343-04	Clevis, 3/8-24
36	482102	Grip, Brake Lever
37	04019-04	Nut, Serr. Flange 3/8-16
38	461509	Brake Lever (includes item 36)
39	04001-22	Bolt, Hex Head 3/8-16 x 2-3/4"
40	04020-17	Nut, 3/8-24 UNF-2BLH Thread
41	422483	Lever, Brake
42	45974	Shaft Weldment, Pivot
43	43495	Pin, Pivot
44	04008-01	Bolt, Serr. Flange 1/2-20 x 4.563"

FUEL AND HYDRAULIC SYSTEM



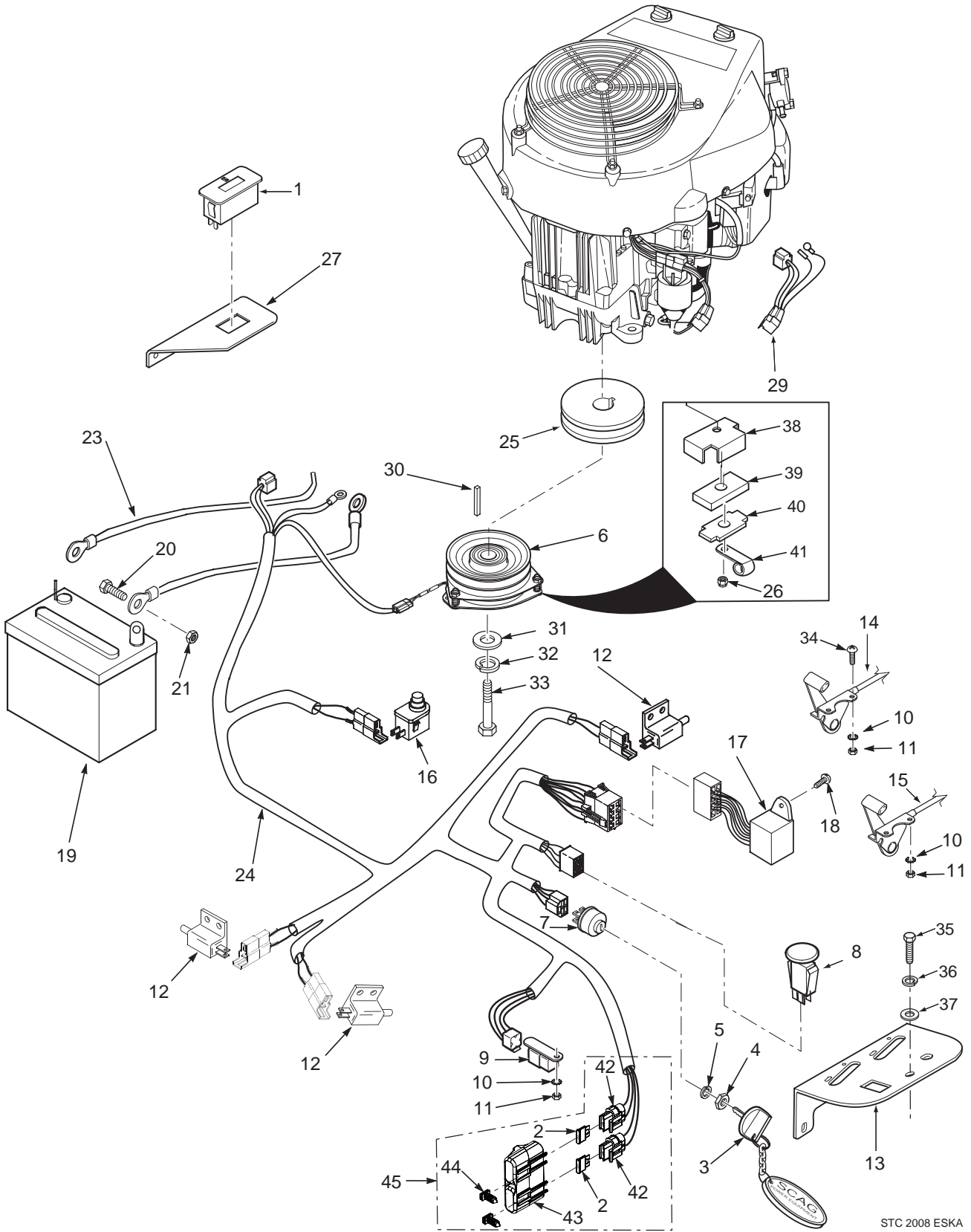
STC 2007 FHS

FUEL AND HYDRAULIC SYSTEM

Ref. Part No. No.	Description	Ref. Part No. No.	Description
1	482643 Pump, BDP-10A-316 (L.H.)	30	482572 Elbow, 0.38 Hose
	482644 Pump, BDP-10A-419 (R.H.)	31	48136-13 Clamp
2	482266-01 Elbow, 90 Degree 9/16 O-Ring x 3/8 Hose	32	483617 Fuel Hose, 1/4 ID Non-Perm.
3	48572-02 Fitting, 1/2" JIC x 5/8 O-Ring	33	423912 Bracket Fuel Valve
4	48811 Hose, 3/8 Pushlock (Specify length)	34	48059-01 Clamp, Fuel Hose 1/4 Hose ID
5	482573 Bushing	35	482212 Valve, Fuel Shutoff
6	482574 Fitting	36	48136-13 Clamp, .69 Max. / .25 Min. Dia.
7	482266-01 Elbow, 90 Degree 9/16 O-Ring x 3/8 Hose	37	482800-02 Fitting, 9/16 O-Ring x 3/8 Hose
8	48136-13 Hose Clamp, .69 Dia.	38	04019-03 Nut, Serr. Flange 5/16-18
9	482548 Hose Assembly	39	04041-07 Flatwasher, 3/8-.391 x .938 x .105
10	04060-06 Roll Pin	40	48462-01 Oil Filter
11	48572-04 Fitting, 1/2" JIC x 1/2" O-Ring	41	482798 Filter Head Assembly
12	48603-06 O-Ring	42	482800-01 Fitting, 3/4 O-Ring x 3/8 Hose
13	04001-20 Bolt, Hex Head 3/8-16 x 1-1/2"	43	48604-03 Plug, 9/16-18 O-Ring
14	04017-07 Bolt, Hex Head 1/4-20 x 1-1/4"	44	482557 Hose, Filter Inlet
15	04030-02 Lockwasher	45	461969 Fuel Tank RH
16	04021-09 Nut, Elastic Stop 3/8-16	46	482547 Cap, Fuel Tank (incl. item #53)
17	422969 Control Lever	47	48309 Tank Bushing
18	04001-08 Bolt, Hex Head 5/16-18 x 3/4"	48	48939 Elbow, 90 Degree
19	04030-03 Lockwasher, 5/16	49	461476 Fuel Tank LH
20	04040-15 Flatwasher, 5/16-.375 x .875 x .083	50	48811 Hose, 3/8 Pushlock 15" Long
21	481164 Cap, Hydraulic Tank	51	04001-17 Bolt, Hex Head 5/16-18 x 2"
22	481507 Insert, Filler Neck	52	04010-10 Screw, 1/4-20 x 2"
23	48829 Control Block	53	482774 Gasket, Gas Tank Cap
24	421203 Clamp Plate	54	** Fuel Filter
25	461479 Hydraulic Tank Assembly w/fittings	55	482605 Hose Assembly
26	48603-06 O-Ring, 9/16"	56	04001-11 Bolt, Hec Head 5/16-18 x 1-1/2
27	482277 Tee Fitting, O-Ring to Barb	57	482802 Nipple, Oil Filter 1.0-12 UNF-2A x 1-1/4"
28	48136-13 Clamp, .69 Max. / .25 Min. Dia.	58	48603-02 O-Ring, 3/4"
29	482571 Bushing	59	483190 Wheel Motor, Hydro-Gear

** Available through the individual engine manufacturer.

ELECTRICAL SYSTEM

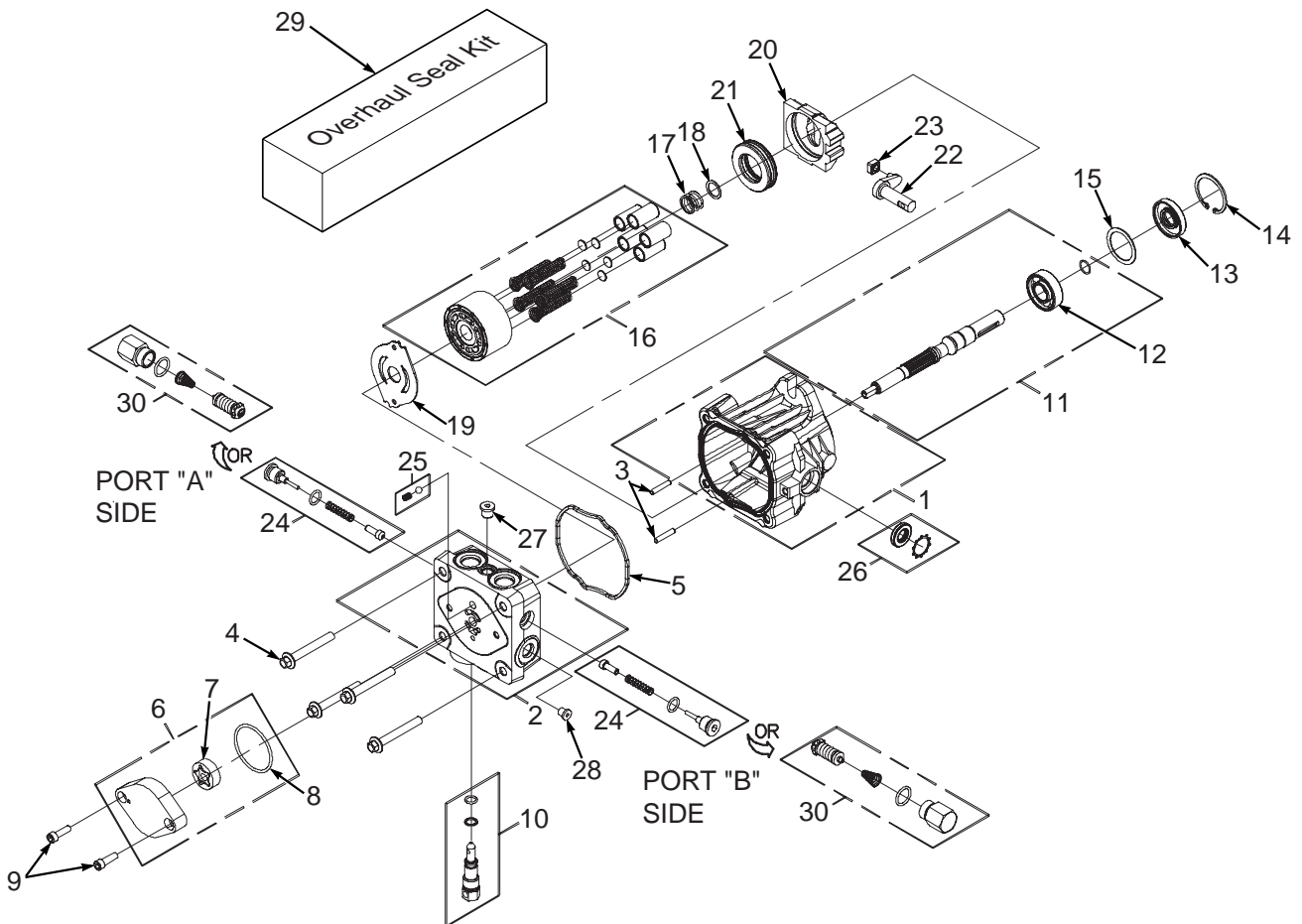


STC 2008 ESKA

ELECTRICAL SYSTEM

Ref. No.	Part No.	Description
1	483355	Hourmeter
2	48298	Fuse, 20 amp
3	483366	Key, Ignition
	462069	Key Assembly w/Fob
4	48017-04	Nut, Hex 5/8-32
5	48017-03	Lockwasher, 5/8" Internal
6	461660	Electric PTO Clutch GT3.5
7	48798	Switch, Ignition
8	483162	Switch, PTO
9	483013	Relay
10	04031-01	Lock Washer, #10 External Tooth
11	04020-01	Nut, Hex #10-32
12	481637	Switch, N/O
13	461768	Panel, Instrument
14	482032	Choke Control - Briggs & Stratton
	481544	Choke Control - Kohler
15	482032	Throttle Control
16	481638	Switch, Seat
17	483029	Module, Interlock
18	04010-01	Screw, #10-32 x .5" Phillips Head
19	483420	Battery, 330CCA (Not Available Through Scag)
20	04001-44	Bolt, Hex Head 1/4-20 x .5"
21	04020-02	Nut, Hex 1/4-20
22	48029-15	Cable, Battery Black (negative)
23	48029-12	Cable, Battery Red (positive)
24	483618	Wiring Harness, Main
25	483081	Pulley, 5.45 OD x 1.125 Bore
26	04021-10	Nut, Elastic Stop 5/16-18 Key
27	424112	Mounting Bracket, Hour Meter
28	04010-11	Screw, #10-32 x 1.5" Phillips Head
29	482836	Adaptor, Wiring Harness - Briggs & Stratton
	482094	Adaptor, Wiring Harness - Kohler
30	04063-23	Key, 1/4 x 1/4 x 3-1/4"
31	04041-28	Flatwasher, 7/16-.469 x 1-3/4" x 1/4"
32	04030-05	Lockwasher, 7/16"
33	04001-101	Bolt, Hex Head 7/16-20 x 2-1/2" UNF
34	04010-12	Screw, #10-32 x 3/4"
35	04001-08	Bolt, Hex Head 5/16-18 x 3/4"
36	04030-03	Lockwasher, 5/16
37	04040-15	Flatwasher, 5/16-.375 x .875 x .083
38	423909	Backing Plate
39	481716	Rubber Pad, Clutch Stop
40	422534	Plate, Backing
41	48030-09	Clamp
42	483629	Fuse Holder
43	483571	Cover, Sealed Double
44	482588	Clip, Wire
45	483642	Double Fuse Assembly, Sealed (incl. items 2, 42, 43, 44)

HYDRAULIC PUMP ASSEMBLY



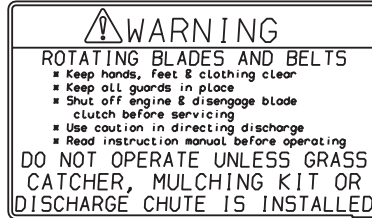
HYDRAULIC PUMP ASSEMBLY

Ref. No.	Part No.	Description
1	HG 70516	Housing Kit
2	HG 70573	End Cap Kit
3	HG 50641	Straight Headless Pin
4	HG 50969	Hex Flange Bolt, M8-1.25 x 60mm
5	HG 51232	Housing O-Ring
6	HG 2513027	Charge Pump Kit
7	HG 50273	Gerotor Assembly
8	HG 9004101-1340	O-Ring
9	HG 50095	Socket Head Screw, M6 x 1.0-20mm
10	HG 2513030	Bypass Valve Kit
11	HG 70521	Pumpshaft Kit
12	HG 50315	Ball Bearing, 17 x 40 x 12
13	HG 51161	Lip Seal
14	HG 50329	Retaining Ring
15	HG 50951	Spacer
16	HG 70331	Cylinder Block Kit
17	HG 2003014	Block Spring
18	HG 2003017	Block Thrust Washer
19	HG 51444	Valve Plate
20	HG 2003087	Swash Plate
21	HG 50551	Ball Thrust Bearing
22	HG 2003005	Trunnion Arm
23	HG 2000015	Slot Guide
24	HG 2510062	Check Valve Kit (.024" Orifice) port "A" on Left Hand Pump, port "B" on Right Hand Pump
25	HG 70403	Charge Relief Kit
26	HG 2513043	Trunnion Seal with Retainer
27	HG 9005110-4400	Straight Thread Plug
28	HG 50408	Straight Headless Pin
29	HG 70525	Overhaul Seal Kit
30	HG 70743	System Check Relief Kit, port "B" on Left Hand Pump, port "A" on Right Hand Pump

REPLACEMENT DECALS AND INFORMATION PLATES



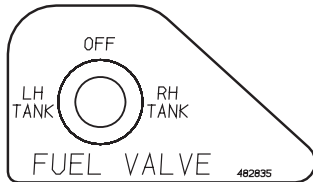
1



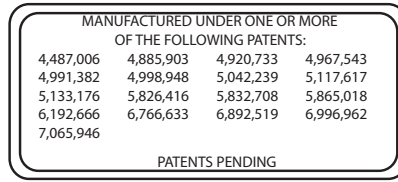
2



8



11



5



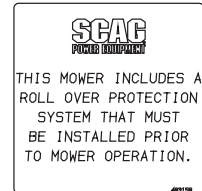
13



6



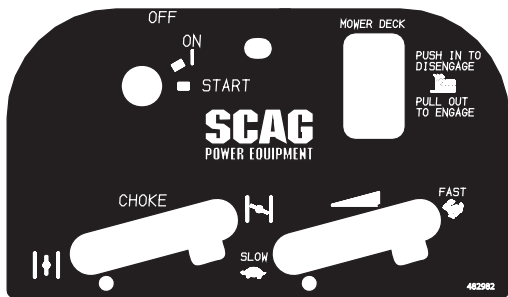
7



4



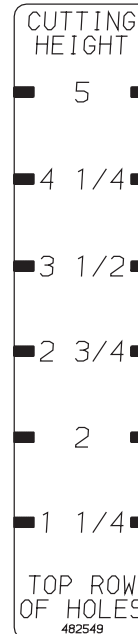
9



10



12

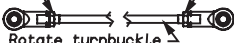


18

REPLACEMENT DECALS AND INFORMATION PLATES

Ref. No.	Part No.	Description
1	483407	Decal, Danger-Spinning Blades
2	483406	Decal, Warning-Rotating Blades
3	483199	Decal, 48V
	483200	Decal, 52V
	483201	Decal, 61V
4	483158	Decal, ROPS
5	483044	Decal, Patents
6	482100	Decal, Traction Control
7	481971	Decal, Heavy Duty Commercial
8	48404	Decal, Metalcraft - Made in USA
9	483402	Decal, Belt Cover
10	482982	Decal, Instrument Panel
11	482835	Decal, Fuel Valve Position
12	482566	Decal, Cutting Height Bottom Row of Holes
13	482578	Decal, Tiger Cub
14	482709	Decal, Seat Support
15	482579	Decal, Rear Bumper
16	482166	Decal, Front Footplate
17	483405	Decal, Discharge Chute
18	482549	Decal, Cutting Height Top Row of Holes
**	461983	Spanish Decal Kit, STC / STWC (not shown)

IMPORTANT ADJUSTMENT PROCEDURES
 READ OPERATOR'S MANUAL FOR MORE DETAILS
 Check tire pressure - (Drive tires-12 psi)
 - (Caster tires-25 psi)

NEUTRAL ADJUSTMENT
 Loosen jam nuts

 Rotate turnbuckle
 With an operator in the seat, engine running, control lever in neutral and the parking brake disengaged - adjust control linkage. Loosen jam nuts. If wheel rotates forward, adjust turnbuckle CW. If wheel rotates rearward, adjust turnbuckle CCW. Adjust until drive wheel stops turning. Tighten jam nuts. Repeat procedure until proper Neutral Adjustment is obtained.

TRACKING ADJUSTMENT
 If the machine pulls to the right, adjust LH control linkage CW to slow left wheel. If the machine pulls to the left adjust RH control linkage CW to slow right wheel. Readjust neutral if necessary.

FREE WHEEL OPERATION
 To move machine without running the engine, rotate both dump valves located at the LH side of the pumps CCW 1/2 turn to "freewheel" positions. Return dump valves to original position to operate the mower. Tighten to 7-10 ft.-lbs.

HYDRAULIC FLUID LEVEL
 Check hydraulic fluid level while fluid is cool. Fluid level should be 3" below top of filler neck. Fill with SAE 20W50 motor oil only.

IMPORTANT
 Do not overfill. Room for hot fluid expansion must be allowed or resulting expansion may cause leaks in the system.

482709

14



15



3

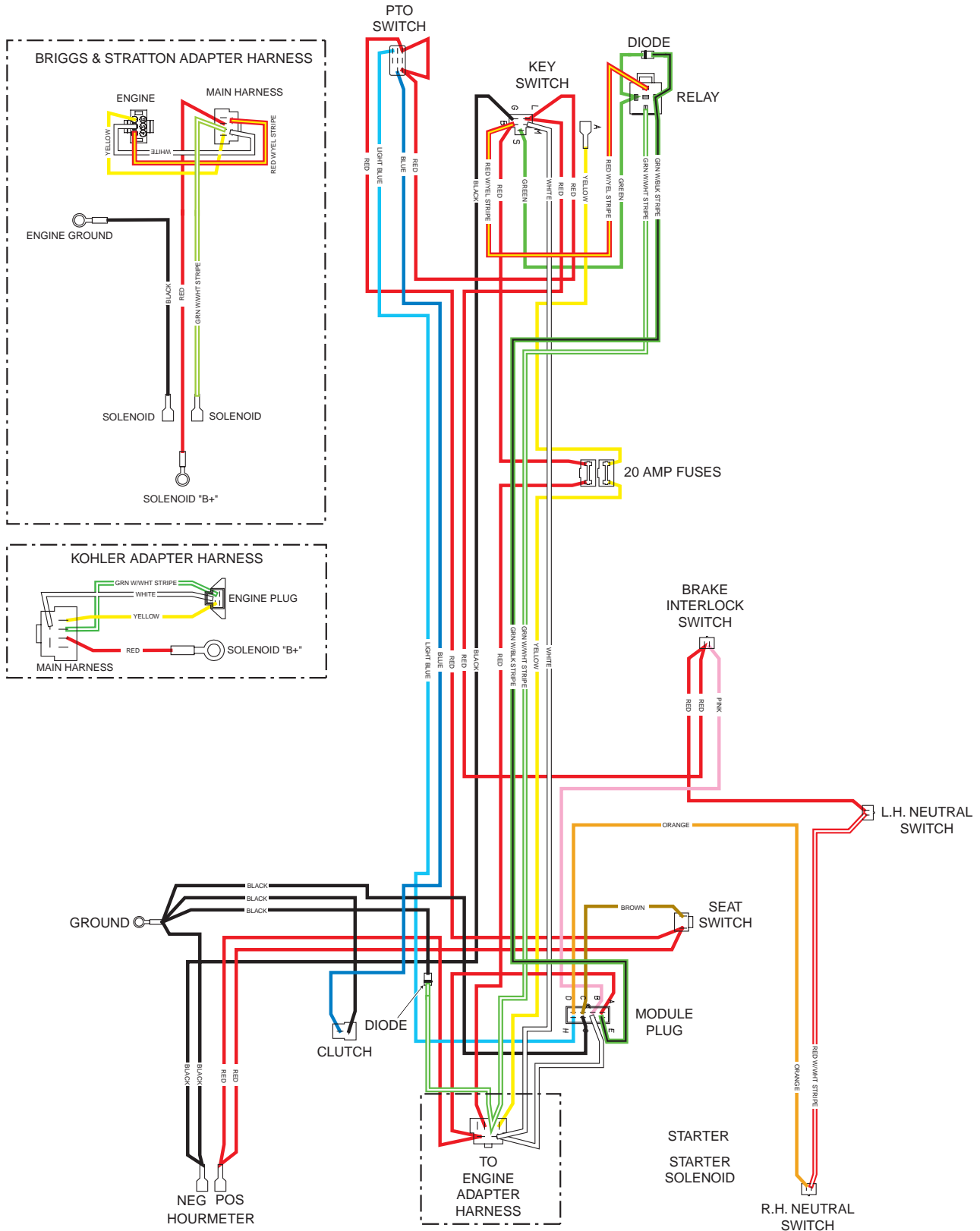


16



17

ELECTRICAL SCHEMATIC



2008 STC 26 ELS & 25CV Electrical Schematic